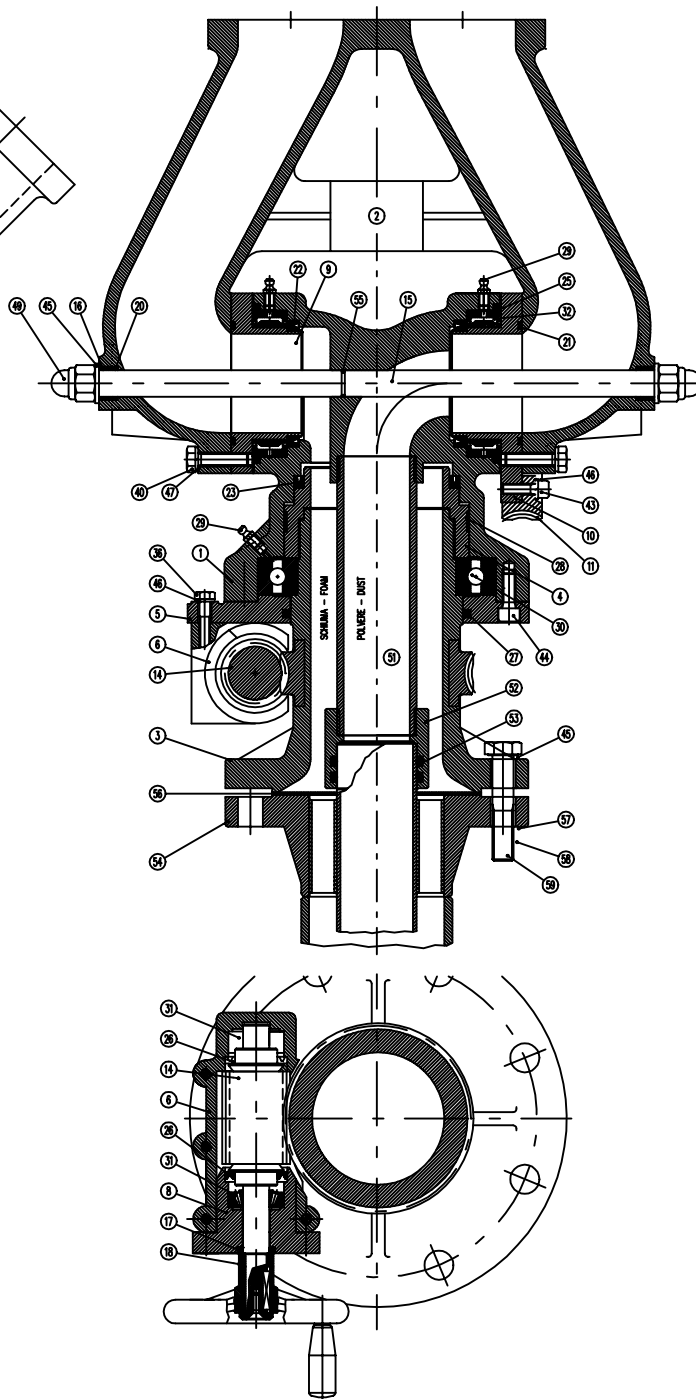
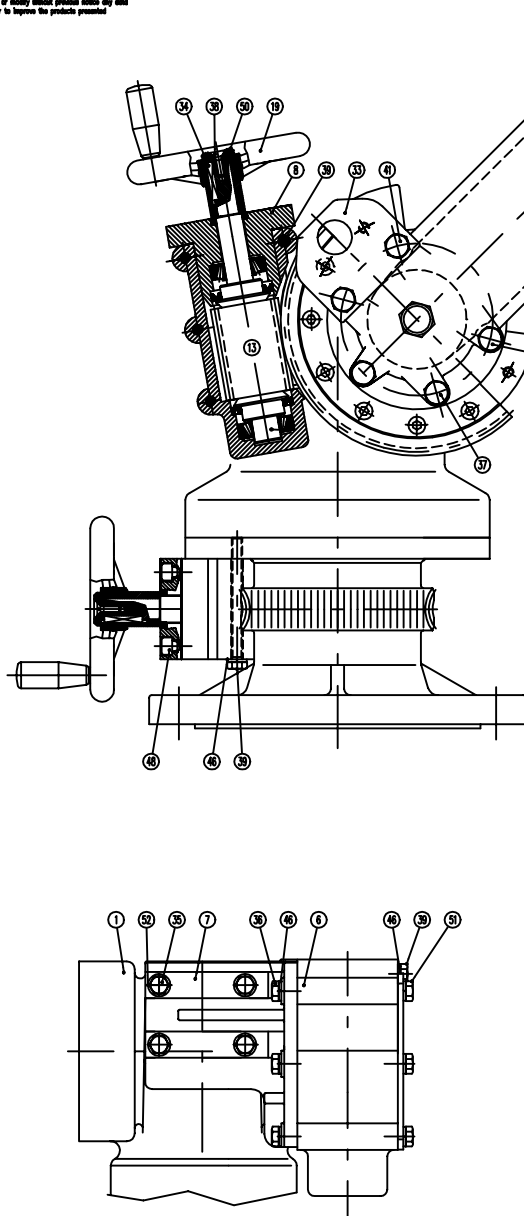


IMPORTANTE :
CACCIALANZA & C. S.p.A. si riserva il diritto di modificare senza preavviso le informazioni
contenute in questo disegno con il proposito di apportare miglioramenti alle prestazioni.

IMPORTANT :
CACCIALANZA & C. S.p.A. reserves the right to change or modify without previous notice any data
or specifications due to changes or modifications in order to improve the products presented.



POS.	DESCRIZIONE DESCRIPTION	Q.TA QTY	MATERIALE MATERIAL	DISEGNO DRAWING	INT. CODE	NOTE
1	CORPO CENTRALE CENTRAL BODY	1	LEGA LEGGERA LIGHT ALLOY	52850011	522506019	
2	CONFLUENZA CURVE BONE CONFLUENCE	1	LEGA LEGGERA LIGHT ALLOY	52850023	522506029	
3	IFFILO INGRESSO INLET RIFLE	1	LEGA LEGGERA LIGHT ALLOY	52310025	5228916019	
4	ANELLO SENZA DISCONEI BEARING RING	1	LEGA LEGGERA LIGHT ALLOY	52310027	5228916049	
5	PASTRINA FREMSIOPPA CLAMP RING PLATE	1	LEGA LEGGERA LIGHT ALLOY	52310028	5228916059	
6	SCATOLA PER MADREVITE GEAR BOX	2	LEGA LEGGERA LIGHT ALLOY	52310045	5228916089	
7	SUPPORTO GRUPPO ALZO ELEVATOR GROUP SUPPORT	1	LEGA LEGGERA LIGHT ALLOY	52310029	5228916099	
8	PASTRINA FISSAGGIO ALBERI SHAFT FIXING PLATE	2	LEGA LEGGERA LIGHT ALLOY	52200715	5220016100	
9	FREMSIOPPA CLAMP	1	LEGA LEGGERA LIGHT ALLOY	52310042	5228916139	
10	FREMSIOPPA PORTA RUOTA LOCKING GEAR WHEEL	1	LEGA LEGGERA LIGHT ALLOY	52310040	5228916149	
11	1/2 RUOTA DENTATA RAPP. 1-80 HALF GEAR WHEEL RATIO 1-80	1	BRONZO BRASS	52290641	5068190019	
12	RONDELLA PLANIA PER VITE M8 PLAIN WASHER FOR SCREW M8	4	ACC. AL CARBONIO ZNC. OVALY. CARBON STEEL		6016060009	
13	VITE CON ALBERO PER ALZO ELEVATOR SCREW	1	ACC. AL CARBONIO CARBON STEEL	52310031	5228916019	
14	VITE CON ALBERO PER ROTAZIONE ROTATION SCREW	1	ACC. AL CARBONIO CARBON STEEL	52310032	5228916029	
15	ASTA DI INNEVICO CURVE CENTRAL BODY DRIVE PIN	1	ACC. INOX AISI 304 ST. STEEL AISI 304	52850021	5225043030	
16	BUSSELLA CONFLUENZA CURVE BONE CONFLUENCE BRUSH	2	ACC. INOX AISI 304 ST. STEEL AISI 304	52280029	5200010159	
17	ANELLO FAG TIPO BH 20 x 28 x 4 RING DI 20 x 28 x 4 FAG TYPE	2			5013200809	
18	DISTANZIALE PER VOLANTINO WASHER SPACER	2	LEGA LEGGERA LIGHT ALLOY	52280713	5220840019	
19	VOLANTINO PER F241 HANDWHEEL NR. 201 F241	2		52280716	5228916079	
20	ANELLO O-RING 4075 O-RING GRESIT 4075 TYPE	2	NBR NBR		5001407509	
21	ANELLO O-RING 4337 O-RING GRESIT 4337 TYPE	2	NBR NBR		5001433709	
22	ANELLO H 80-16 - 80 x 25 x 7.5 RING H 80-16 - 80 x 25 x 7.5	2			500200199	
23	ANELLO H 110-10 - 110 x 125 x 7.5 RING H 110-10 - 110 x 125 x 7.5	1			500210100	
24	ANELLO OR 2088 817.17 x 1.78 O-RING 2088 817.17 x 1.78 TYPE	1	NBR NBR		5001208809	
25	ANELLO O-RING 185 O-RING GRESIT 185	2	NBR NBR		5001018309	
26	ANELLO TIPO AS 3477 O-RING GRESIT 3477	4	NBR NBR		5015047019	
27	ANELLO O-RING 208 O-RING GRESIT 208	1	NBR NBR		5001020209	
28	SEALIA LUBRIFON 407 H 15 x 2 x 450 LUBRIFON 407 H 15 x 2 x 450	1	TEFLON CARBON STEEL	5039152009		
29	IMPIASTATORE TIPO Z78 M 8 BALL BEARING 0204 TYPE	3	ACC. AL CARBONIO CARBON STEEL		5057008009	
30	DISCONEI A SERRA TIPO 6024 BALL BEARING 6024 TYPE	4	ACC. TEMPERATO HARDENED STEEL		5060060249	
31	DISCONEI A RULLI CONNO TIPO 1000 4 x TAPER ROLLER BEARING 1000 4 x 1/8	4	ACC. TEMPERATO HARDENED STEEL		5060020049	
32	DISCONEI A RULLINI TIPO NR. 60/25A ROLLER BEARING NR. 60/25A TYPE	2	ACC. TEMPERATO HARDENED STEEL		5060003009	
33	COLFARE DI SOLLEVAMENTO LIFTING YOKER	2	ACC. INOX AISI 304 ST. STEEL AISI 304	52320424	5225040009	
34	CHARIETTA VITE 6024-60 5 x 5 x 30 SL. W. BRASS 6024-60 5 x 5 x 30	2	ACC. AL CARBONIO OVALY. CARBON STEEL		6571010409	
35	VITE T.E. M 8 x 30 ZINCATO CARBON HEAD SCREW M 8 x 30	4	ACC. AL CARBONIO ZNC. OVALY. CARBON STEEL		6002080309	
36	VITE T.E. M 8 x 35 HEXAGONAL HEAD SCREW M 8 x 35	8	ACC. AL CARBONIO ZNC. OVALY. CARBON STEEL		6002080359	
37	VITE T.E. M 10 x 35 HEXAGONAL HEAD SCREW M 10 x 35	4	ACC. AL CARBONIO ZNC. OVALY. CARBON STEEL		6002070359	
38	VITE T.E. CON ESAG. INCASSATO M 5 x 25 FLAT SCREW WITH RECESSED HEAD M 5 x 25	2	ACC. AL CARBONIO ZNC. OVALY. CARBON STEEL		6005030259	
39	VITE T.E. M 8 x 50 HEXAGONAL HEAD SCREW M 8 x 50	2	ACC. AL CARBONIO ZNC. OVALY. CARBON STEEL		6003080909	
40	VITE T.E. M 10 x 40 HEXAGONAL HEAD SCREW M 10 x 40	2	ACC. AL CARBONIO ZNC. OVALY. CARBON STEEL		6003070409	
41	VITE T.E. M 10 x 110 HEXAGONAL HEAD SCREW M 10 x 110	2	ACC. AL CARBONIO ZNC. OVALY. CARBON STEEL		6003071109	
42	VITE T.E. M 10 x 100 HEXAGONAL HEAD SCREW M 10 x 100	2	ACC. AL CARBONIO ZNC. OVALY. CARBON STEEL		6003071009	
43	VITE T.E. CON ESAG. INCASSATO M 8 x 25 SCREW WITH RECESSED HEAD M 8 x 25	6	ACC. AL CARBONIO ZNC. OVALY. CARBON STEEL		6004000259	
44	VITE T.E. CON ESAG. INCASSATO M 10 x 30 SCREW WITH RECESSED HEAD M 10 x 30	8	ACC. AL CARBONIO ZNC. OVALY. CARBON STEEL		6004070309	
45	RONDELLA PLANIA PER VITE M 8 PLAIN WASHER FOR SCREW M 8	10	ACC. AL CARBONIO ZNC. OVALY. CARBON STEEL		6016100009	
46	RONDELLA GROSSER PER VITE M 8 GROSSER WASHER FOR SCREW M 8	16	ACC. AL CARBONIO ZNC. OVALY. CARBON STEEL		6017000009	
47	RONDELLA GROSSER PER VITE M 10 GROSSER WASHER FOR SCREW M 10	10	ACC. AL CARBONIO ZNC. OVALY. CARBON STEEL		6017070009	
48	VITE T.E. CON ESAG. INCASSATO M 8 x 20 CH. SCREW WITH RECESSED HEAD M 8 x 20	8	ACC. AL CARBONIO ZNC. OVALY. CARBON STEEL		6004080209	
49	DADO CROCI M16 FLANG. M16	2	ACC. AL CARBONIO ZNC. OVALY. CARBON STEEL		6030100009	
50	RONDELLA "FLESA" TIPO GH 184-25 -M5 WASHER "FLESA" GH 184-25 TYPE -M5	2	ACC. AL CARBONIO CARBON STEEL		5014080549	
51	TURBO DI GRADAZIONE CORRECTION PIPE	1	LEGA LEGGERA LIGHT ALLOY	52850022		
52	GIUNTO JOINT	1	LEGA LEGGERA LIGHT ALLOY	52850016	5225040019	
53	ANELLO OR 6237 650.80 x 5.33 O-RING 6237 650.80 x 5.33 TYPE	2	NBR NBR		5001623709	
54	FLANGIA D'ALIMENTAZIONE INLET FLANGE	1	ACC. AL CARB./ACC. INOX CARBON STEEL/ST. STEEL	52850016		
55	ANELLO OR 2088 817.17 x 1.78 O-RING 2088 817.17 x 1.78	1	NBR NBR		5001208809	
56	GIUNZIONE Ø602 x 108 x 2 RESISTOR 602 x 108 x 2	1	ESENTI AMIANTO RESISTOR		5031019009	
57	RONDELLA GROSSER PER VITE M16 GROSSER WASHER FOR SCREW M16	8	ACC. AL CARBONIO ZNC. OVALY. CARBON STEEL		6017100009	
58	DADO ESAGONALE M16 HEXAGONAL M16	8	ACC. AL CARBONIO ZNC. OVALY. CARBON STEEL		6029100009	
59	VITE T.E. M16 x 70 1/2 FL. HEXAGONAL HEAD SCREW M16 x 70 1/2 INHEADED	8	ACC. AL CARBONIO ZNC. OVALY. CARBON STEEL		6003100709	

Rev.	Date	Description	Drawn	Checked	Approved
1	07.10.98	Modificato dove Δ - Modified where Δ	MS	MP	MB
0	14.11.97	Emesso-issued	MP	MB	

CACCIALANZA & C. s.p.a.		Client / Project	
ARRETRATO NECESSARIO AUTOMANTENIMENTO SPARE PARTS REQUIRED		Titolo MONITORE TIPO AS4 D.A. ESECUZIONE IN LEGA LEGGERA ASSEMBLY GENERALE - PARTI COMPONENTI MONITOR AS4 D.A. TYPE LIGHT ALLOY EXECUTION GENERAL ASSEMBLY - PARTS LIST	
Drawn	14.11.97 MP	Scale	1:2
Checked	14.11.97 MB	Drawn	
Approved		Client / Project	
Code		Rev.	1
		Sheet	1

THIS DRAWING IS THE PROPERTY OF CACCIALANZA & C. S.p.A. AND IS NOT TO BE REPRODUCED OR USED TO PROMOTE ANY INFORMATION FOR TRADE OR BUSINESS ON APPROVAL EXCEPT THOSE PROVIDED FOR BY AGREEMENT WITH OUR COMPANY