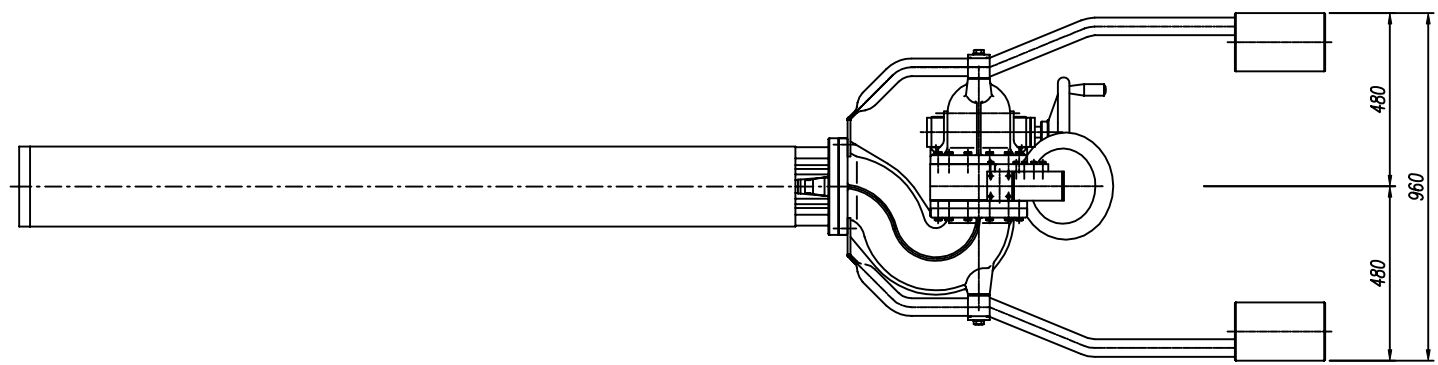


IMPORTANTE :
 CACCIALANZA & C. S.p.A. si riserva il diritto di modificare senza preavviso le informazioni contenute su questa scheda con il proposito di apportare miglioramenti alla produzione

IMPORTANT :
 CACCIALANZA & C. S.p.A. reserves the right to change or modify without previous notice any data or specification due to changes or modification in order to improve the products presented

| | | | |
|-------------------------------------|---------|-------------------------------------|---|
| A 20000 | 2100 | 20000 | 14.0 |
| A 15000 | 2100 | 15000 | 12.2 |
| A 12000 | 2100 | 12000 | 11.5 |
| CANNA SCHIUMA TIPO FOAM GUN TYPE | A mm | PORTATA l/min.' FLOWRATE l/min.' | PRESSIONE (FLG. INGRESSO) PRESSURE (AT INLET FLG.) |



NOTE:

- * - A RICHIESTA FLG. Ø 6" ANSI 150 Lbs RF - FLGD. Ø 6" ANSI 150 Lbs RF ON REQUEST
- * - A RICHIESTA FLG. Ø 8" ANSI 150 Lbs RF - FLGD. Ø 8" ANSI 150 Lbs RF ON REQUEST
- * - A RICHIESTA FLG. UNI/DIN DN 150 PN 16 - FLGD. UNI/DIN DN 150 PN 16 ON REQUEST
- * - A RICHIESTA FLG. UNI/DIN DN 200 PN 16 - FLGD. UNI/DIN DN 200 PN 16 ON REQUEST

| Pos. | Descrizione Description | Q.ty | Materiale Material | Code Drawing | Note |
|------|---|------|-----------------------|-----------------|------|
| 5 | CANNA SCHIUMA TIPO "A" FOAM GUN "A" TYPE | 1 | | | |
| 4 | VOLANTINO PER ROTAZIONE HANDWHEEL FOR ROTATION | 1 | | | |
| 3 | VOLANTINO PER ALZO HANDWHEEL FOR ELEVATION | 1 | | | |
| 2 | FLANGIA D'INGRESSO INLET FLANGE | 1 | | | * |
| 1 | MONITORE TIPO AS6 MONITOR AS6 TYPE | 1 | | | |

| 0 | 01.06.1999 | Emesso - Issued | MS | MB | |
|--|------------|-----------------|--|---------|--------------|
| Rev. | Date | Description | Drawn | Checked | Approved |
| CACCIALANZA & C. <small>s.p.a.</small> ANTINCENDIO SICUREZZA ANTINQUINAMENTO SEGRATE (MILANO) - ITALY | | | Client / Project | | |
| Drawn 01.06.99 M. SPADA Checked 01.06.99 M. BARBIERI Approved | | | Title MONITORE TIPO AS6 CON CANNA SCHIUMA TIPO "A" ASSIEME GENERALE MONITOR AS6 TYPE WITH FOAM GUN "A" TYPE GENERAL ASSEMBLY | | |
| Code | | Sys. | Size | Scale | Dwg nr. |
| | | | A3 | 1:15 | 52479904 |
| | | | | | Rev. 0 |
| | | | | | Sheet 1 of 1 |

THIS DRAWING IS THE PROPERTY OF CACCIALANZA & C. S.p.A. AND IS NOT TO BE REPRODUCED OR USED TO FURNISH ANY INFORMATION FOR MAKING OF DRAWINGS OR APPARATUS EXCEPT WHERE PROVIDED FOR BY AGREEMENT WITH SAID COMPANY