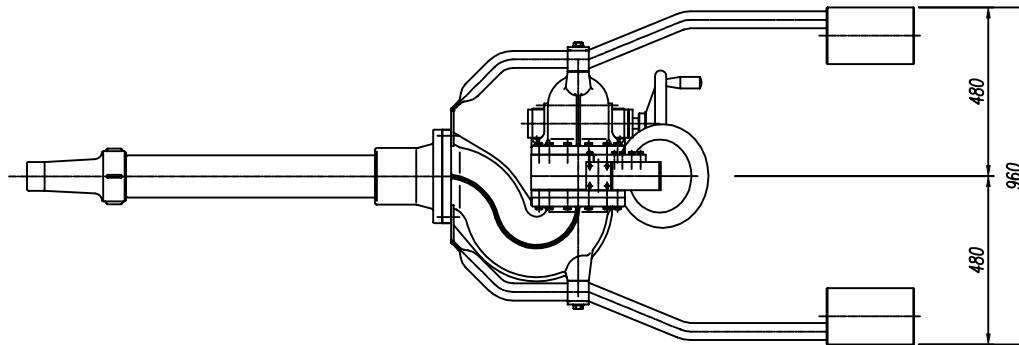
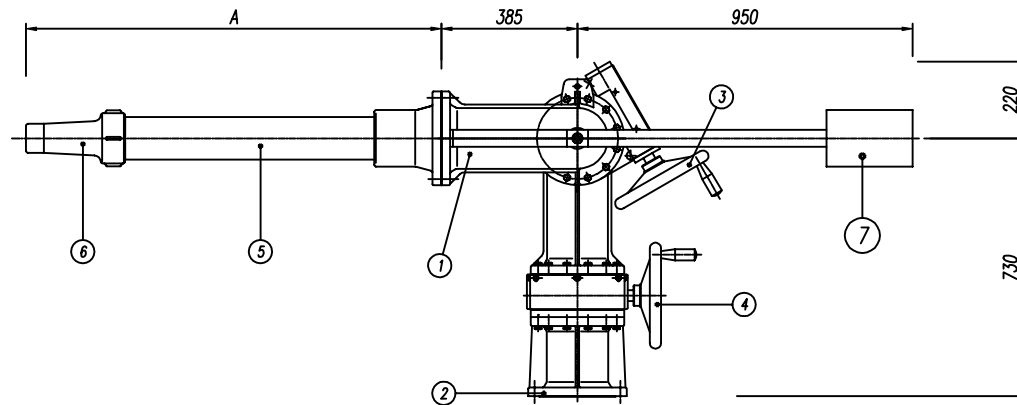


IMPORTANTE :

CACCIALANZA & C. S.p.A. si riserva il diritto di modificare senza preavviso le informazioni contenute su questa scheda con il proposito di apportare miglioramenti alla produzione

IMPORTANT :

CACCIALANZA & C. S.p.A. reserves the right to change or modify without previous notice any data or specification due to changes or modification in order to improve the products presented



I 8000	1175	8000	10.7
I 7000	1175	7000	10.5
I 6000	1175	6000	10.4
I 5000	1175	5000	8.3
CANNA IDRICA TIPO WATER GUN TYPE	A mm	PORTATA l/min. FLOWRATE l/min.	PRESSIONE (FLG. INGRESSO) PRESSURE (AT INLET FLG.)

NOTE:

- * - A RICHIESTA FLG. Ø 6" ANSI 150 Lbs RF - FLGD. Ø 6" ANSI 150 Lbs RF ON REQUEST
- * - A RICHIESTA FLG. Ø 8" ANSI 150 Lbs RF - FLGD. Ø 8" ANSI 150 Lbs RF ON REQUEST
- * - A RICHIESTA FLG. UNI/DIN DN 150 PN 16 - FLGD. UNI/DIN DN 150 PN 16 ON REQUEST
- * - A RICHIESTA FLG. UNI/DIN DN 200 PN 16 - FLGD. UNI/DIN DN 200 PN 16 ON REQUEST

POS.	DESCRIZIONE DESCRIPTION	Q.TA Q.TY	MATERIALE MATERIAL	INT. CODE	NOTE
7	CONTRAPPESO COUNTER WEIGHT	1			
6	BOCCELLO GETTO PIENO TIPO "F" FULL JET NOZZLE "F" TYPE	1			
5	CANNA IDRICA WATER GUN	1			
4	VOLANTINO PER ROTAZIONE HANDWHEEL FOR ROTATION	1			
3	VOLANTINO PER ALZO HANDWHEEL FOR ELEVATION	1			
2	FLANGIA D'INGRESSO INLET FLANGE	1			*
1	MONITORE TIPO A6-EL MONITOR A6-EL TYPE	1			

0	31.05.1999	Emesso - Issued	GM	MB	
Rev.	Date	Description	Drawn	Checked	Approved
CACCIALANZA & C. s.p.a. ANTINCENDIO SICUREZZA ANTINQUINAMENTO SEGRATE (MILANO) - ITALY		Client / Project			
Date 31.05.99 Name GM Checked 31.05.99 MB Approved		Title MONITORE TIPO AS6 CON CANNA IDRICA E BOCCELLO TIPO "F" ASSIEME GENERALE MONITOR AS6 TYPE WITH WATER GUN & NOZZLE "F" TYPE GENERAL ASSEMBLY			
Code	Sys.	Size A3	Scale 1:15	Dwg nr. 52479901	Rev. 0
					Sheet 1 of 1
THIS DRAWING IS THE PROPERTY OF CACCIALANZA & C. S.p.A. AND IS NOT TO BE REPRODUCED OR USED TO FURNISH ANY INFORMATION FOR MAKING OF DRAWINGS OR APPARATUS EXCEPT WHERE PROVIDED FOR BY AGREEMENT WITH SAID COMPANY					