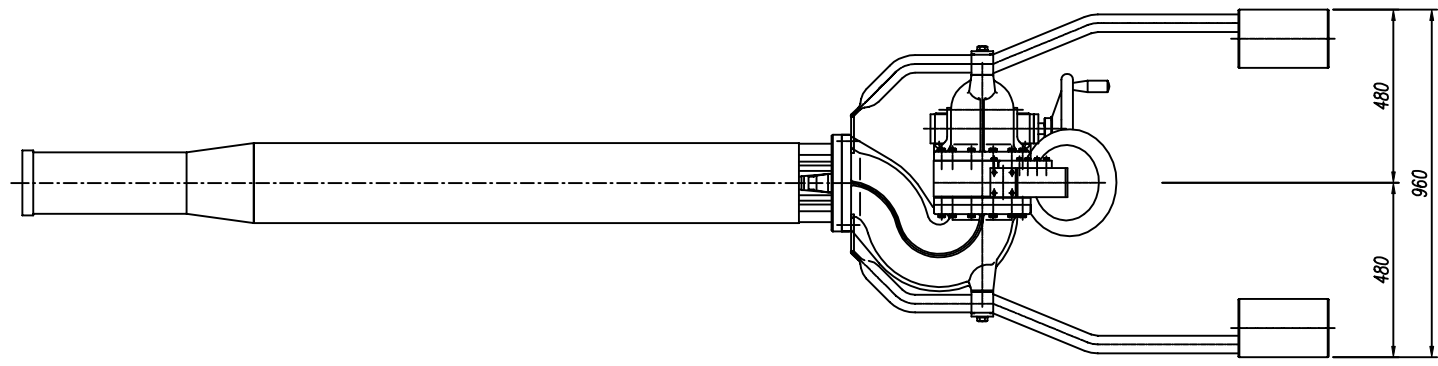


IMPORTANTE :
 CACCIALANZA & C. SpA. si riserva il diritto di modificare senza preavviso le informazioni contenute su questa scheda con il proposito di apportare miglioramenti alla produzione

IMPORTANT :
 CACCIALANZA & C. SpA. reserves the right to change or modify without previous notice any data or specification due to changes or modification in order to improve the products presented

| | | | |
|-------------------------------------|---------|-----------------------------------|---|
| A 10000 | 1600 | 10000 | 11.0 |
| A 8000 | 1600 | 8000 | 10.7 |
| A 7000 | 1600 | 7000 | 10.5 |
| CANNA SCHIUMA TIPO FOAM GUN TYPE | A mm | PORTATA l/min. FLOWRATE l/min. | PRESSIONE (FLG. INGRESSO) PRESSURE (AT INLET FLG.) |



NOTE:
 * - A RICHIESTA FLG. Ø 6" ANSI 150 Lbs RF - FLGD. Ø 6" ANSI 150 Lbs RF ON REQUEST
 * - A RICHIESTA FLG. Ø 8" ANSI 150 Lbs RF - FLGD. Ø 8" ANSI 150 Lbs RF ON REQUEST
 * - A RICHIESTA FLG. UNI/DIN DN 150 PN 16 - FLGD. UNI/DIN DN 150 PN 16 ON REQUEST
 * - A RICHIESTA FLG. UNI/DIN DN 200 PN 16 - FLGD. UNI/DIN DN 200 PN 16 ON REQUEST

| POS. | DESCRIZIONE DESCRIPTION | Q.TA Q.TY | MATERIALE MATERIAL | INT. CODE | NOTE |
|------|---|--------------|-----------------------|-----------|------|
| 5 | CANNA SCHIUMA TIPO "A" FOAM GUN "A" TYPE | 1 | | | |
| 4 | VOLANTINO PER ROTAZIONE HANDWHEEL FOR ROTATION | 1 | | | |
| 3 | VOLANTINO PER ALZO HANDWHEEL FOR ELEVATION | 1 | | | |
| 2 | FLANGIA D'INGRESSO INLET FLANGE | 1 | | | * |
| 1 | MONITORE TIPO AS6 MONITOR AS6 TYPE | 1 | | | |

| 0 | 31.05.1999 | | | GM | MB | |
|---|------------|-------------|--|---------|----------|--------------|
| Rev. | Date | Description | Drawn | Checked | Approved | |
| CACCIALANZA & C. s.p.a. ANTINCENDIO SICUREZZA ANTINQUINAMENTO SEGRATE (MILANO) - ITALY | | | Client / Project | | | |
| Drawn 31.05.99 G. MARINUCCI Checked 31.05.99 M. BARBIERI Approved | | | Title MONITORE TIPO AS6 CON CANNA SCHIUMA TIPO "A" ASSIEME GENERALE MONITOR AS6 TYPE WITH FOAM GUN "A" TYPE GENERAL ASSEMBLY | | | |
| Code | | Sys. | Size | Scale | Dwg nr. | Rev. |
| | | | A3 | 1:15 | 52479896 | 0 |
| | | | | | | Sheet 1 of 1 |

THIS DRAWING IS THE PROPERTY OF CACCIALANZA & C. SpA. AND IS NOT TO BE REPRODUCED OR USED TO FURNISH ANY INFORMATION FOR MAKING OF DRAWINGS OR APPARATUS EXCEPT WHERE PROVIDED FOR BY AGREEMENT WITH SAID COMPANY