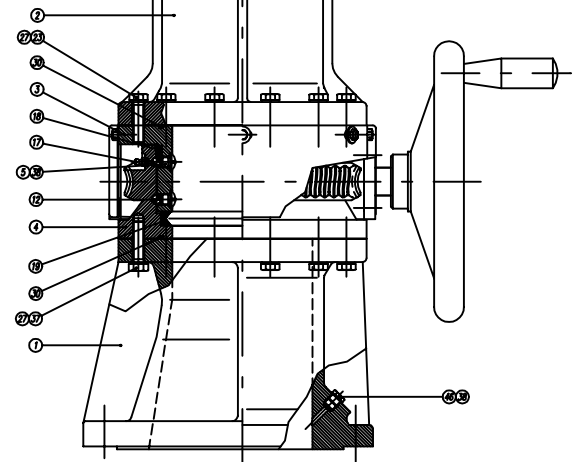
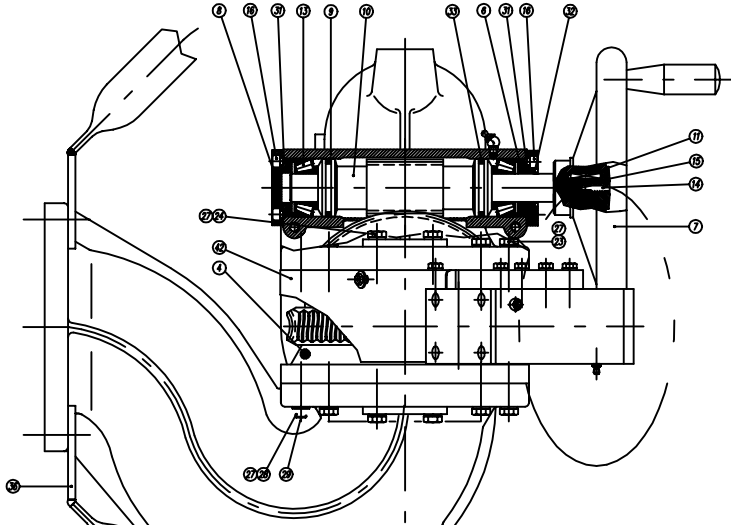
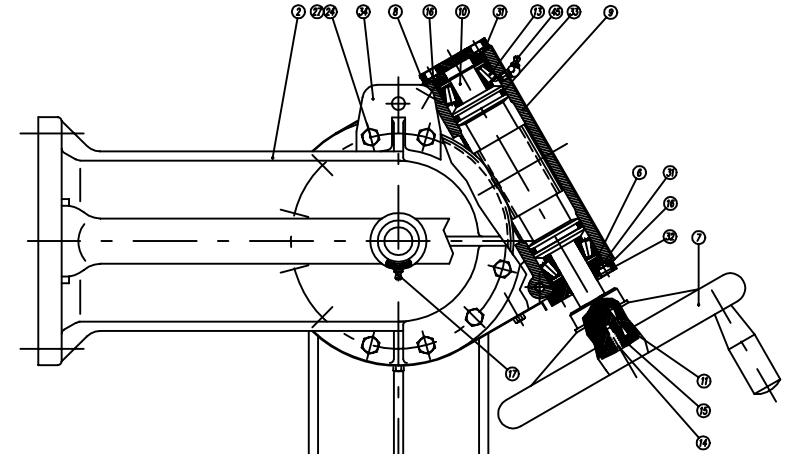
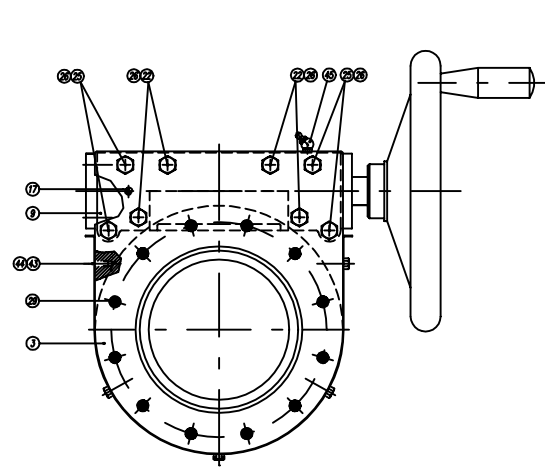


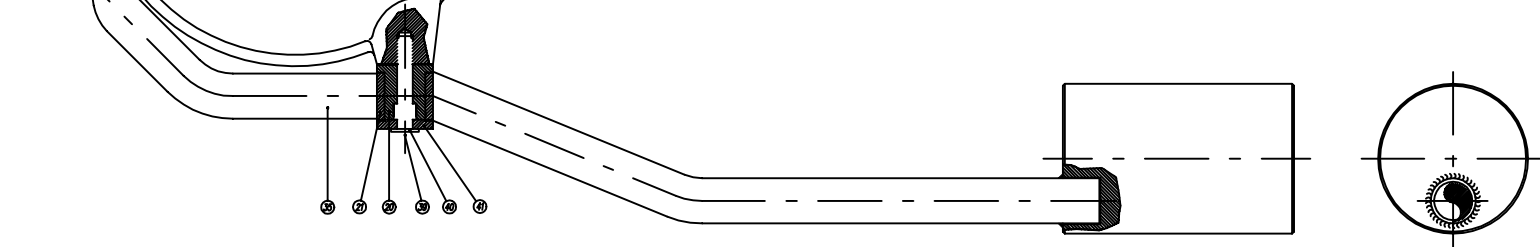
NOTE: CONSTRUCTION & C. T.O. of every 1.500 g of material must be provided in order to qualify the design in order to improve the product quality.

NOTE: CONSTRUCTION & C. T.O. of every 1.500 g of material must be provided in order to qualify the design in order to improve the product quality.



FLG TO DN200 UNI PH16
FLG # 8" ANSI 150 Lbs

FLG TO DN150 UNI PH16
FLG # 8" ANSI 150 Lbs



PKG.	ITEM NO.	QTY	DESCRIPTION	UNIT	ITEM NO.	QTY	DESCRIPTION	UNIT	REMARKS
1	...	1	1-2
2	...	2	
3	...	2	
4	...	2	
5	...	2	
6	...	4	
7	...	2	
8	...	2	
9	...	2	
10	...	2	
11	...	2	
12	...	2	
13	...	2	
14	...	2	
15	...	2	
16	...	2	
17	...	2	
18	...	2	
19	...	2	
20	...	2	
21	...	2	
22	...	2	
23	...	2	
24	...	2	
25	...	2	
26	...	2	
27	...	2	
28	...	2	
29	...	2	
30	...	2	
31	...	2	
32	...	2	
33	...	2	
34	...	2	
35	...	2	
36	...	2	
37	...	2	
38	...	2	
39	...	2	
40	...	2	
41	...	2	
42	...	2	
43	...	2	
44	...	2	
45	...	2	
46	...	2	
47	...	2	
48	...	2	
49	...	2	
50	...	2	

NOTE:

1 - PER ECSE: 6" ANSI 150 Lbs WF (DN150 UNI PH16) VEDI REG. N. 52470025
 PER 6" ANSI 150 Lbs WF (DN150 UNI PH16) DESCRIZIONE SEE REG. N. 52470025
 INT. CODE: 52300000 (6" ANSI 150 LBS WF)
 52300010 (DN150 UNI PH16)

2 - PER ECSE: 6" ANSI 150 Lbs WF (DN200 UNI PH16) VEDI REG. N. 52470030
 PER 6" ANSI 150 Lbs WF (DN200 UNI PH16) DESCRIZIONE SEE REG. N. 52470030
 INT. CODE: 52300000 (6" ANSI 150 LBS WF)
 52300020 (DN200 UNI PH16)

D 15.05.07		Disegno - Disegno				
Dis.	Rev.	Rev.	Rev.	Rev.	Rev.	Rev.
CACCIALANZA & C. s.p.a.						
Via M. V. S. 12		MONITOR TIPO AND ESCOUCOIN AL LISA LEMERA				
00000000		ASSEMBLAGE GÉNÉRAL - PARTS COMPONENT				
		MONITOR AIR TIC UNIT ALLIY ESCOUCOIN				
		GENERAL ASSEMBLY - PARTS LIST				
Scale	1:2	Scale	1:2	Scale	1:2	Scale
Code	52470001	Code	52470001	Code	52470001	Code