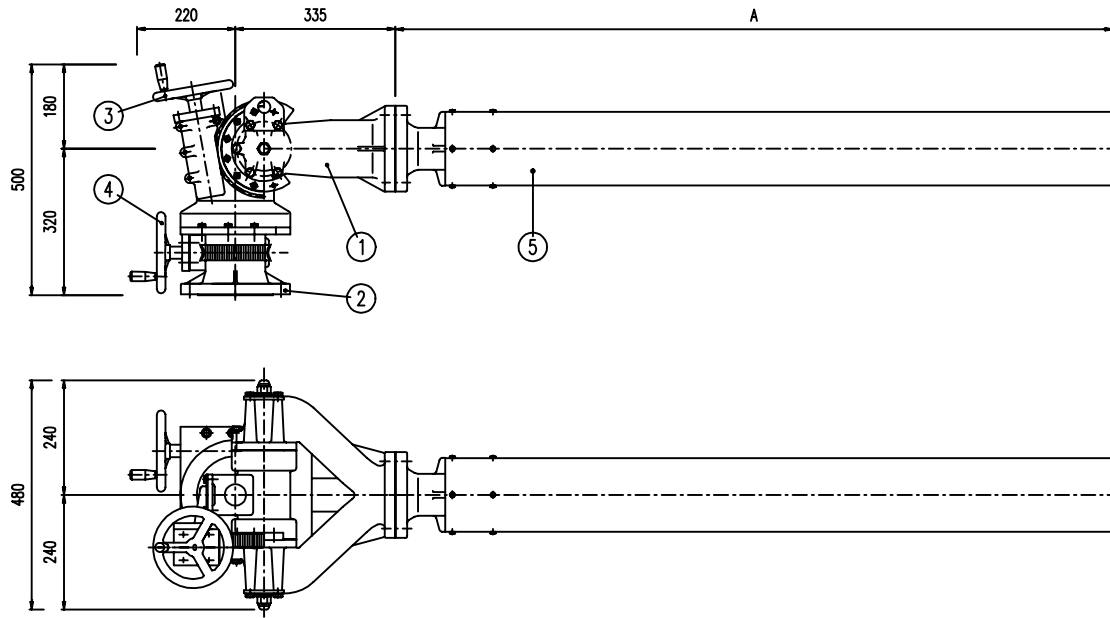


IMPORTANTE :

CACCIALANZA & C. SpA. si riserva il diritto di modificare senza preavviso le informazioni contenute su questa scheda con il proposito di apportare miglioramenti alla produzione

IMPORTANT :

CACCIALANZA & C. SpA. reserves the right to change or modify without previous notice any data or specification due to changes or modification in order to improve the products presented



A 6000	1600	6000	10.2
A 5000	1500	5000	9.5
A 4000	1500	4000	9.0
A 3000	1100	3000	8.6
A 2400	1100	2400	8.4
A 2000	1100	2000	8.3
CANNA SCHIUMA TIPO FOAM GUN TYPE	A mm	PORTATA l/min.' FLOWRATE l/min.'	PRESSIONE (FLG. INGRESSO) PRESSURE (AT INLET FLG.)

NOTE:

- * - A RICHIESTA FLG. Ø 4" ANSI 150 Lbs RF - FLGD. Ø 4" ANSI 150 Lbs RF ON REQUEST
- * - A RICHIESTA FLG. Ø 6" ANSI 150 Lbs RF - FLGD. Ø 6" ANSI 150 Lbs RF ON REQUEST
- * - A RICHIESTA FLG. UNI/DIN DN 100 PN 16 - FLGD. UNI/DIN DN 100 PN 16 ON REQUEST
- * - A RICHIESTA FLG. UNI/DIN DN 150 PN 16 - FLGD. UNI/DIN DN 150 PN 16 ON REQUEST

POS.	DESCRIZIONE DESCRIPTION	Q.TA Q.TY	MATERIALE MATERIAL	INT. CODE	NOTE
5	CANNA SCHIUMA TIPO "A" FOAM GUN "A" TYPE	1			
4	VOLANTINO PER ROTAZIONE HANDWHEEL FOR ROTATION	1			
3	VOLANTINO PER ALZO HANDWHEEL FOR ELEVATION	1			
2	FLANGIA INGRESSO INLET FLANGE	1			*
1	MONITORE TIPO AS4 MONITOR AS4 TYPE	1			

0	12.05.97	Emesso - Issued		MP	MB	PT
Rev.	Date	Description	Drawn	Checked	Approved	
CACCIALANZA & C. SpA ANTINCENDIO SICUREZZA ANTINQUINAMENTO SEGRATE (MILANO) - ITALY		Client / Project				
Drawn		Date	Name			
Checked		12.05.97	M. PERCELSI			
Approved		12.05.97	P. TESTA			
Code		Sys.	Size	Scale	Dwg nr.	Rev.
			A3	1:10	52299912	0
						Sheet of
						1 1
THIS DRAWING IS THE PROPERTY OF CACCIALANZA & C. S.p.A. AND IS NOT TO BE REPRODUCED OR USED TO FURNISH ANY INFORMATION FOR MAKING OF DRAWINGS OR APPARATUS EXCEPT WHERE PROVIDED FOR BY AGREEMENT WITH SAID COMPANY						