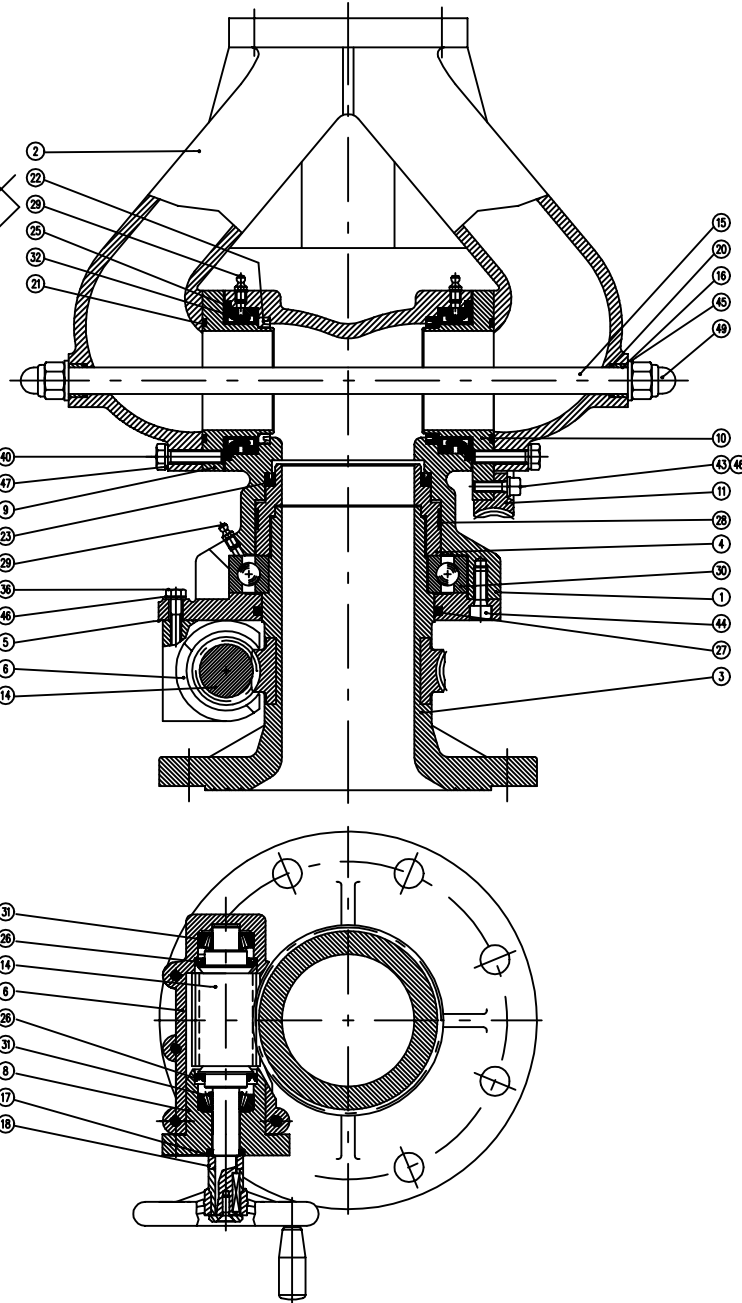
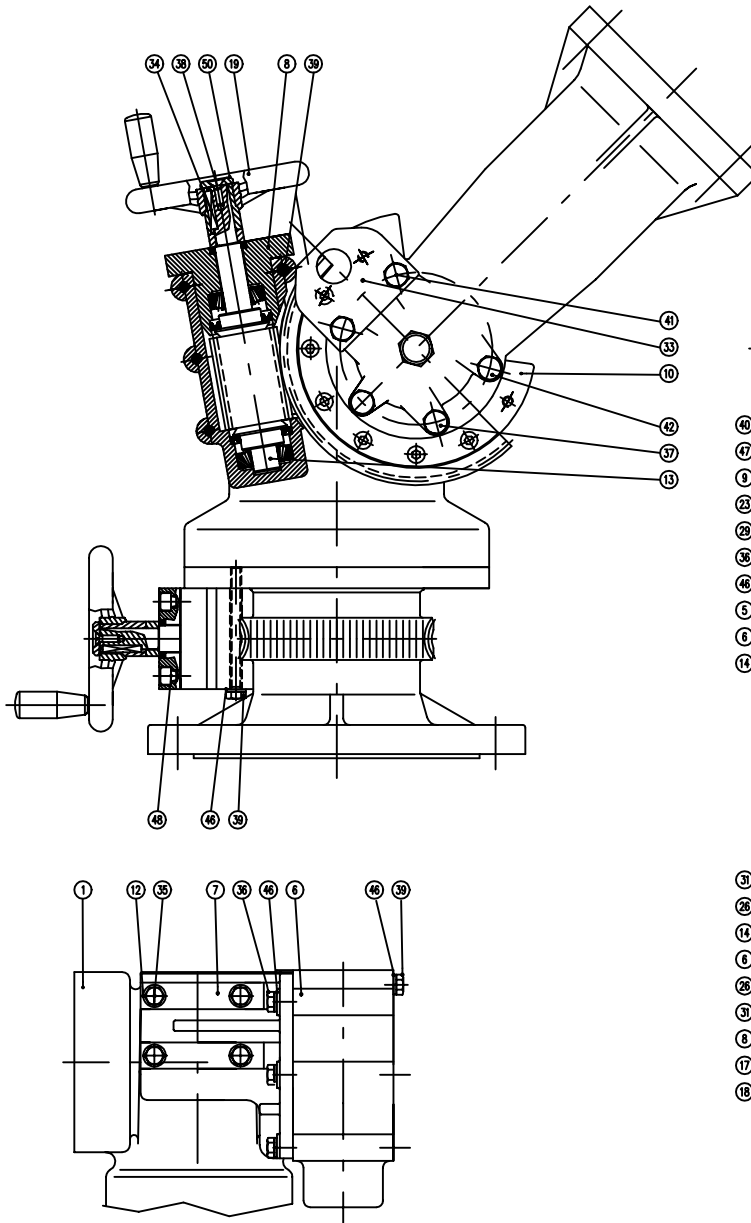


INFORMANTE :
CACCIALANZA & C. S.p.A. si riserva il diritto di modificare senza preavviso le informazioni
contenute in questo catalogo con il proposito di apportare miglioramenti alle macchine.

IMPORTANT :
CACCIALANZA & C. S.p.A. reserves the right to change or modify without previous notice any data
or specifications due to changes or modifications in order to improve the products presented.



| POS. | DESCRIZIONE DESCRIPTION | Q.TA QTY | MATERIALE MATERIAL | DISEGNO DRAWING | INT. CODE | NOTE |
|------|---|-------------|---|--------------------|-------------|------|
| 1 | CORPO CENTRALE CENTRAL BODY | 1 | BRONZO BRONZE | 52290221 | 522904229 | |
| 2 | CONFLUENZA CURVE BESS CONFLUENCE | 1 | BRONZO BRONZE | 52310624 | 522904230 | |
| 3 | MPPILO INGRESSO INLET NIPPLE | 1 | BRONZO BRONZE | 52310625 | 522904230 | |
| 4 | ANELLO SFERRA GIUNTI BEARING RETAINER RING | 1 | BRONZO BRONZE | 52310627 | 522904240 | |
| 5 | PASTIGLIA FREMSTOPPA CLAMP BRASS PLATE | 1 | BRONZO BRONZE | 52310628 | 522904250 | |
| 6 | SCATOLA PER MAURINIE GEAR BOX | 2 | BRONZO BRONZE | 52310645 | 522904290 | |
| 7 | SUPPORTO GRUPPO ALZO ELEVATOR GROUP SUPPORT | 1 | BRONZO BRONZE | 52310629 | 522904290 | |
| 8 | PASTIGLIA FISSAGGIO ALBERI SHAFT BRASS PLATE | 2 | BRONZO BRONZE | 52310619 | 5227916100 | |
| 9 | FREMSTOPPA CLAMP | 1 | BRONZO BRONZE | 52310642 | 522904330 | |
| 10 | FREMSTOPPA PORTA RUOTA CLAMP GEAR WHEEL CLAMP | 1 | BRONZO BRONZE | 52310641 | 522904340 | |
| 11 | 1/2 RUOTA DENTATA RAPP. 1-80 HAFT GEAR WHEEL RATIO 1-80 | 1 | BRONZO BRONZE | 52290415 | 5068190019 | |
| 12 | BONDELLA PIANA PER VITE M8 FLAT WASHER FOR SCREW M8 | 4 | ACC. AL CARBONIO ZINC GALV. CARBON STEEL | | 616100000 | |
| 13 | VITE CON ALBERO PER ALZO ELEVATOR WRENCH | 1 | ACC. AL CARBONIO ZINC | 52310631 | 5229040019 | |
| 14 | VITE CON ALBERO PER ROTAZIONE CENTRAL BODY FRONT PIN | 1 | ACC. AL CARBONIO ZINC | 52310632 | 5229040029 | |
| 15 | ASTA DI RINFORZO CURVE BESS CONFLUENCE BEARING | 1 | ACC. INOX AISI 304 ST. STEEL AISI 304 | 52290024 | 5200010090 | |
| 16 | BUSSOLA CONFLUENZA CURVE BESS CONFLUENCE BEARING | 2 | ACC. INOX AISI 304 ST. STEEL AISI 304 | 52290029 | 5200010150 | |
| 17 | ANELLO FAG TIPO DM 20 x 20 x 4 RING M 20 x 20 x 4 FAG TYPE | 2 | | | 50132020800 | |
| 18 | DISTANZIALE PER VOLANTINO HANDWHEEL SPACER | 2 | OTTONE BRASS | 52290713 | 5227943019 | |
| 19 | VOLANTINO TIPO RP41 HANDWHEEL M 200 PP4 | 2 | | 52290716 | 5229040079 | |
| 20 | ANELLO O-RING 4075 O-RING GASKET 4337 TYPE | 2 | NBR | | 5001457000 | |
| 21 | ANELLO O-RING 4337 O-RING GASKET 4337 TYPE | 2 | NBR | | 5001433700 | |
| 22 | ANELLO M 80 x 80 x 25 x 7,5 RING M 80 x 80 x 25 x 7.5 | 2 | | | 5002080160 | |
| 23 | ANELLO M 110-110 x 125 x 7,5 RING M 110-110 x 125 x 7.5 | 1 | | | 5002110100 | |
| 24 | ANELLO O-RING 193 O-RING GASKET 193 | 2 | NBR | | 5001019300 | |
| 25 | ANELLO TIPO AS 32477 O-RING GASKET 32477 | 4 | | | 5015047019 | |
| 26 | ANELLO O-RING 208 O-RING GASKET 208 | 1 | NBR | | 5001020200 | |
| 27 | ANELLO O-RING 208 O-RING GASKET 208 | 1 | NBR | | 5001020200 | |
| 28 | BENDA LUBRIFICAZIONE TIPO 270 M 8 LUBRICANT BAND M8 M 8 | 3 | ACC. AL CARBONIO ZINC | | 5039152090 | |
| 29 | INCASSATRICE TIPO 270 M 8 CREASER 270 M 8 | 3 | ACC. AL CARBONIO ZINC | | 5057000000 | |
| 30 | CUSCINETTO A SFERA TIPO 6024 BALL BEARING 6024 TYPE | 1 | ACC. TEMPRIATO HARDENED STEEL | | 5060000240 | |
| 31 | CUSCINETTO A SFERA TIPO 3200 4 x UPPER ROLLER BEARING 3200 4 x TYPE | 4 | ACC. TEMPRIATO HARDENED STEEL | | 5060320040 | |
| 32 | CUSCINETTO A RULLINI TIPO M8 90/25A ROLLER BEARING M8 90/25A TYPE | 2 | ACC. TEMPRIATO HARDENED STEEL | | 5060000300 | |
| 33 | GOLFANE DI SOLLEVAMENTO LIFTING BUSHES | 2 | ACC. INOX AISI 304 ST. STEEL AISI 304 | 52320424 | 5252940000 | |
| 34 | CHAVETTA LHM 6604-89 5 x 5 x 30 KEY LHM 6604-89 TYPE 5 x 5 x 30 | 2 | ACC. AL CARBONIO ZINC | | 6571010400 | |
| 35 | VITE T.E. M 8 x 30 CARBONIO INCASSATO HEAD SCREW M 8 x 30 | 4 | ACC. AL CARBONIO ZINC GALV. CARBON STEEL | | 6602080300 | |
| 36 | VITE T.E. M 8 x 35 HEXAGONAL HEAD SCREW M 8 x 35 | 6 | ACC. AL CARBONIO ZINC GALV. CARBON STEEL | | 6602080350 | |
| 37 | VITE T.E. M 10 x 35 HEXAGONAL HEAD SCREW M 10 x 35 | 4 | ACC. AL CARBONIO ZINC GALV. CARBON STEEL | | 6602070350 | |
| 38 | VITE T.C. CON ESAC. INCASSATO M 8 x 25 CARBONIO INCASSATO HEAD M 8 x 25 | 2 | ACC. AL CARBONIO ZINC GALV. CARBON STEEL | | 6605030250 | |
| 39 | VITE T.C. M 8 x 80 HEXAGONAL HEAD SCREW M 8 x 80 | 2 | ACC. AL CARBONIO ZINC GALV. CARBON STEEL | | 6603080800 | |
| 40 | VITE T.C. M 10 x 40 HEXAGONAL HEAD SCREW M 10 x 40 | 2 | ACC. AL CARBONIO ZINC GALV. CARBON STEEL | | 6603070400 | |
| 41 | VITE T.C. M 10 x 110 HEXAGONAL HEAD SCREW M 10 x 110 | 2 | ACC. AL CARBONIO ZINC GALV. CARBON STEEL | | 6603071100 | |
| 42 | VITE T.C. M 10 x 100 HEXAGONAL HEAD SCREW M 10 x 100 | 2 | ACC. AL CARBONIO ZINC GALV. CARBON STEEL | | 6603071000 | |
| 43 | VITE T.C. CON ESAC. INCASSATO M 8 x 25 SOREN WITH RECESSED HEAD M 8 x 25 | 6 | ACC. AL CARBONIO ZINC GALV. CARBON STEEL | | 6604060250 | |
| 44 | VITE T.C. CON ESAC. INCASSATO M 8 x 30 SOREN WITH RECESSED HEAD M 8 x 30 | 8 | ACC. AL CARBONIO ZINC GALV. CARBON STEEL | | 6604070300 | |
| 45 | BONDELLA PIANA PER VITE M 8 ORDER WASHER FOR SCREW M 8 | 2 | ACC. AL CARBONIO ZINC GALV. CARBON STEEL | | 616100000 | |
| 46 | BONDELLA GRONER PER VITE M 8 ORDER WASHER FOR SCREW M 8 | 14 | ACC. AL CARBONIO ZINC GALV. CARBON STEEL | | 6171060000 | |
| 47 | BONDELLA GRONER PER VITE M 10 ORDER WASHER FOR SCREW M 10 | 10 | ACC. AL CARBONIO ZINC GALV. CARBON STEEL | | 6171070000 | |
| 48 | VITE T.C. CON ESAC. INCASSATO M 8 x 20 CL. SOREN WITH RECESSED HEAD M 8 x 20 | 8 | ACC. AL CARBONIO ZINC GALV. CARBON STEEL | | 6604080200 | |
| 49 | DAPO CEDO M8 BLIND NUT M8 | 2 | ACC. AL CARBONIO ZINC GALV. CARBON STEEL | | 6631000000 | |
| 50 | BONDELLA "WASHER" TIPO DM 104-25 -M5 WASHER "WASHER" M 104-25 TYPE -M5 | 2 | ACC. AL CARBONIO ZINC | | 5041085040 | |

| | | | | | | |
|---|------------|---------------|--|-------|----------|----------|
| 0 | 11.04.97 | Emesso-Issued | | MP | MB | |
| Rev. | Date | Description | Client / Project | Drawn | Checked | Approved |
| CACCIALANZA & C. S.p.A. AUTOREGOLAZIONE AUTOMATICAMENTE REVERSE REGULATING VALVE | | | Tipo MONITORE TIPO AS4 ESECUZIONE IN BRONZO ASSEMBLE GENERALE - PARTI COMPONENTI MONITOR AS4 TYPE BRONZE EXECUTION GENERAL ASSEMBLY - PARTS LIST | | | |
| Drawn | Date | Name | | | | |
| Checked | 23.08.97 | MP | | | | |
| Approved | | MB | | | | |
| Code | 5227910000 | Spn. | Sta | Scale | Dep. nr. | Rev. |
| | | | A1 | 1:2 | 52290702 | 0 |
| This drawing is the property of CACCIALANZA & C. S.p.A. and is not to be reproduced or used to furnish any information for orders or drawings or approvals except those provided for by agreement with said company. | | | | | | |