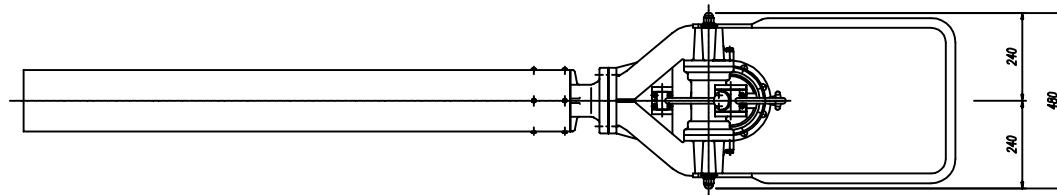
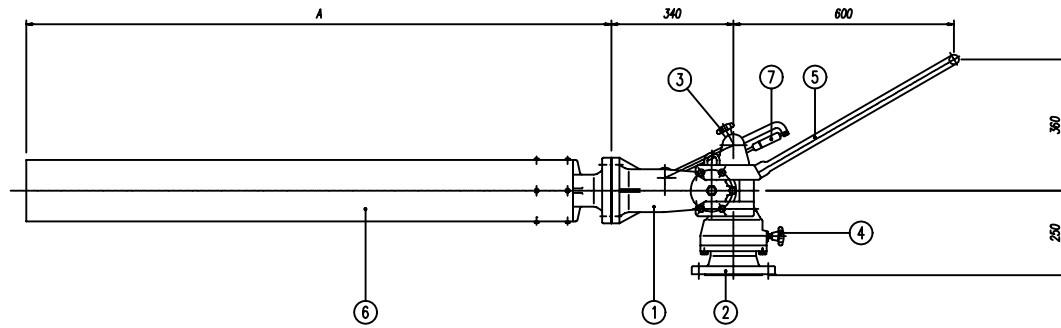


**IMPORTANTE :**

CACCIALANZA & C. S.p.A. si riserva il diritto di modificare senza preavviso le informazioni contenute su questa scheda con il proposito di apportare miglioramenti alla produzione

**IMPORTANT :**

CACCIALANZA & C. S.p.A. reserves the right to change or modify without previous notice any data or specification due to changes or modification in order to improve the products presented



A 6000	1600	6000	10.2
A 5000	1500	5000	9.5
A 4000	1500	4000	9.0
A 3000	1100	3000	8.6
A 2400	1100	2400	8.4
A 2000	1100	2000	8.3
CANNA SCHIUMA TIPO FOAM GUN TYPE	A mm	PORTATA l/min. FLOWRATE l/min.	PRESSIONE ( FLG. INGRESSO ) PRESSURE ( AT INLET FLG. )

**NOTE:**

- \* - A RICHIESTA FLG. Ø 4" ANSI 150 Lbs RF - FLGD. Ø 4" ANSI 150 Lbs RF ON REQUEST
- \* - A RICHIESTA FLG. Ø 6" ANSI 150 Lbs RF - FLGD. Ø 6" ANSI 150 Lbs RF ON REQUEST
- \* - A RICHIESTA FLG. UNI/DIN DN 100 PN 16 - FLGD. UNI/DIN DN 100 PN 16 ON REQUEST
- \* - A RICHIESTA FLG. UNI/DIN DN 150 PN 16 - FLGD. UNI/DIN DN 150 PN 16 ON REQUEST

0	08.07.98	Emesso - Issued	MS	MP	MB	
Rev.	Date	Description	Drawn	Checked	Approved	
<b>CACCIALANZA &amp; C.</b> <small>S.p.A.</small> ANTINCENDIO SICUREZZA ANTINQUINAMENTO SEGRATE (MILANO) - ITALY		Client / Project				
Drawn Checked Approved Code		Date 28.07.98 28.07.98 28.07.98	Name MS MP MB	Title MONITORE TIPO A4 CON CANNA SCHIUMA TIPO "A" ASSIEME GENERALE MONITOR A4 TYPE WITH FOAM GUN "A" TYPE GENERAL ASSEMBLY		
Sys. 		Size A3	Scale 1:15	Dwg nr. 52289910	Rev. 0	Sheet 1 of 1
THIS DRAWING IS THE PROPERTY OF CACCIALANZA & C. S.p.A. AND IS NOT TO BE REPRODUCED OR USED TO FURNISH ANY INFORMATION FOR MAKING OF DRAWINGS OR APPARATUS EXCEPT WHERE PROVIDED FOR BY AGREEMENT WITH SAID COMPANY						

7	MOLLA A GAS GAS SPRING	1			
6	CANNA SCHIUMA TIPO "A" FOAM GUN "A" TYPE	1			
5	BRANDEGGIO HANDLEVER	1			
4	BLOCCAGGIO ROTAZIONE ROTATION LOCKING DEVICE	1			
3	BLOCCAGGIO ALZO ELEVATION LOCKING DEVICE	1			
2	FLANGIA INGRESSO INLET FLANGE	1			*
1	CORPO MONITORE TIPO A4 MONITOR BODY A4 TYPE	1			
POS.	DESCRIZIONE DESCRIPTION	Q.TA Q.TY	MATERIALE MATERIAL	INT. CODE	NOTE