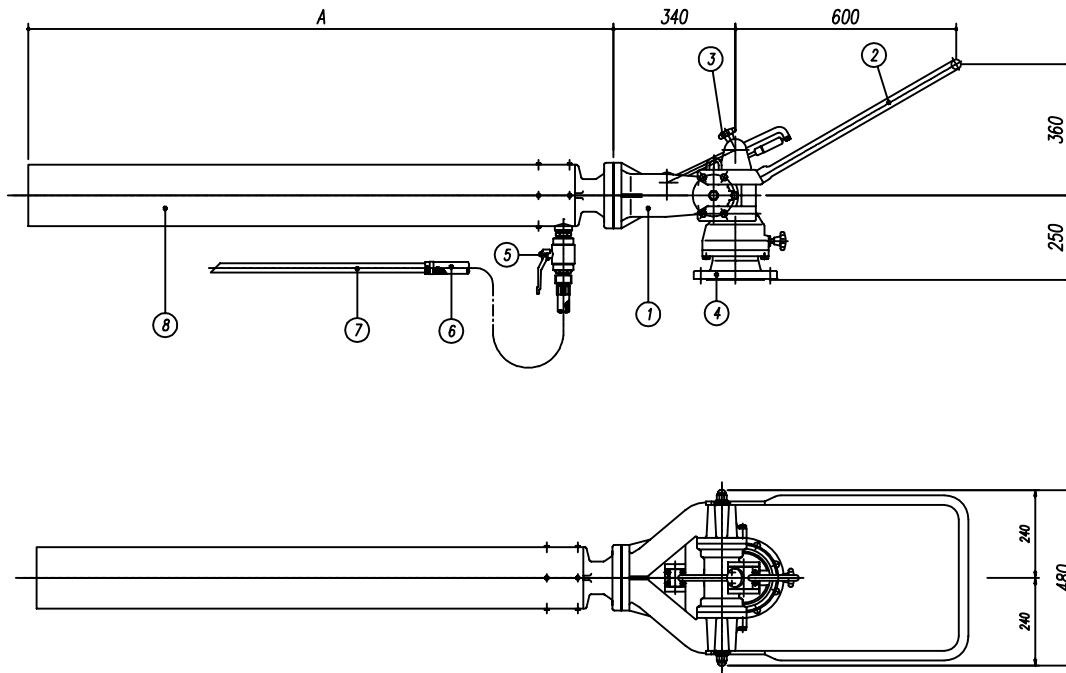


IMPORTANTE :

CACCIALANZA & C. S.p.A. si riserva il diritto di modificare senza preavviso le informazioni contenute su questa scheda con il proposito di apportare miglioramenti alla produzione

IMPORTANT :

CACCIALANZA & C. S.p.A. reserves the right to change or modify without previous notice any data or specification due to changes or modification in order to improve the products presented



AW 6000	1600	6000	10.2
AW 5000	1500	5000	9.5
AW 4000	1500	4000	9.0
AW 3000	1150	3000	8.6
AW 2400	1150	2400	8.4
AW 2000	1150	2000	8.3
CANNA SCHIUMA TIPO FOAM GUN TYPE	A mm	PORTATA l/min. ¹ FLOWRATE l/min. ¹	PRESSIONE (FLG. INGRESSO) PRESSURE (AT INLET FLG.)

NOTE:

- * - A RICHIESTA FLG. Ø 4" ANSI 150 Lbs RF - FLGD. Ø 4" ANSI 150 Lbs RF ON REQUEST
- * - A RICHIESTA FLG. Ø 6" ANSI 150 Lbs RF - FLGD. Ø 6" ANSI 150 Lbs RF ON REQUEST
- * - A RICHIESTA FLG. UNI/DIN DN 100 PN 16 - FLGD. UNI/DIN DN 100 PN 16 ON REQUEST
- * - A RICHIESTA FLG. UNI/DIN DN 150 PN 16 - FLGD. UNI/DIN DN 150 PN 16 ON REQUEST

Rev.	Date	Description	Drawn	Checked	Approved
0	25.05.99	Emesso - Issued	GM	MB	
		Client / Project			
		CACCIALANZA & C. s.p.a. ANTINCENDIO SICUREZZA ANTINQUINAMENTO SEGRATE (MILANO) - ITALY			
		Title			
		MONITORE TIPO A4 CON CANNA SCHIUMA TIPO "AW"			
		ASSIEME GENERALE			
		MONITOR A4 TYPE WITH FOAM GUN "AW" TYPE			
		GENERAL ASSEMBLY			
Drawn	Date	Name	Size	Scale	Dwg nr.
Checked	25.05.99	GM	A3	1:15	52280068
Approved					
Code	Sys.	Size	Scale	Dwg nr.	Rev.
		A3	1:15	52280068	0
					Sheet
					1
					of
					1

THIS DRAWING IS THE PROPERTY OF CACCIALANZA & C. S.p.A. AND IS NOT TO BE REPRODUCED OR USED TO FURNISH ANY INFORMATION FOR MAKING OF DRAWINGS OR APPARATUS EXCEPT WHERE PROVIDED FOR BY AGREEMENT WITH SAID COMPANY

POS.	DESCRIZIONE DESCRIPTION	Q.TA Q.TY	MATERIALE MATERIAL	INT. CODE	NOTE
8	CANNA SCHIUMA TIPO "AW" FOAM GUN "AW" TYPE	1			
7	TUBO IN LEGA LEGGERA ASPIRAZIONE LIQUIDO SCHIUMOGENO FOAM COMPOUND SUCTION PIPE (LIGHT ALLOY)	1			
6	TUBO FLESSIBILE RINFORZATO ASPIR. LIQUIDO SCHIUMOGENO FOAM COMPOUND SUCTION REINFORCED FLEXIBLE HOSE	1			
5	VALVOLA A SFERA INTERC. ASP. LIQUIDO SCHIUMOGENO FOAM COMP. SUCTION INTERCEPTION BALL VALVE	1			
4	FLANGIA D'INGRESSO INLET FLANGE	1			*
3	VOLANTINO BLOCCAGGIO ALZO ELEVATION LOCKING DEVICE	1			
2	BRANDEGGIO HANDLEVER	1			
1	MONITORE TIPO A4 MONITOR A4 TYPE	1			