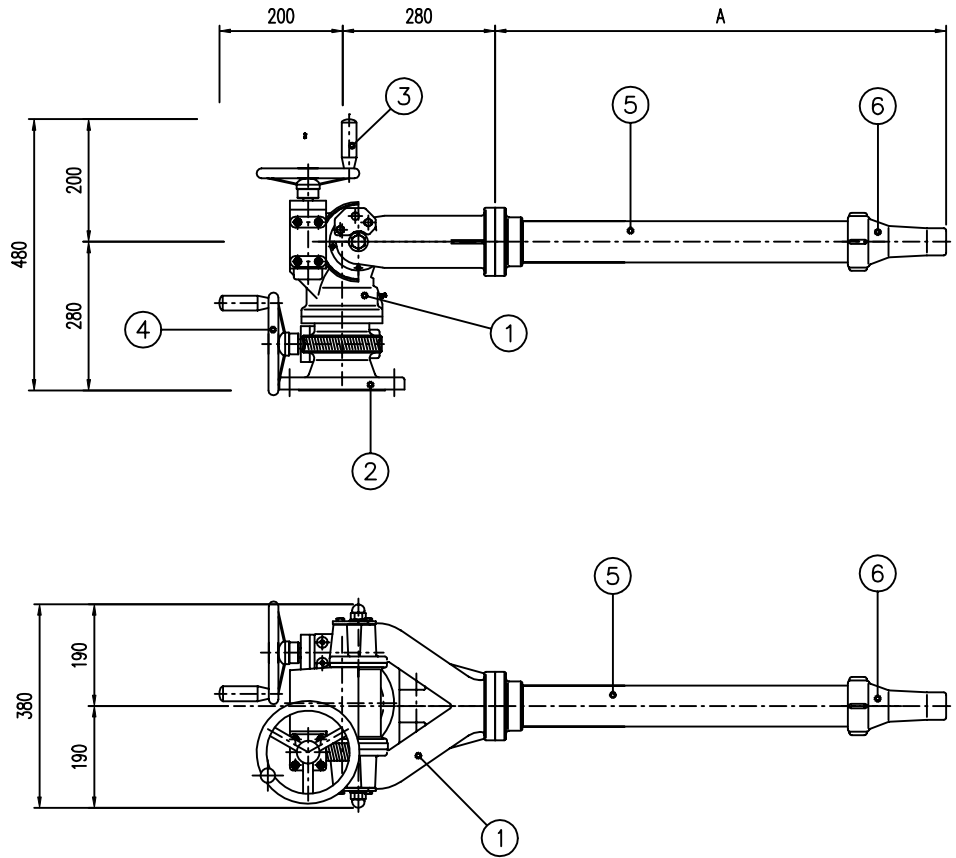


IMPORTANTE :
 CACCIALANZA & C. S.p.A. si riserva il diritto di modificare senza preavviso le informazioni contenute su questa scheda con il proposito di apportare miglioramenti alla produzione

IMPORTANT :
 CACCIALANZA & C. S.p.A. reserves the right to change or modify without previous notice any data or specification due to changes or modification in order to improve the products presented



I 3000	840	3000	10.0
I 2400	840	2400	9.3
I 2000	825	2000	8.9
I 1600	825	1600	8.6
I 1000	825	1000	8.2
CANNA IDRICA TIPO WATER GUN TYPE	A mm	PORTATA l/min. FLOWRATE l/min.	PRESSIONE (FLG. INGRESSO) PRESSURE (AT INLET FLG.)

NOTE:

- * - A RICHIESTA FLG. ϕ 3" ANSI 150 Lbs RF - FLGD. ϕ 3" ANSI 150 Lbs RF ON REQUEST
- * - A RICHIESTA FLG. ϕ 4" ANSI 150 Lbs RF - FLGD. ϕ 4" ANSI 150 Lbs RF ON REQUEST
- * - A RICHIESTA FLG. UNI/DIN DN 80 PN 16 - FLGD. UNI/DIN DN 80 PN 16 ON REQUEST
- * - A RICHIESTA FLG. UNI/DIN DN 100 PN 16 - FLGD. UNI/DIN DN 100 PN 16 ON REQUEST

0	17.05.1999	Emesso - Issued	MS	MB			
Rev.	Date	Description	Drawn	Checked	Approved		
CACCIALANZA & C. s.p.a. ANTINCENDIO SICUREZZA ANTINQUINAMENTO SEGRATE (MILANO) - ITALY		Client / Project					
Drawn 17.05.99 Checked 17.05.99 Approved		Title MONITORE AS3 CON CANNA IDRICA E BOCCELLO "F" ASSIEME GENERALE MONITOR AS3 TYPE WITH WATER PIPE AND FIXED NOZZLE "F" TYPE GENERAL ASSEMBLY					
Code		Sys.	Size	Scale	Dwg nr.	Rev.	Sheet
			A3	1:10	52069901	0	1 of 1

Pos.	Descrizione Description	Q.ty	Materiale Material	Code Drawing	Note
6	BOCCELLO FISSO GETTO PIENO FIXED FULL JET NOZZLE	1			
5	CANNA IDRICA WATER GUN	1			
4	VOLANTINO PER ROTAZIONE HANDWHEEL FOR ROTATION	1			
3	VOLANTINO PER ALZO HANDWHEEL FOR ELEVATION	1			
2	FLANGIA D'INGRESSO INLET FLANGE	1			*
1	CORPO MONITORE TIPO AS3 MONITOR BODY AS3 TYPE	1			

THIS DRAWING IS THE PROPERTY OF CACCIALANZA & C. S.p.A. AND IS NOT TO BE REPRODUCED OR USED TO FURNISH ANY INFORMATION FOR MAKING OF DRAWINGS OR APPARATUS EXCEPT WHERE PROVIDED FOR BY AGREEMENT WITH SAID COMPANY