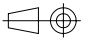


0	11.02.02	ISSUED		An. T.	Al. T.	A. M.			
Rev.	Date	Description		Drawn	Checked	Approved			
CACCIALANZA & C. s.p.a. ANTINCENDIO SICUREZZA ANTINQUINAMENTO SEGRATE (MILANO) - ITALY			Client / Project						
			Title						
	Date	Name	PANEL 4 M.O. VALVE LKS6 EExd IIB T3						
Drawn	11.02.02	An. T.							
Checked	11.02.02	Al. T.							
Approved	11.02.02	A. M.							
Code		Sys.	Size	Scale	Dwg nr.	Rev.	Sheet	1	
			A 3	/	46414421	0	of	12	
THIS DRAWING IS THE PROPERTY OF CACCIALANZA & C. S.p.A. AND IS NOT TO BE REPRODUCED OR USED TO FURNISH ANY INFORMATION FOR MAKING OF DRAWINGS OR APPARATUS EXCEPT WHERE PROVIDED FOR BY AGREEMENT WITH SAID COMPANY									

a	b	c	d	e	f	g		h	i	j	k	m	n	p	q		r										
SHEET	DESCRIPTION						MODIFY					SHEET	DESCRIPTION						MODIFY					0			
							A	B	C	D	E								F	G	H	I	A		B	C	D
1	COVER						0					29															
2	MODIFY TABLE						0					30															
3	TECHNICAL DATA						0					31															
4	WIRE COLOUR TABLE						0					32															
5	POWER WIRING						0					33															
6	UZA-2 PANEL WIRING						0					34															
7	UZA-1 PANEL -VA1 OPEN/CLOSED						0					35															
8	UZA-1 PANEL -VA2 OPEN/CLOSED						0					36															
9	UZA-1 PANEL -VA3 OPEN/CLOSED						0					37															
10	UZA-1 PANEL -VA4 OPEN/CLOSED						0					38															
11	UZA-2 LAY-OUT AND FRONT PANEL						0					39															
12	UZA-1 LAY-OUT AND FRONT PANEL						0					40															
13												41															
14												42															
15												43															
16												44															
17												45															
18												46															
19												47															
20												48															
21												49															
22												50															
23												51															
24												52															
25												53															
26												54															
27												55															
28												56															

CACCIALANZA & C. s.p.a.
 ANTINCENDIO SICUREZZA ANTINQUINAMENTO
 SEGRATE (MILANO) - ITALY

TITLE
MONITOR 4 MOTIONS
 TYPE A2-A4-A6-A8/EL

CLIENT

			DATE	14.09.2001
			SCALE	/
			DRAWN	AN.T.
0	ISSUED	11.02.02	CHECKED	AL.T.
REV.	MODIFY	DATE	APPROVED	A.M.

DWG N° **46414421**
 PROJECT N°
 SHEET N° 2 OF 12

a b c d e f g h i j k m n p q r

0
1
2
3
4
5
6
7
8
9

PANEL BOARD TECHNICAL DATA

RATED SERVICE VOLTAGE:.....400V	TYPE OF SEGREGATION:.....FORM 1	TEMPERATURE:.....40°C
RATED INSULATION VOLTAGE:.....1000V	INSTALLATION:.....OUTDOOR	DEGREE OF PROTECTION:see page 10-11
RATED FREQUENCY:.....50Hz	COMPLIANCE WITH STANDARD:.....CEI 17/13.1	COLOR:.....RED RAL3000
ELECTRICAL SYSTEM:.....3Ph+PE	IN/OUT CABLES:.....BOTTOM	

CACCIALANZA & C. s.p.a
 ANTINCENDIO SICUREZZA ANTINQUINAMENTO
 SEGRATE (MILANO) - ITALY

TITLE
MONITOR 4 MOTIONS
 TYPE A2-A4-A6-A8/EL

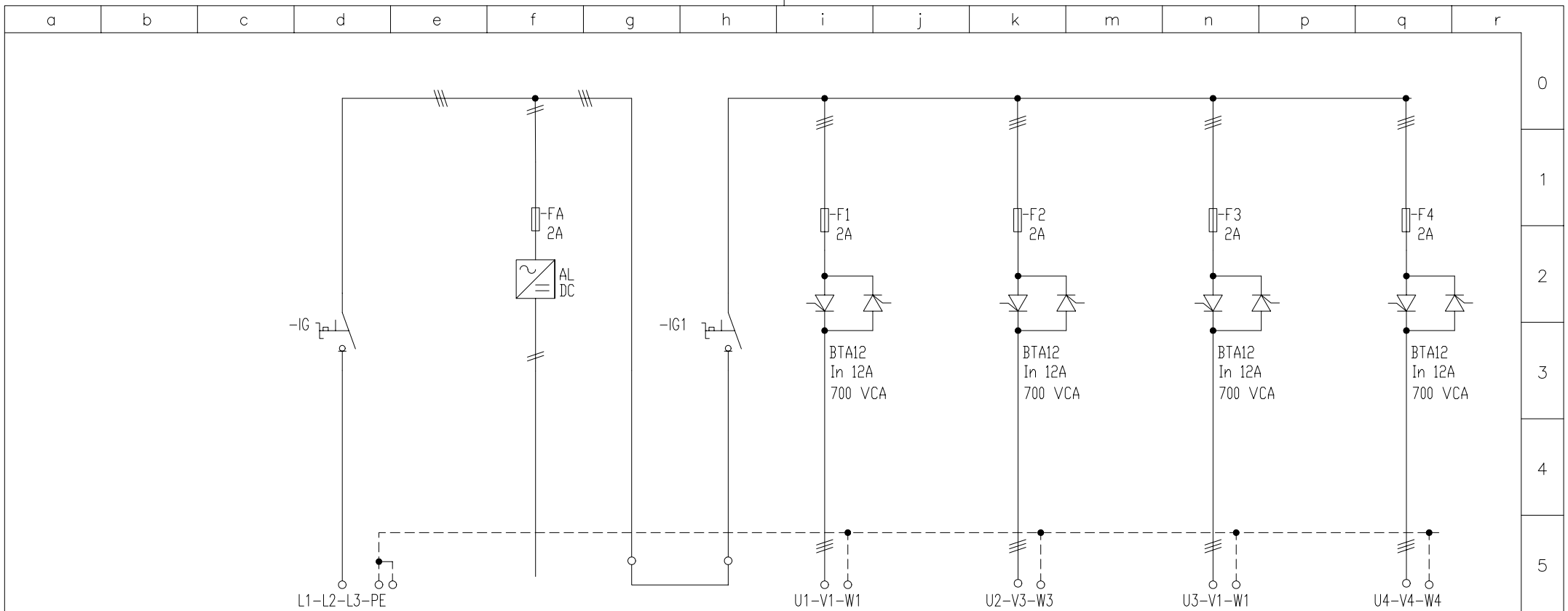
CLIENT

			DATE	14.09.2001	DWG N°	46414421
			SCALE	/		
			DRAWN	An.T.	PROJECT N°	
0	ISSUED	11.02.02	CHECKED	Al.T.		
REV.	MODIFY	DATE	APPROVED	A.M.	SHEET N°	3 OF 12

a b c d e f g h i j k m n p q r

0
1
2
3
4
5
6
7
8
9

POWER CIRCUIT		AUXILIARY CIRCUIT	
MIN. SECTION 2,5mmq		MIN. SECTION 1,5mmq	
CONDUCTOR		CONDUCTOR	
PHASES	BLACK	24V - C.A.	RED
NEUTRAL	LIGHT BLUE	110V - A.C	RED
GROUND	YELLOW-GREEN	220V - A.C	BLACK
		24V - D.C	BLUE
WIRE COLOUR TABLE			



USE	CIRCUIT		n?		MAIN SUPPLY		OPEN/CLOSED VALVE - VA1		OPEN/CLOSED VALVE - VA2		OPEN/CLOSED VALVE - VA3		OPEN/CLOSED VALVE - VA4	
	DESCRIPTION		Kw	A	1	2	0,45	0,9	0,45	0,9	0,45	0,9	0,45	0,9
ELECTRICAL EQUIPMENT	RATED SERVICE POWER AND CURRENT		Kw	A										
			Kw	A										
	SWITCH	TYPE			P1-25	Z								
		RATED CURRENT - N. POLES	A	n?	25	3								
		BREAKING CAPACITY	V	KA	400									
		SETTING CURRENT MAG. ELEMENT			A									
	SETTING CURRENT THE. ELEMENT			A										
	SETTING CURRENT Id			A										
	CON-FACTOR	TYPE												
		RATED CURRENT			A									
UTILIZATION CATEGORY														
THERMAL RELAY	TYPE													
	SETTING RANGE			A										
	SETTING CURRENT			A										
FUSEHOLDER - TYPE & CURRENT			A											
			A											
AMMETER														
VOLTMETER														
LINE	CABLE	TYPE												
		SECTION			mmq									
		LANGE			mt									
		RATED CURRENT(Iz)			A									

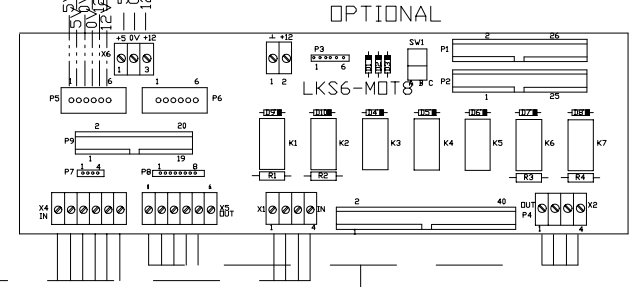
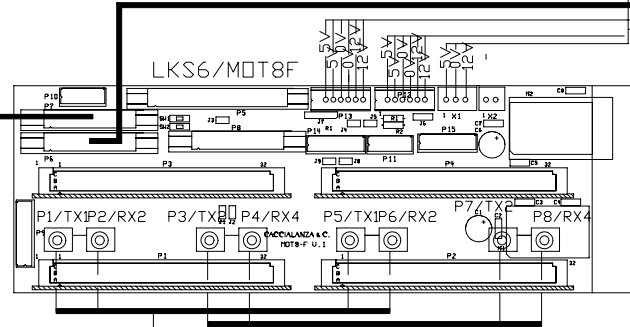
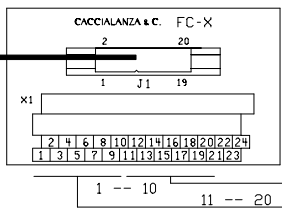
CACCIALANZA & C. s.p.a ANTINCENDIO SICUREZZA ANTINQUINAMENTO SEGRATE (MILANO) - ITALY	TITLE MONITOR 4 MOTIONS TYPE A2-A4-A6-A8/EL	CLIENT	DATE	14.09.2001	DWG N° 46414421
			SCALE	/	
			DRAWN	An.T.	
0	ISSUED	11.02.02	CHECKED	Al.T.	PROJECT N°
REV.	MODIFY	DATE	APPROVED	A.M.	

a b c d e f g h i j k m n p q r

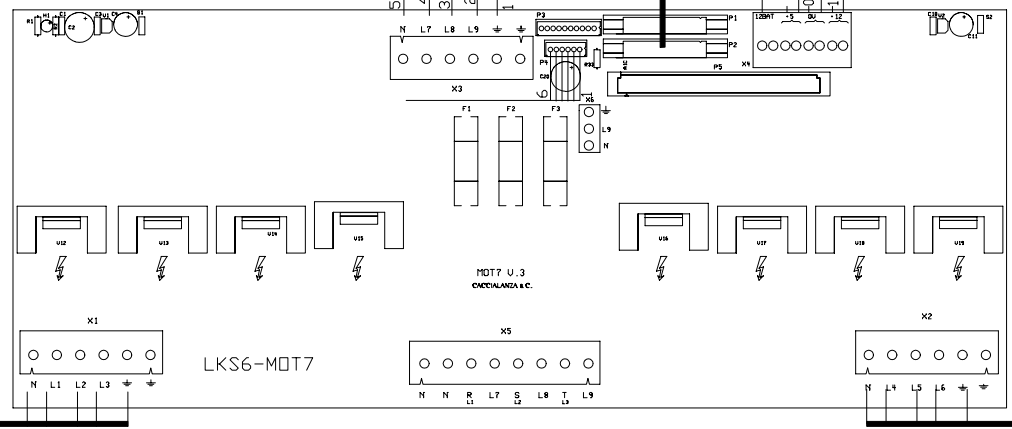
TO UZA-1 PANEL

UZA-2 PANEL

CAVO TIPO



12V BATT.



CABLE "IN" LOOP

CABLE "OUT" LOOP

CACCIALANZA & C. s.p.a.
ANTINCENDIO SICUREZZA ANTINQUINAMENTO
SEGRATE (MILANO) - ITALY

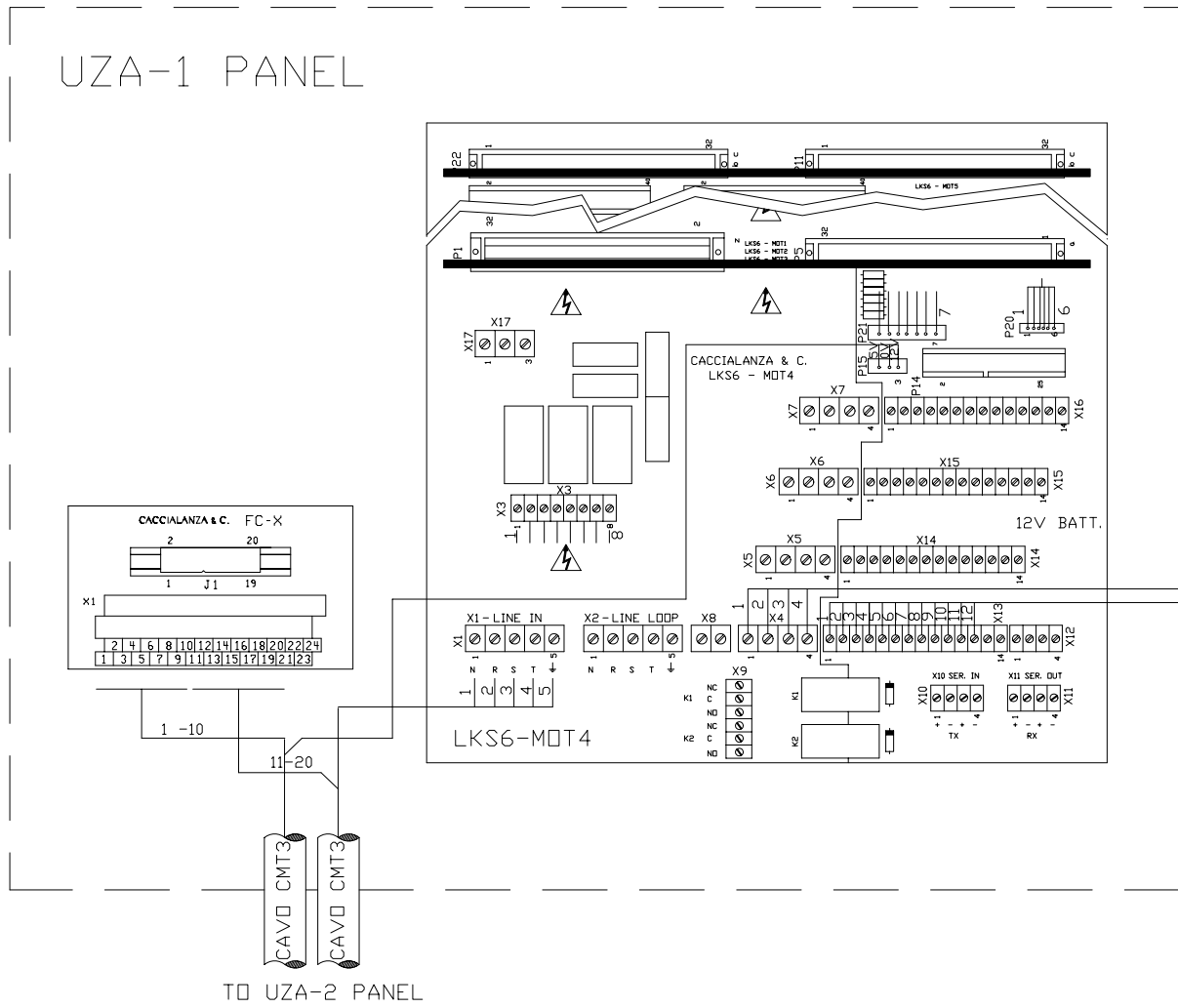
TITLE
MONITOR 4 MOTIONS
TYPE A2-A4-A6-A8/EL

CLIENT

DATE	14.09.2001
SCALE	/
DRAWN	An.T.
CHECKED	Al.T.
APPROVED	A.M.
REV.	MODIFY
DATE	11.02.02

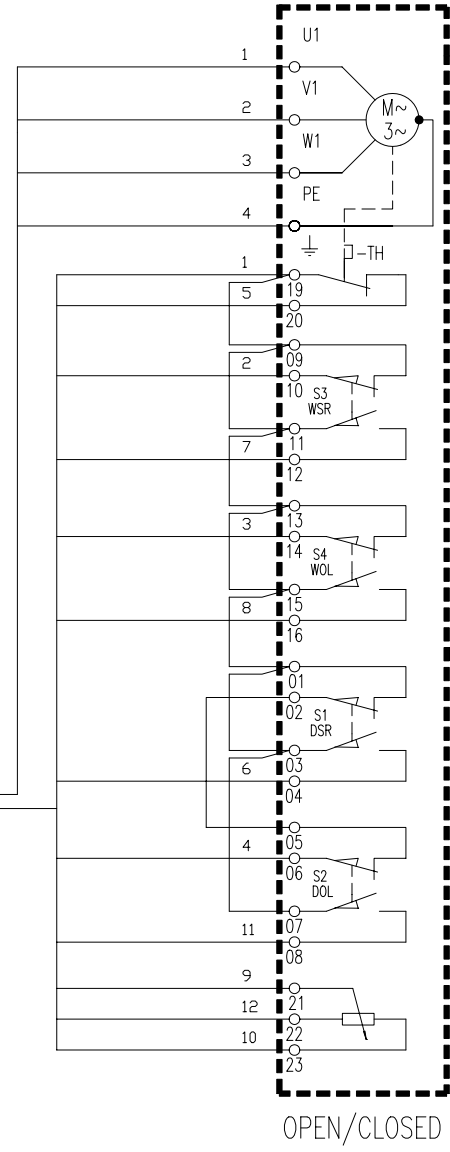
DWG N° 46414421
PROJECT N°
SHEET N. 6 OF 12

UZA-1 PANEL



TO UZA-2 PANEL

VALVE-VA1



OPEN/CLOSED

CACCIALANZA & C. s.p.a.
ANTINCENDIO SICUREZZA ANTINQUINAMENTO
SEGRATE (MILANO) - ITALY

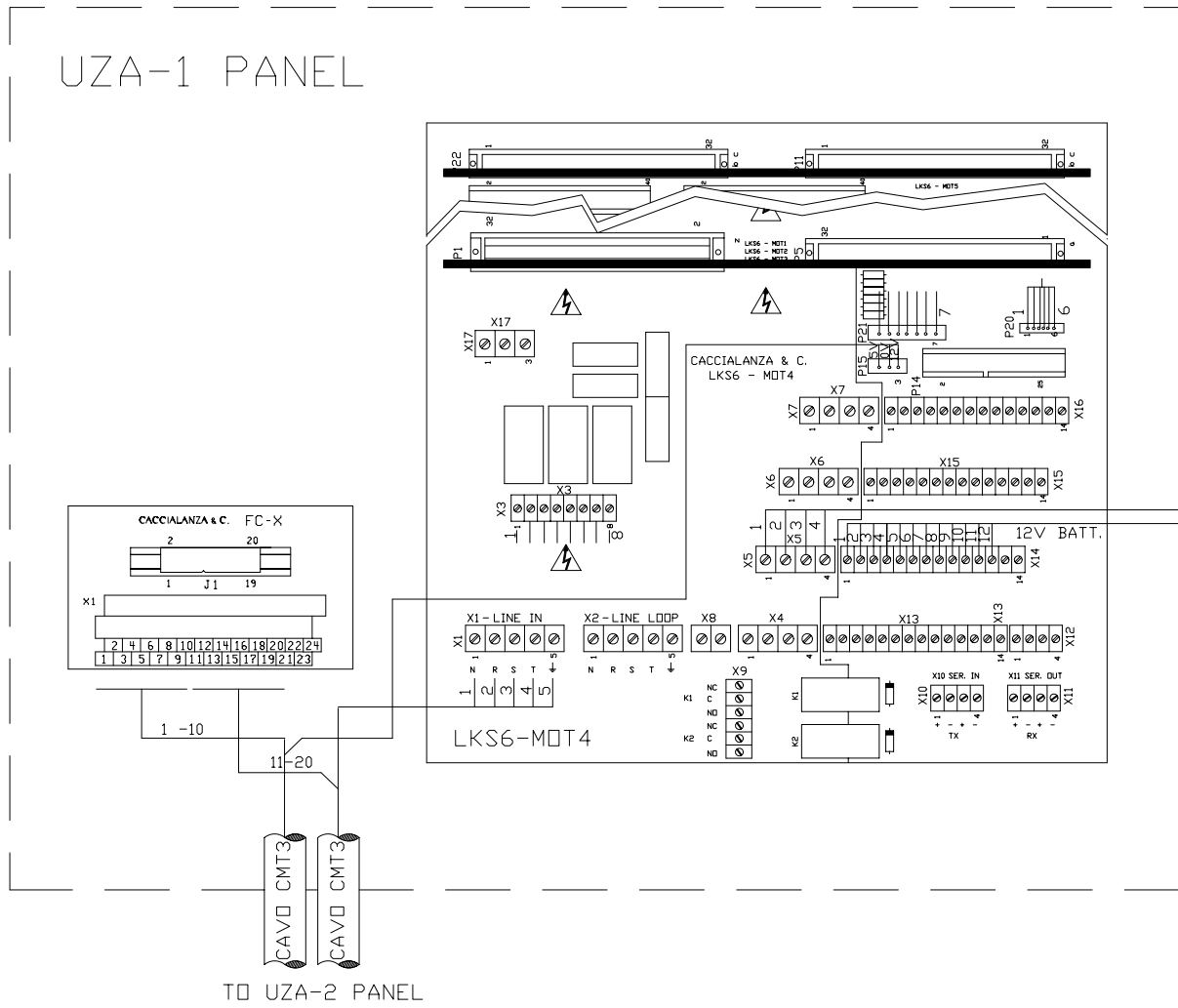
TITLE
MONITOR 4 MOTIONS
TYPE A2-A4-A6-A8/EL

CLIENT

DATE	14.09.2001
SCALE	/
DRAWN	An.T.
CHECKED	Al.T.
APPROVED	A.M.
REV.	MODIFY
DATE	11.02.02

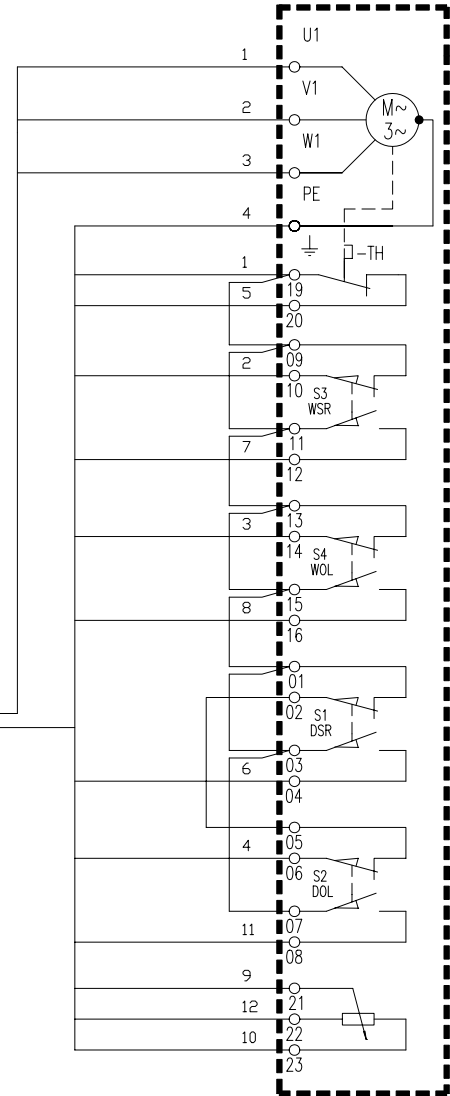
DWG N° 46414421
PROJECT N°
SHEET N. 7 OF 12

UZA-1 PANEL



TO UZA-2 PANEL

VALVE-VA2



OPEN/CLOSED

CACCIALANZA & C. s.p.a.
ANTINCENDIO SICUREZZA ANTINQUINAMENTO
SEGRATE (MILANO) - ITALY

TITLE
MONITOR 4 MOTIONS
TYPE A2-A4-A6-A8/EL

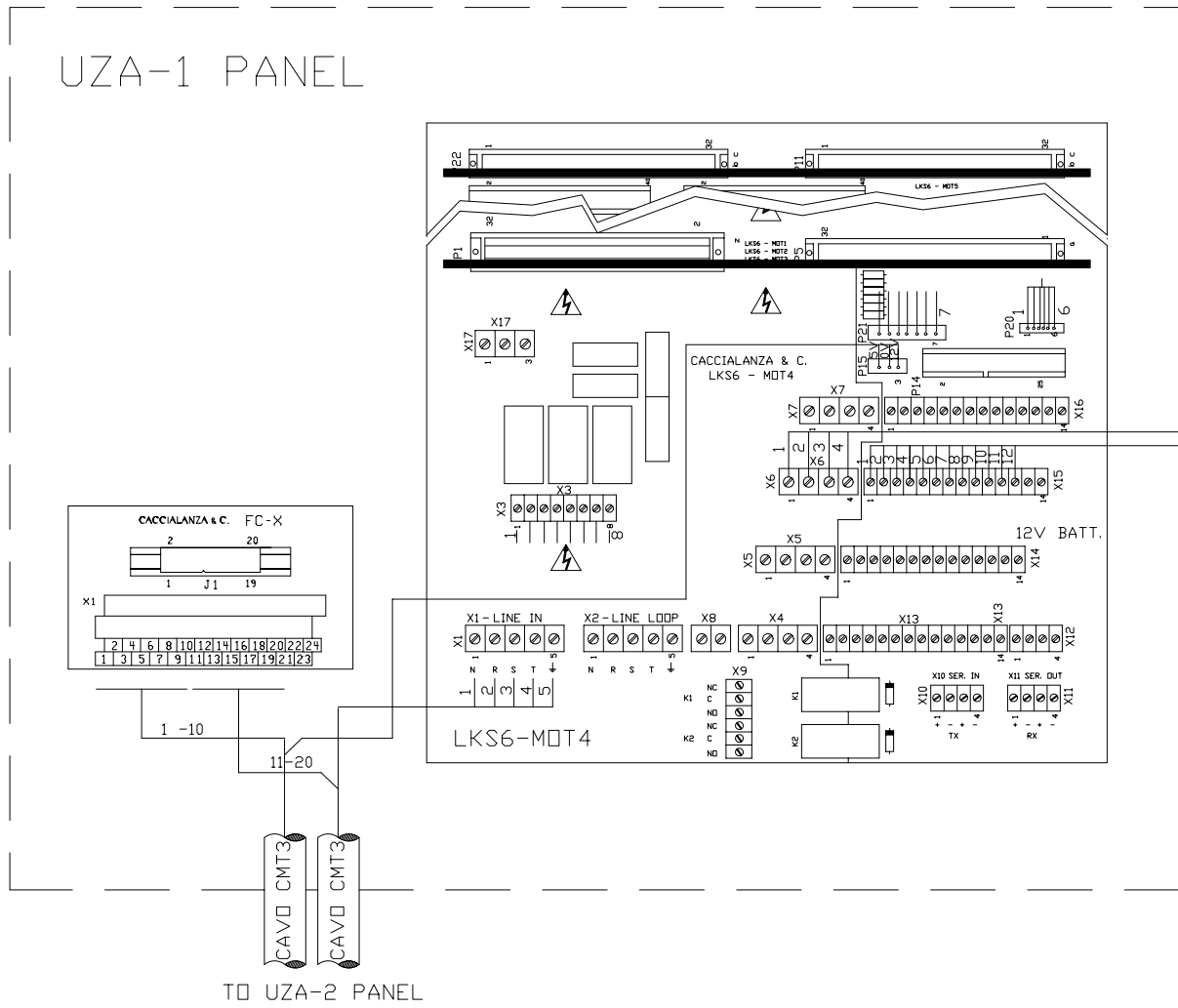
CLIENT

DATE	14.09.2001
SCALE	/
DRAWN	An.T.
CHECKED	Al.T.
APPROVED	A.M.

DWG N° 46414421
PROJECT N°
SHEET N. 8 OF 12

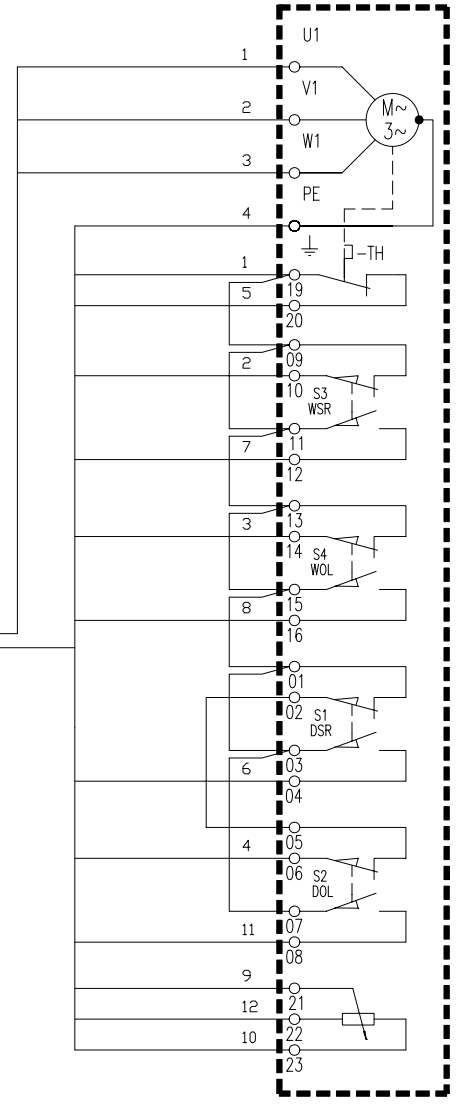
REV.	0	ISSUED	DATE	11.02.02
		MODIFY		

UZA-1 PANEL



TO UZA-2 PANEL

VALVE-VA3



OPEN/CLOSED

CACCIALANZA & C. s.p.a.
ANTINCENDIO SICUREZZA ANTINQUINAMENTO
SEGRATE (MILANO) - ITALY

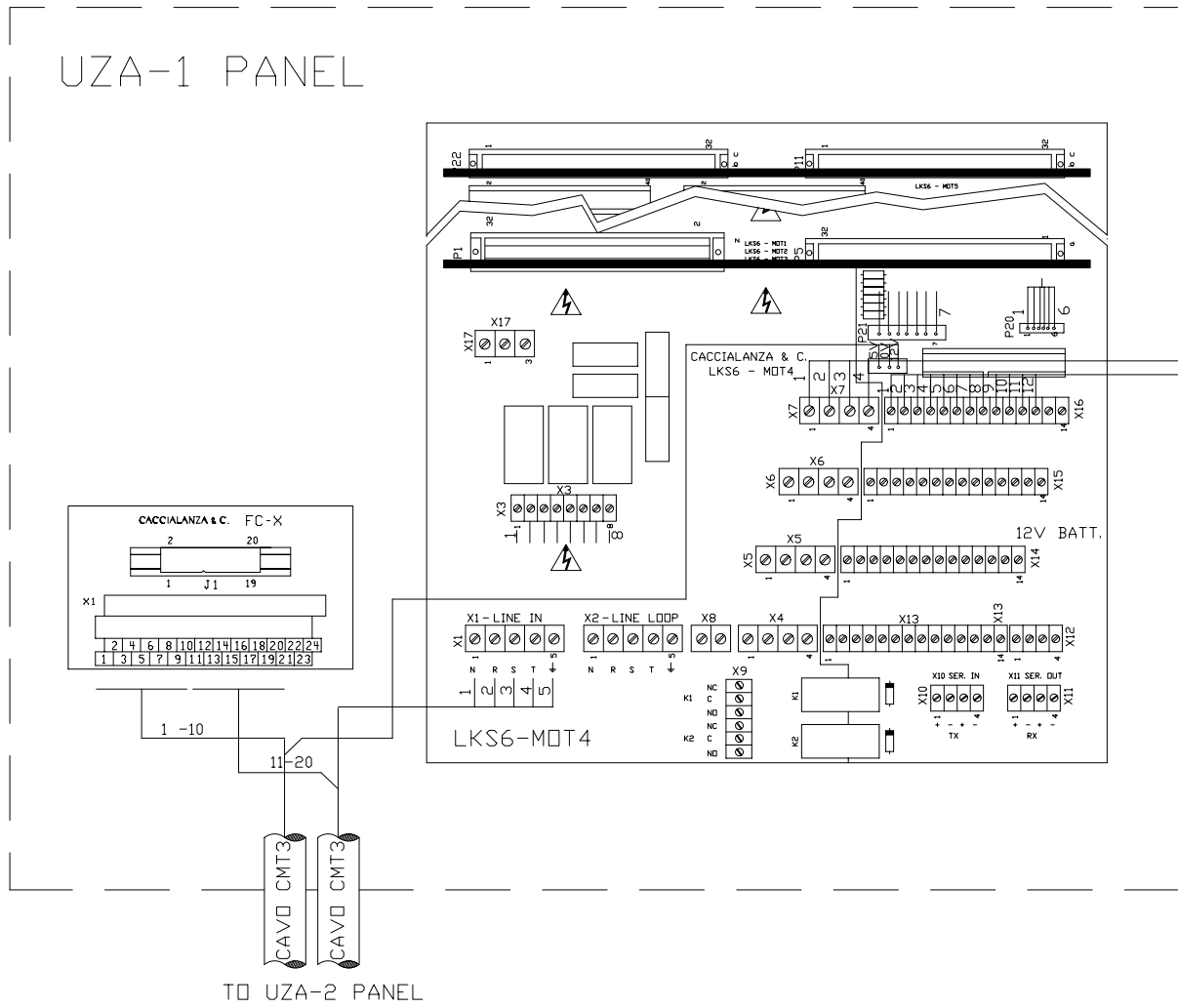
TITLE
MONITOR 4 MOTIONS
TYPE A2-A4-A6-A8/EL

CLIENT

DATE	14.09.2001
SCALE	/
DRAWN	An.T.
CHECKED	Al.T.
APPROVED	A.M.
REV.	MODIFY
DATE	11.02.02

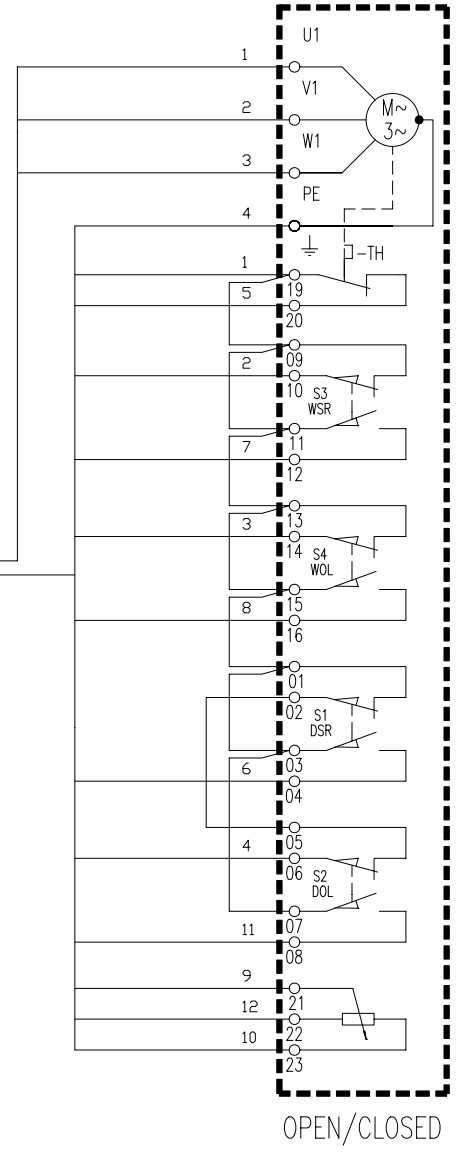
DWG N° 46414421
PROJECT N°
SHEET N. 9 OF 12

UZA-1 PANEL



TO UZA-2 PANEL

VALVE-VA4



OPEN/CLOSED

CACCIALANZA & C. s.p.a.
ANTINCENDIO SICUREZZA ANTINQUINAMENTO
SEGRATE (MILANO) - ITALY

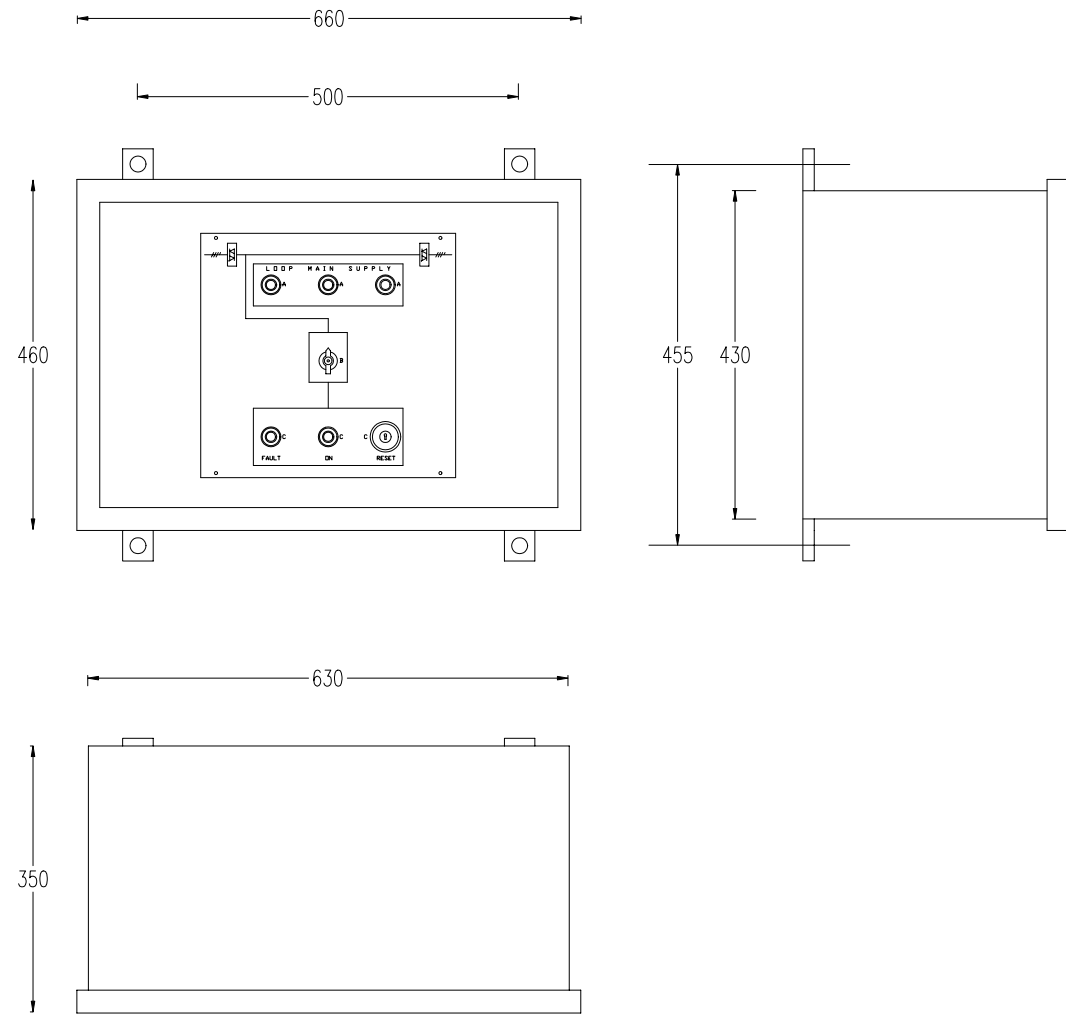
TITLE
MONITOR 4 MOTIONS
TYPE A2-A4-A6-A8/EL

CLIENT

DATE	14.09.2001
SCALE	/
DRAWN	An.T.
CHECKED	Al.T.
APPROVED	A.M.
REV.	MODIFY
DATE	11.02.02

DWG N° 46414421
PROJECT N°
SHEET N. 10 OF 12

a b c d e f g h i j k m n p q r



DENOMINAZIONE CUSTODIA : EJB61 = LKS6-2

CARATTERISTICHE ELETTRICHE

TENSIONE NOMINALE : 380V/220V
: 24V c.c.

CORRENTE NOMINALE : 16 - 25A

FREQUENZA : 50/60 Hz

MAX CAPACITA' CONDENSATORI : 470 MUF

TARGHETTA METALLICA

CACCIALANZA & C. S.p.a.

TIPO : EJB-61/LKS6-2

EEEx-d II B T3 IP55

CESI - Ex , 93 C 090

LEGENDA

A - SEGALATORI LUMINOSI

B - INTERRUTTORE GENERALE

C - PULSANTI

D - DISPOSITIVO DI SCARICO E RESPIRAZIONE

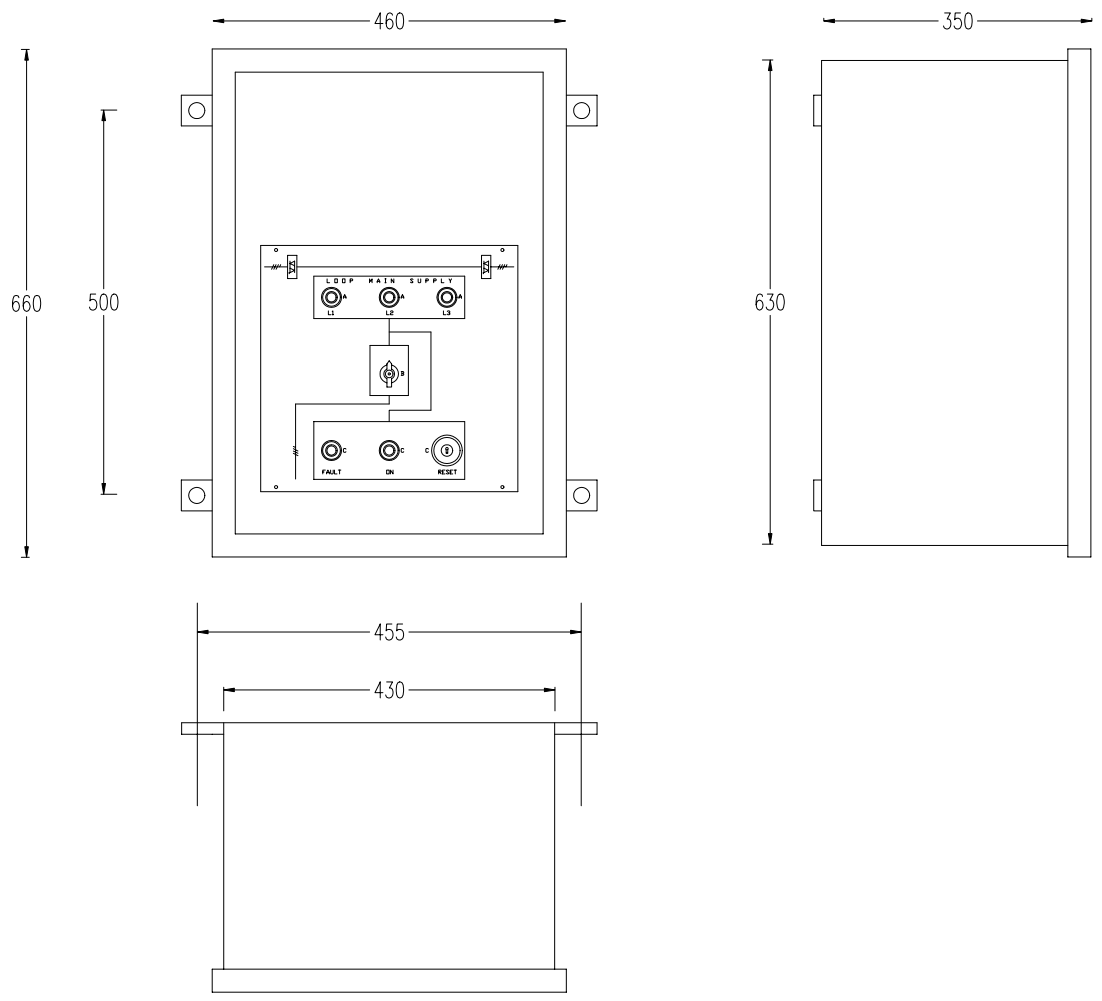
E - DISPOSITIVO DI SCARICO E RESPIRAZIONE

F - PRESSACAVI (4xPG29)

NOTA: ESECUZIONE ANTIDEFLAGRANTE EEx-d II BT3

UZA-2 PANEL

CACCIALANZA & C. S.p.A. ANTINCENDIO SICUREZZA ANTINQUINAMENTO SEGRATE (MILANO) - ITALY	TITLE MONITOR 4 MOTIONS TYPE A2-A4-A6-A8/EL	CLIENT	DATE 14.09.2001	DWG N° 46414421	
			SCALE /		
			DRAWN An.T.		PROJECT N°
			0 ISSUED 11.02.02 CHECKED AL.T.		
REV. MODIFY DATE APPROVED A.M.	SHEET N. 11 OF 12				



DENOMINAZIONE CUSTODIA : EJB61 = LKS6-1

CARATTERISTICHE ELETTRICHE

TENSIONE NOMINALE : 380V/220V
: 24V c.c.

CORRENTE NOMINALE : 16 - 25A
FREQUENZA : 50/60 Hz
MAX CAPACITA' CONDENSATORI : 470 MUF

TARGHETTA METALLICA

CACCIALANZA & C. S.p.a.
TIPO : EJB-61/LKS6-1
EEEx-d II B T3 IP55
CESI - Ex , 93 C 090

LEGENDA

- A - SEGALATORI LUMINOSI
- B - INTERRUTTORE GENERALE
- C - PULSANTI
- D - DISPOSITIVO DI SCARICO E RESPIRAZIONE
- E - DISPOSITIVO DI SCARICO E RESPIRAZIONE
- F - PRESSACAVI (7xPG29+2xPG21)

NOTA: ESECUZIONE ANTIDEFLAGRANTE EEx-d II BT3

UZA-1 PANEL

CACCIALANZA & C. S.p.A. ANTINCENDIO SICUREZZA ANTINQUINAMENTO SEGRATE (MILANO) - ITALY	TITLE	CLIENT	DATE	14.09.2001	DWG N°	46414421	
	MONITOR 4 MOTIONS		SCALE	/	PROJECT N°		
	TYPE A2-A4-A6-A8/EL		DRAWN	An.T.			
			0 ISSUED	11.02.02	CHECKED	AL.T.	
		REV.	MODIFY	DATE	APPROVED	A.M.	SHEET N° 12 OF 12