

0	14.09.2001	ISSUED	An.T.	Al.T.	A.M.
Rev.	Date	Description	Drawn	Checked	Approved
CACCIALANZA & C. <small>s.p.A.</small> ANTINCENDIO SICUREZZA ANTINQUINAMENTO SEGRATE (MILANO) - ITALY		Client / Project			
		Title			
	Date	Name	PANEL 1 MONITOR (2 MOV.) AND MO VALVE WITH NOZZLE DEFLECTOR LKS6 EExd IIB T3		
Drawn	14.09.2001	An.T.			
Checked	14.09.2001	Al.T.			
Approved	14.09.2001	A.M.			
Code	Sys.	Size	Scale	Dwg nr.	Rev.
		A3	/	46414121	0
		Sheet			1
		of			12
THIS DRAWING IS THE PROPERTY OF CACCIALANZA & C. S.p.A. AND IS NOT TO BE REPRODUCED OR USED TO FURNISH ANY INFORMATION FOR MAKING OF DRAWINGS OR APPARATUS EXCEPT WHERE PROVIDED FOR BY AGREEMENT WITH SAID COMPANY					

a	b	c	d	e	f	g	h	i	j	k	m	n	p	q	r												
SHEET	DESCRIPTION						MODIFY					SHEET	DESCRIPTION						MODIFY					0			
							A	B	C	D	E								F	G	H	I	A		B	C	D
1	COVER						0						29														
2	MODIFY TABLE						0						30														
3	TECHNICAL DATA						0						31														1
4	WIRE COLOUR TABLE						0						32														
5	POWER WIRING						0						33														
6	UZM-2 PANEL WIRING						0						34														2
7	UZM-1 PANEL -M01.1 WIRING RIGHT/LEFT						0						35														
8	UZM-1 PANEL -M01.2 WIRING UP/DOWN						0						36														
9	UZM-1 PANEL -N1 WIRING FULL/SPRAY						0						37														3
10	UZM-1 PANEL -VA1 WIRING OPEN/CLOSED						0						38														
11	UZM-2 LAY-OUT AND FRONT PANEL						0						39														
12	UZM-1 LAY-OUT AND FRONT PANEL						0						40														4
13													41														
14													42														
15													43														5
16													44														
17													45														
18													46														6
19													47														
20													48														
21													49														7
22													50														
23													51														
24													52														
25													53														8
26													54														
27													55														
28													56														9

CACCIALANZA & C. s.p.a ANTINCENDIO SICUREZZA ANTINQUINAMENTO SEGRATE (MILANO) - ITALY	TITLE		CLIENT		DATE	14.09.2001	DWG N°	46414121
	MONITOR 4 MOTIONS				SCALE	/	PROJECT N°	
	TYPE A2-A4-A6-A8/EL				DRAWN	An.T.		
					0	ISSUED	14.09.01	CHECKED
				REV.	MODIFY	DATE	APPROVED	A.M.
								SHEET N° 2 OF 12

a b c d e f g h i j k m n p q r

0
1
2
3
4
5
6
7
8
9

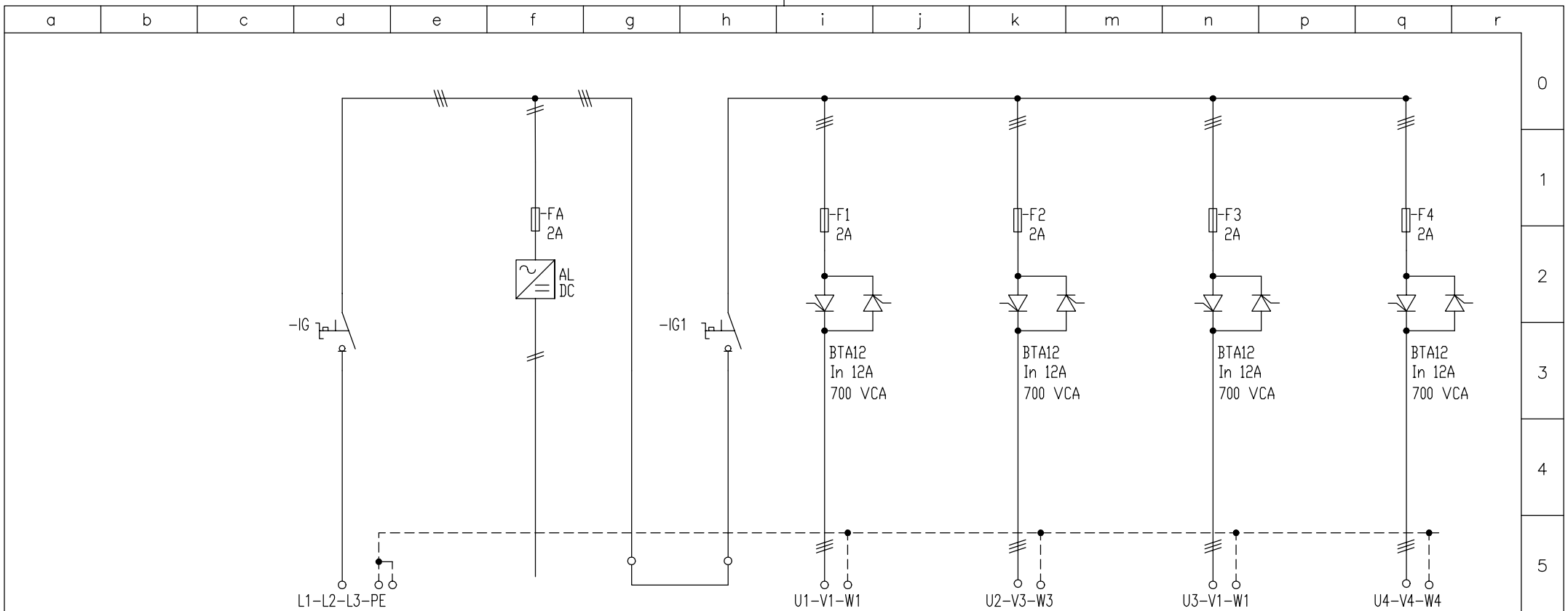
PANEL BOARD TECHNICAL DATA		
RATED SERVICE VOLTAGE:.....400V	TYPE OF SEGREGATION:.....FORM 1	TEMPERATURE:.....40°C
RATED INSULATION VOLTAGE:.....1000V	INSTALLATION:.....OUTDOOR	DEGREE OF PROTECTION:see page 10-11
RATED FREQUENCY:.....50Hz	COMPLIANCE WITH STANDARD:.....CEI 17/13.1	COLOR:.....RED RAL3000
ELECTRICAL SYSTEM:.....3Ph+PE	IN/OUT CABLES:.....BOTTOM	

CACCIALANZA & C. s.p.a ANTINCENDIO SICUREZZA ANTINQUINAMENTO SEGRATE (MILANO) - ITALY	TITLE MONITOR 4 MOTIONS TYPE A2-A4-A6-A8/EL	CLIENT	DATE	14.09.2001	DWG N° 46414121
			SCALE	/	
			DRAWN	An.T.	
			CHECKED	Al.T.	
0	ISSUED	14.09.01	CHECKED	Al.T.	PROJECT N°
REV.	MODIFY	DATE	APPROVED	A.M.	

a b c d e f g h i j k m n p q r

0
1
2
3
4
5
6
7
8
9

POWER CIRCUIT		AUXILIARY CIRCUIT	
MIN. SECTION 2,5mmq		MIN. SECTION 1,5mmq	
CONDUCTOR		CONDUCTOR	
PHASES	BLACK	24V - C.A.	RED
NEUTRAL	LIGHT BLUE	110V - A.C	RED
GROUND	YELLOW-GREEN	220V - A.C	BLACK
		24V - D.C	BLUE
WIRE COLOUR TABLE			



USE	CIRCUIT		n?		MAIN SUPPLY		RIGHT/LEFT MONITOR M01.1		UP/DOWN MONITOR M01.2		FULL/SPRAY NOZZLE -N1		OPEN/CLOSED VALVE-VA1	
	DESCRIPTION		Kw	A	1	2	0,45	0,9	0,45	0,9	0,45	0,9	0,45	0,9
ELECTRICAL EQUIPMENT	SWITCH	TYPE			P1-25	Z	
		RATED CURRENT - N. POLES	A	n?	25	3	
		BREAKING CAPACITY	V	KA	400		
		SETTING CURRENT MAG. ELEMENT	A				
		SETTING CURRENT THE. ELEMENT	A				
	THERMAL RELAY	TYPE					AC-3		AC-3		AC-3		AC-3	
		RATED CURRENT	A				
		UTILIZATION CATEGORY					
		SETTING RANGE	A				
		SETTING CURRENT	A				
FUSEHOLDER	- TYPE & CURRENT		A				
	FUSES - TYPE & SETTING CURRENT		A				
LINE	AMMETER						
	VOLMETER						
	CABLE	TYPE					(4G2,5)		(4G2,5)		(4G2,5)		(4G2,5)	
		SECTION	mmq				
LANCE		mt					
RATED CURRENT(Iz)		A					

CACCIALANZA & C. s.p.a
 ANTINCENDIO SICUREZZA ANTINQUINAMENTO
 SEGRATE (MILAND) - ITALY

TITLE
MONITOR 4 MOTIONS
 TYPE A2-A4-A6-A8/EL

CLIENT

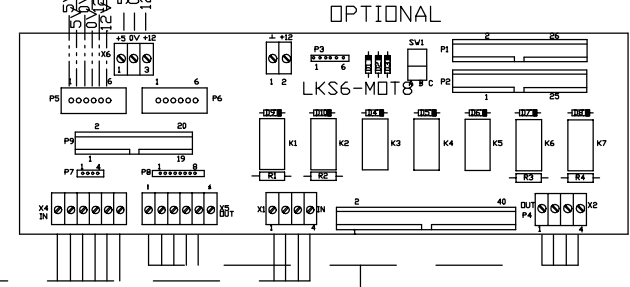
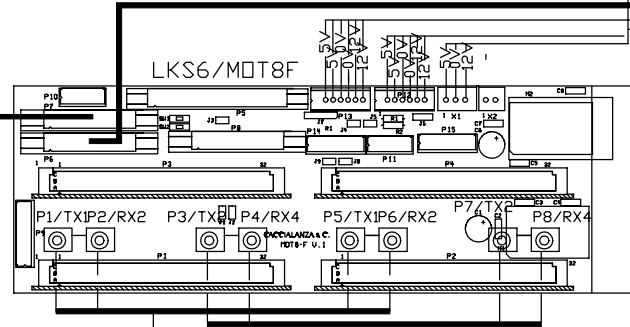
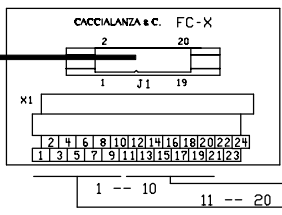
DATE	14.09.2001	DWG N°	46414121
SCALE	/	PROJECT N°	
DRAWN	An.T.	CHECKED	AL.T.
0 ISSUED	14.09.01	APPROVED	A.M.
REV.	MODIFY	DATE	APPROVED A.M.

a b c d e f g h i j k m n p q r

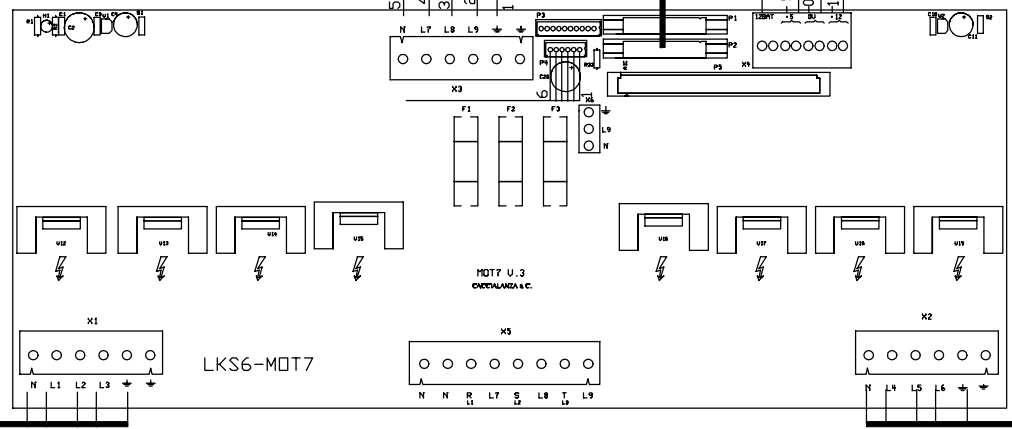
TO UZM-1 PANEL

UZM-2 PANEL

CAVO TIPO



12V BATT.



LKS6-MOT7

CABLE "IN" LOOP

CABLE "OUT" LOOP

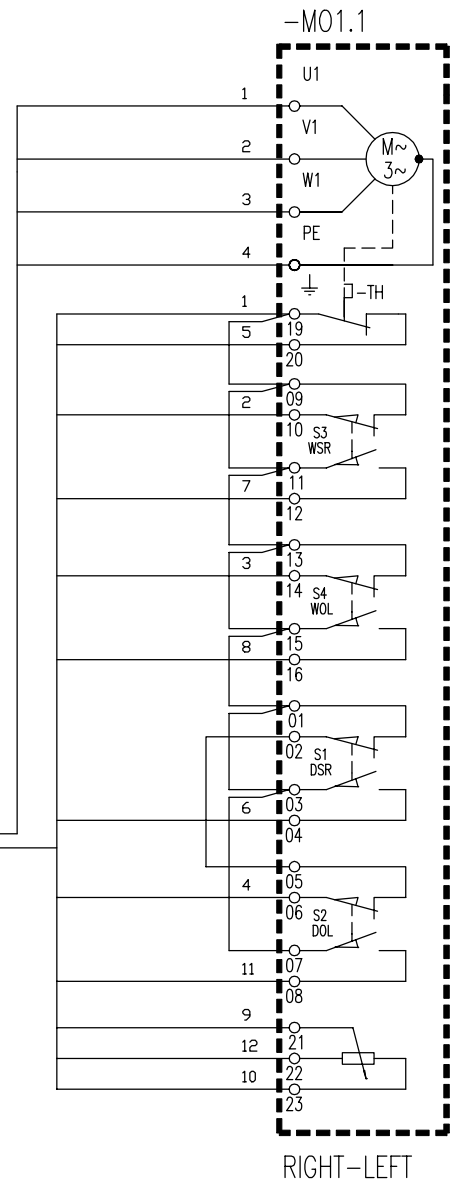
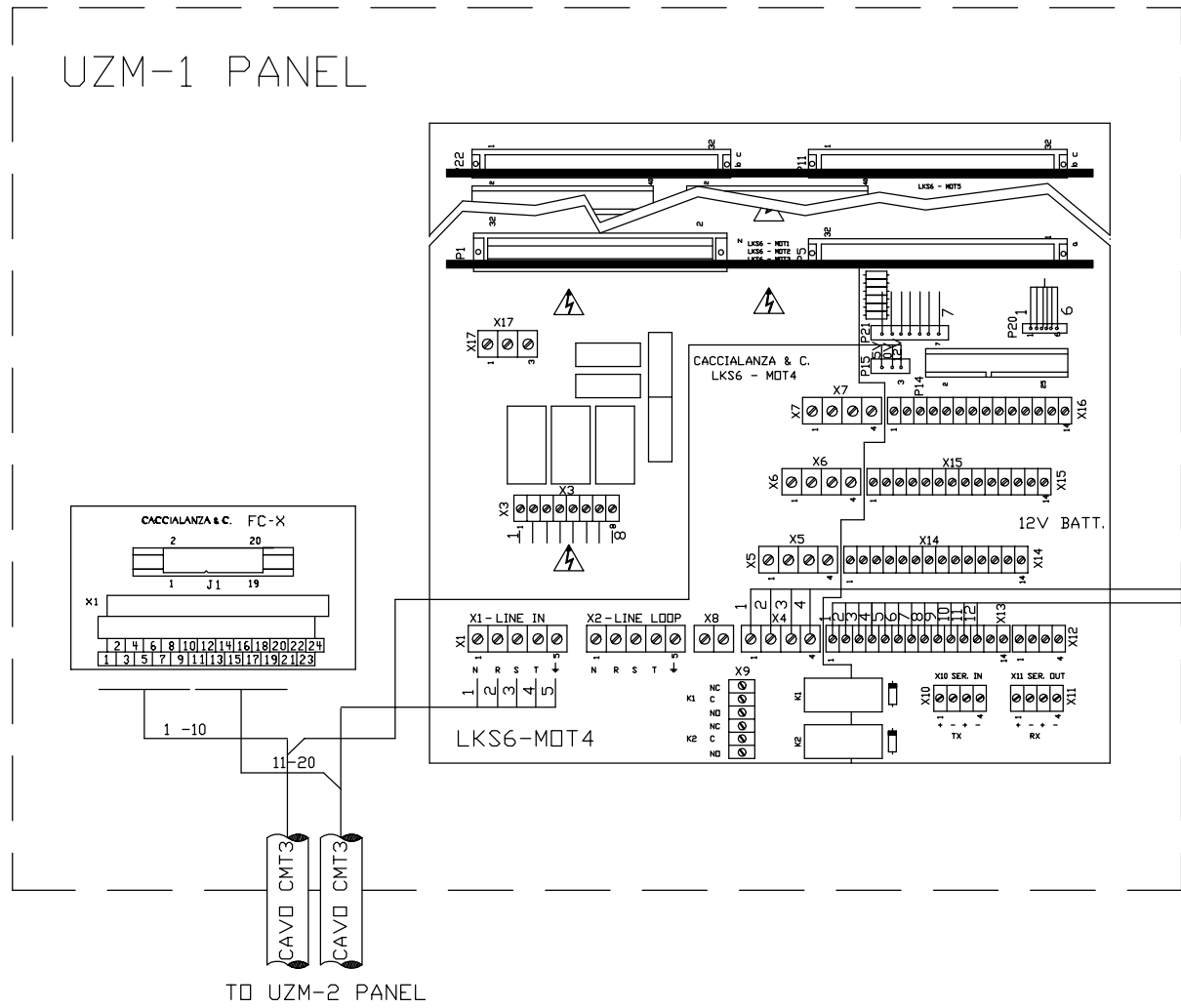
CACCIALANZA & C. S.p.A.
ANTINCENDIO SICUREZZA ANTINQUINAMENTO
SEGRATE (MILANO) - ITALY

TITLE
MONITOR 4 MOTIONS
TYPE A2-A4-A6-A8/EL

CLIENT

DATE	14.09.2001	DWG N°	46414121
SCALE	/	PROJECT N°	
DRAWN	An.T.	SHEET N°	6
CHECKED	AL.T.	OF 12	
APPROVED	A.M.		
REV.	MODIFY	DATE	APPROVED
0	ISSUED	14.09.01	

UZM-1 PANEL



CACCIALANZA & C. S.p.A.
 ANTINCENDIO SICUREZZA ANTINQUINAMENTO
 SEGRATE (MILANO) - ITALY

TITLE
 MONITOR 4 MOTIONS
 TYPE A2-A4-A6-A8/EL

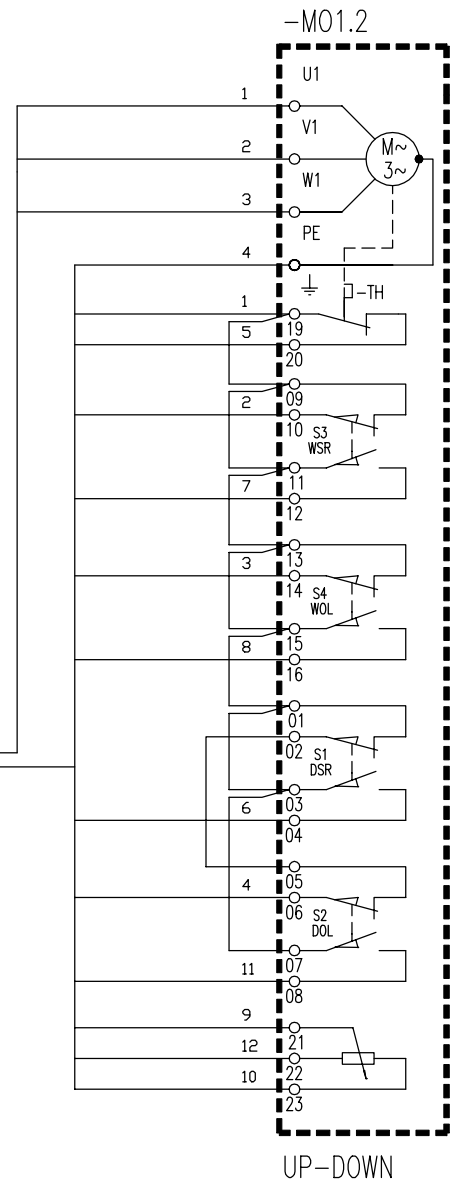
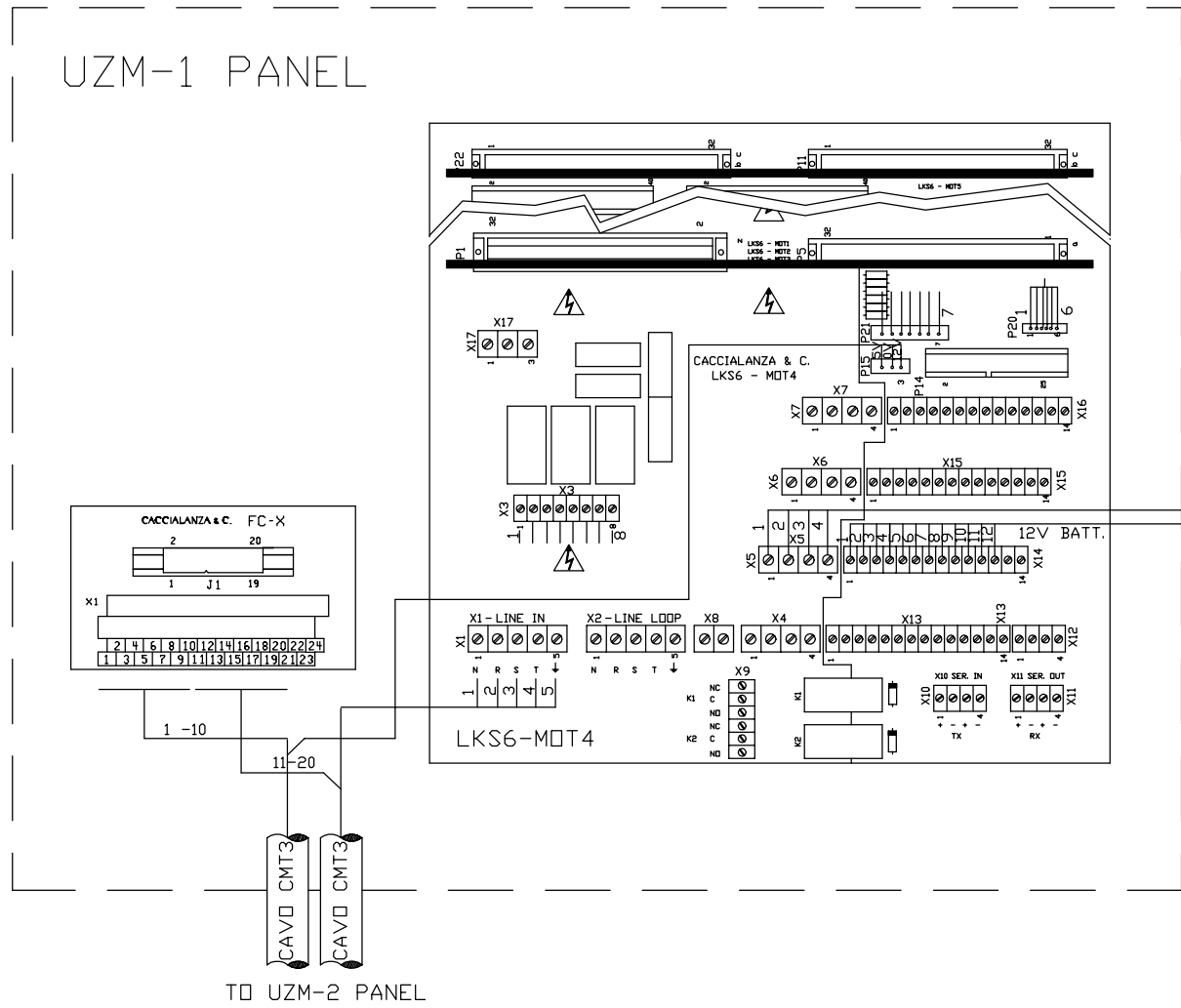
CLIENT

DATE	14.09.2001
SCALE	/
DRAWN	An.T.
CHECKED	AL.T.
APPROVED	A.M.

DWG N° 46414121
PROJECT N°
 SHEET N. 7 OF 12

0	ISSUED	14.09.01
REV.	MODIFY	DATE

UZM-1 PANEL



CACCIALANZA & C. S.p.A.
ANTINCENDIO SICUREZZA ANTINQUINAMENTO
SEGRATE (MILANO) - ITALY

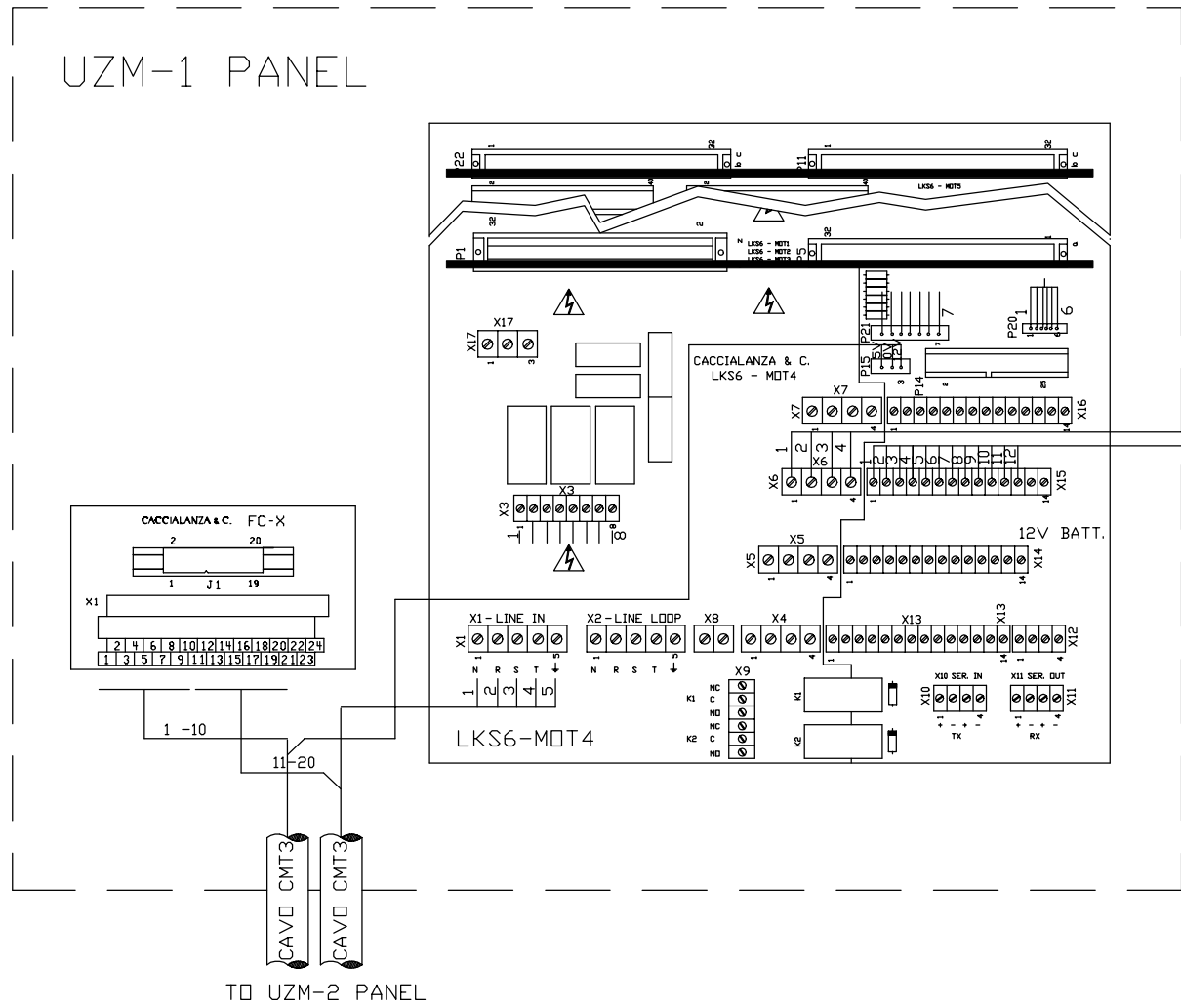
TITLE
MONITOR 4 MOTIONS
TYPE A2-A4-A6-A8/EL

CLIENT

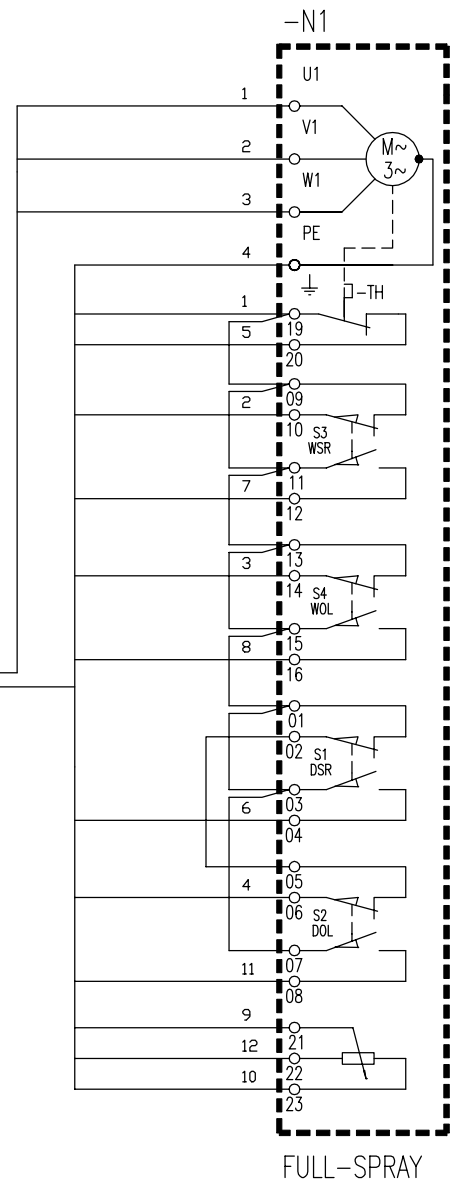
DATE	14.09.2001
SCALE	/
DRAWN	An.T.
CHECKED	AL.T.
DATE	14.09.01
APPROVED	A.M.

DWG N° 46414121
PROJECT N°
SHEET N. 8 OF 12

UZM-1 PANEL



TO UZM-2 PANEL



FULL-SPRAY

CACCIALANZA & C. S.p.A.
ANTINCENDIO SICUREZZA ANTINQUINAMENTO
SEGRATE (MILANO) - ITALY

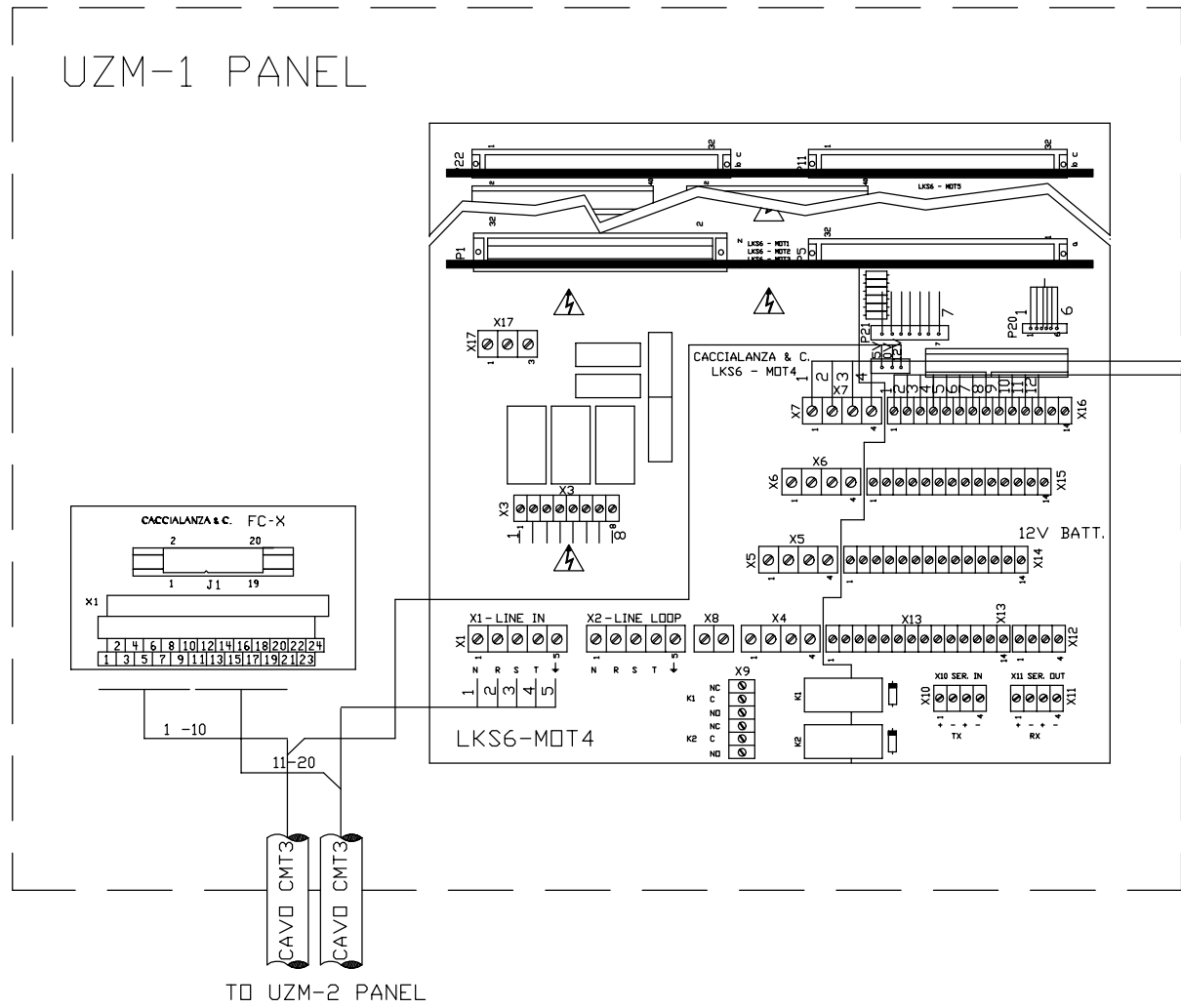
TITLE
MONITOR 4 MOTIONS
TYPE A2-A4-A6-A8/EL

CLIENT

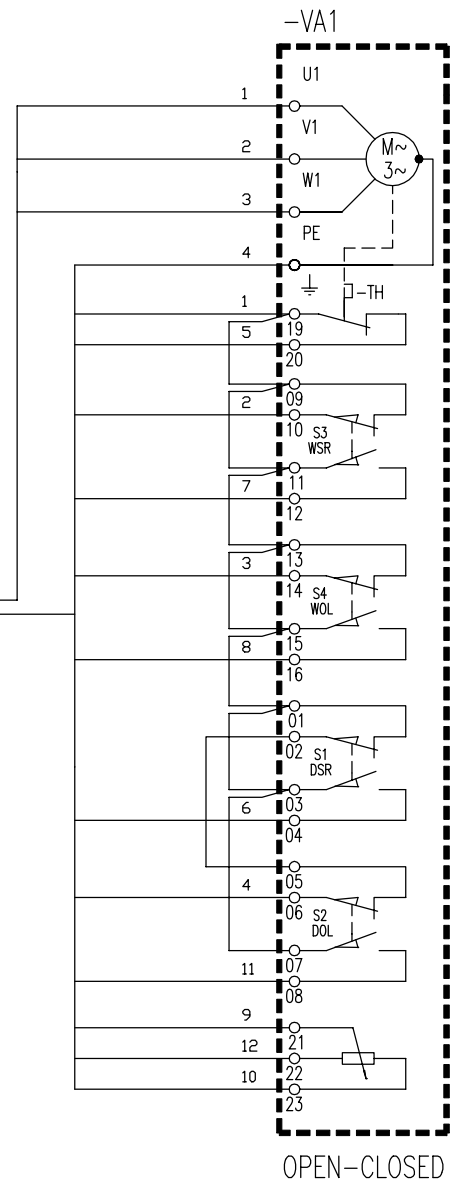
DATE	14.09.2001
SCALE	/
DRAWN	An.T.
CHECKED	AL.T.
APPROVED	A.M.
REV.	MODIFY
0	ISSUED
14.09.01	DATE

DWG N° 46414121
PROJECT N°
SHEET N. 9 OF 12

UZM-1 PANEL



TO UZM-2 PANEL



OPEN-CLOSED

CACCIALANZA & C. S.p.A.
ANTINCENDIO SICUREZZA ANTINQUINAMENTO
SEGRATE (MILANO) - ITALY

TITLE
MONITOR 4 MOTIONS
TYPE A2-A4-A6-A8/EL

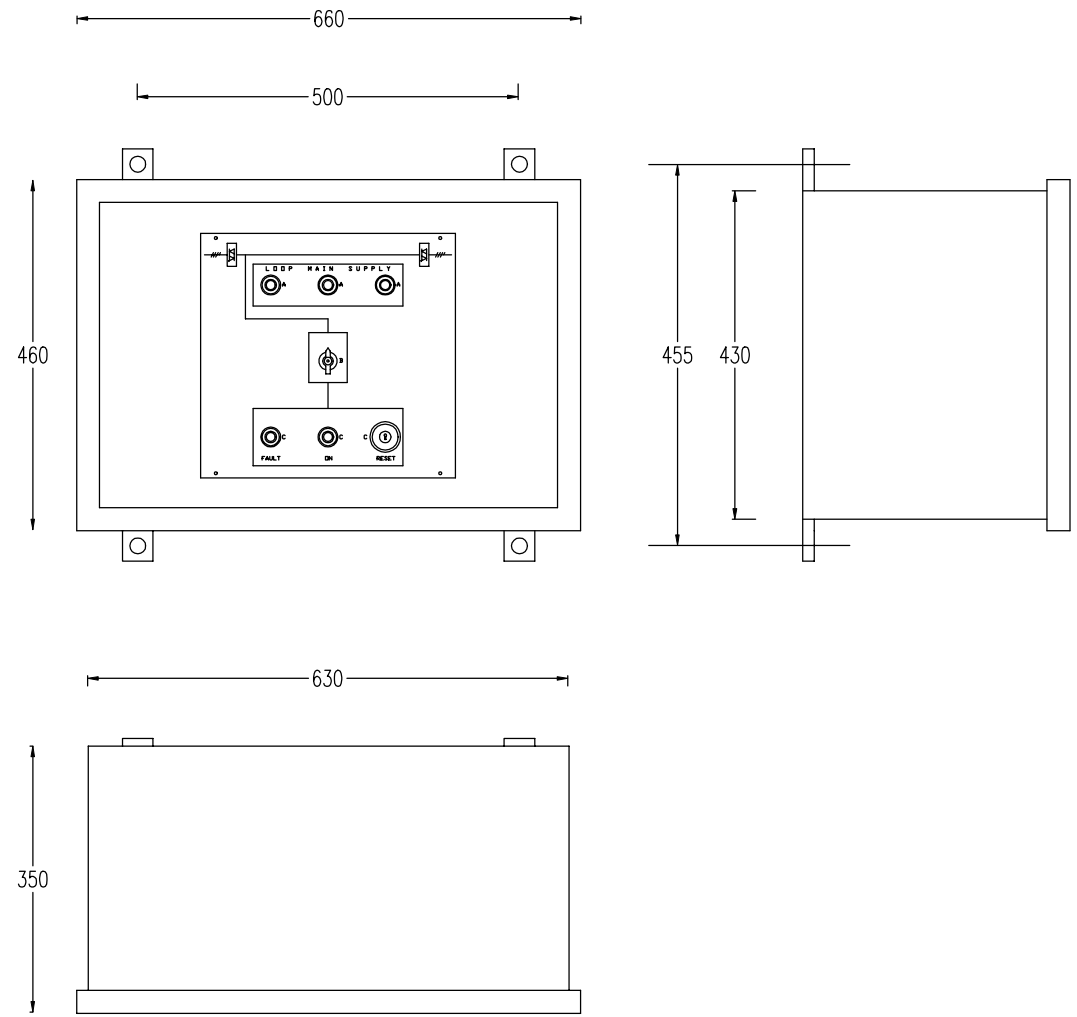
CLIENT

DATE	14.09.2001
SCALE	/
DRAWN	An.T.
CHECKED	AL.T.
REV.	MODIFY
DATE	APPROVED
	A.M.

DWG N° 46414121
PROJECT N°
SHEET N. 10 OF 12

a b c d e f g h i j k m n p q r

0
1
2
3
4
5
6
7
8
9



DENOMINAZIONE CUSTODIA : EJB61 = LKS6-2
 CARATTERISTICHE ELETTRICHE
 TENSIONE NOMINALE : 380V/220V
 : 24V c.c.
 CORRENTE NOMINALE : 16 - 25A
 FREQUENZA : 50/60 Hz
 MAX CAPACITA' CONDENSATORI : 470 MUF

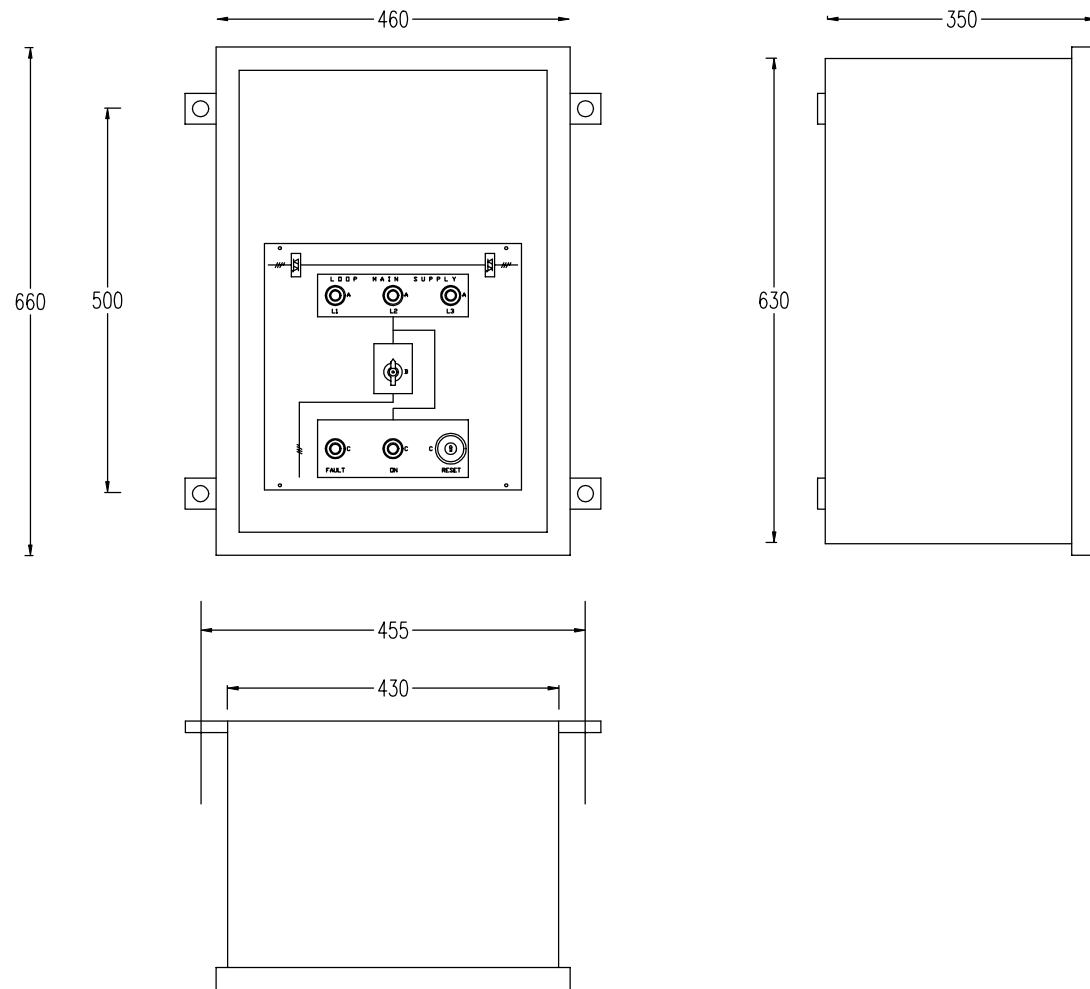
TARGHETTA METALLICA
 CACCIALANZA & C. S.p.a.
 TIPO : EJB-61/LKS6-2
 EEx-d II B T3 IP55
 CESI - Ex , 93 C 090

LEGENDA
 A - SEGALATORI LUMINOSI
 B - INTERRUTTORE GENERALE
 C - PULSANTI
 D - DISPOSITIVO DI SCARICO E RESPIRAZIONE
 E - DISPOSITIVO DI SCARICO E RESPIRAZIONE
 F - PRESSACAVI (4xPG29)

NOTA: ESECUZIONE ANTIDEFLAGRANTE EEx-d II BT3
 UZM-2 PANEL

CACCIALANZA & C. S.p.A. ANTINCENDIO SICUREZZA ANTINQUINAMENTO SEGRATE (MILANO) - ITALY	TITLE	CLIENT	DATE	14.09.2001	DWG N°	46414121
	MONITOR 4 MOTIONS		SCALE	/	PROJECT N°	
	TYPE A2-A4-A6-A8/EL		DRAWN	An.T.		
			CHECKED	AL.T.		
			REV.	MODIFY	DATE	APPROVED
					SHEET N°	11 OF 12

a b c d e f g h i j k m n p q r



DENOMINAZIONE CUSTODIA : EJB61 = LKS6-1

CARATTERISTICHE ELETTRICHE

TENSIONE NOMINALE : 380V/220V
: 24V c.c.

CORRENTE NOMINALE : 16 - 25A
FREQUENZA : 50/60 Hz
MAX CAPACITA' CONDENSATORI : 470 MUF

TARGHETTA METALLICA

CACCIALANZA & C. S.p.a.
TIPO : EJB-61/LKS6-1
EEEx-d II B T3 IP55
CESI - Ex . 93 C 090

LEGENDA

- A - SEGALATORI LUMINOSI
- B - INTERRUTTORE GENERALE
- C - PULSANTI
- D - DISPOSITIVO DI SCARICO E RESPIRAZIONE
- E - DISPOSITIVO DI SCARICO E RESPIRAZIONE
- F - PRESSACAVI (7xPG29+2xPG21)

NOTA: ESECUZIONE ANTIDEFLAGRANTE EEx-d II BT3

UzM-1 PANEL

CACCIALANZA & C. S.p.A.
ANTINCENDIO SICUREZZA ANTINQUINAMENTO
SEGRATE (MILANO) - ITALY

TITLE
MONITOR 4 MOTIONS
TYPE A2-A4-A6-A8/EL

CLIENT

			DATE	14.09.2001	DWG N°	46414121
			SCALE	/		
			DRAWN	An.T.	PROJECT N°	
			CHECKED	AL.T.		
REV.	MODIFY	DATE	APPROVED	A.M.	SHEET N°	12 OF 12