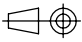


0	14.09.2001	ISSUED	An.T.	Al.T.	A.M.
Rev.	Date	Description	Drawn	Checked	Approved
CACCIALANZA & C. <small>s.p.A.</small> ANTINCENDIO SICUREZZA ANTINQUINAMENTO SEGRATE (MILANO) - ITALY		Client / Project			
	Date	Name	Title PANEL 1 MONITOR (2 MOV.) AND MO VALVE LKS6 EExd IIB T3		
Drawn	14.09.2001	An.T.			
Checked	14.09.2001	Al.T.			
Approved	14.09.2001	A.M.			
Code	Sys.	Size	Scale	Dwg nr.	Rev.
		A3	/	46414111	0
					Sheet 1 of 11

THIS DRAWING IS THE PROPERTY OF CACCIALANZA & C. S.p.A. AND IS NOT TO BE REPRODUCED OR USED TO FURNISH ANY INFORMATION FOR MAKING OF DRAWINGS OR APPARATUS EXCEPT WHERE PROVIDED FOR BY AGREEMENT WITH SAID COMPANY

a	b	c	d	e	f	g	h	i	j	k	m	n	p	q	r												
SHEET	DESCRIPTION						MODIFY					SHEET	DESCRIPTION						MODIFY					0			
							A	B	C	D	E								F	G	H	I	A		B	C	D
1	COVER						0						29														
2	MODIFY TABLE						0						30														
3	TECHNICAL DATA						0						31														
4	WIRE COLOUR TABLE						0						32														
5	POWER WIRING						0						33														
6	UZM-2 PANEL WIRING						0						34														
7	UZM-1 PANEL -M01.1 WIRING RIGHT/LEFT						0						35														
8	UZM-1 PANEL -M01.2 WIRING UP/DOWN						0						36														
9	UZM-1 PANEL -VA1 WIRING OPEN/CLOSED						0						37														
10	UZM-2 LAY-OUT AND FRONT PANEL						0						38														
11	UZM-1 LAY-OUT AND FRONT PANEL						0						39														
12													40														
13													41														
14													42														
15													43														
16													44														
17													45														
18													46														
19													47														
20													48														
21													49														
22													50														
23													51														
24													52														
25													53														
26													54														
27													55														
28													56														

CACCIALANZA & C. s.p.a ANTINCENDIO SICUREZZA ANTINQUINAMENTO SEGRATE (MILANO) - ITALY	TITLE		CLIENT		DATE	14.09.2001	DWG N°	46414111		
	MONITOR 3 MOTIONS				SCALE	/	PROJECT N°			
	TYPE A2-A4-A6-A8/EL				DRAWN	An.T.				
					0	ISSUED	14.09.01	CHECKED	AL.T.	
				REV.	MODIFY	DATE	APPROVED	A.M.		
						SHEET N°		2	OF	11

a b c d e f g h i j k m n p q r

0
1
2
3
4
5
6
7
8
9

PANEL BOARD TECHNICAL DATA

RATED SERVICE VOLTAGE:.....400V	TYPE OF SEGREGATION:.....FORM 1	TEMPERATURE:.....40°C
RATED INSULATION VOLTAGE:.....1000V	INSTALLATION:.....OUTDOOR	DEGREE OF PROTECTION:see page 9-10
RATED FREQUENCY:.....50Hz	COMPLIANCE WITH STANDARD:.....CEI 17/13.1	COLOR:.....RED RAL3000
ELECTRICAL SYSTEM:.....3Ph+PE	IN/OUT CABLES:.....BOTTOM	

CACCIALANZA & C. s.p.a
 ANTINCENDIO SICUREZZA ANTINQUINAMENTO
 SEGRATE (MILANO) - ITALY

TITLE
MONITOR 3 MOTIONS
TYPE A2-A4-A6-A8/EL

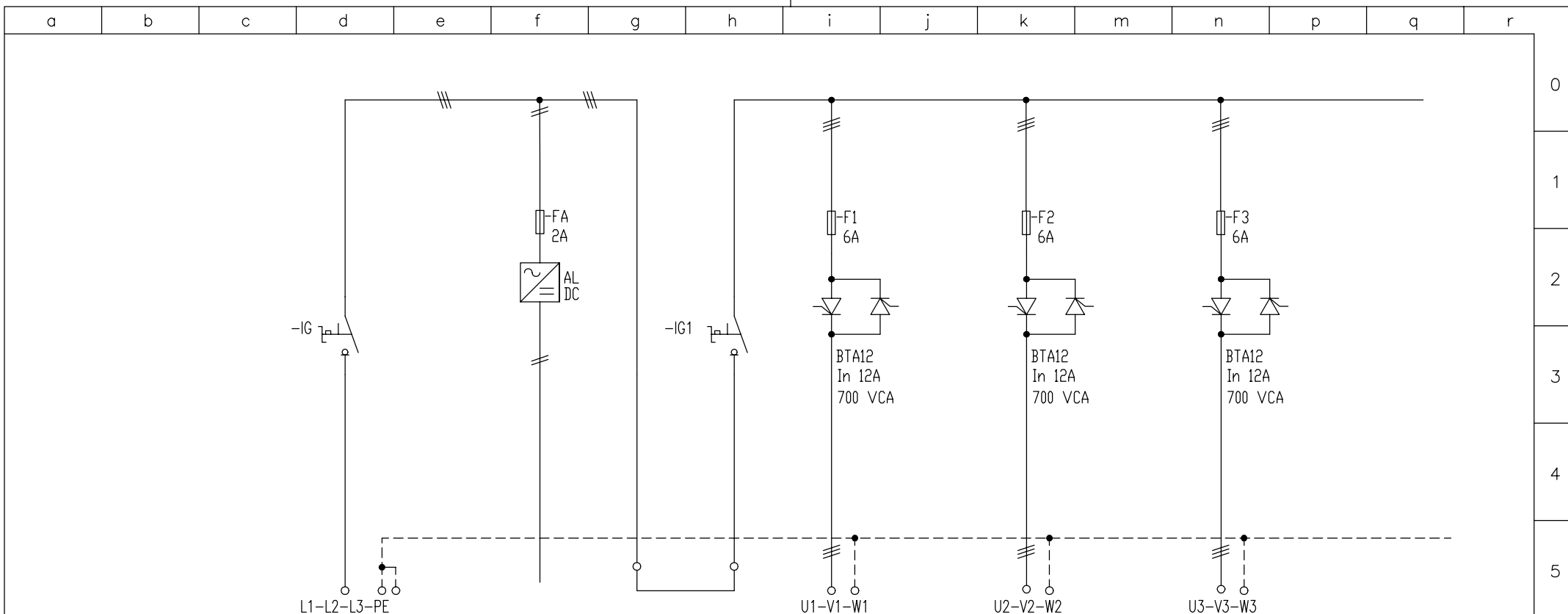
CLIENT

			DATE	14.09.2001	DWG N°	46414111
			SCALE	/		
			DRAWN	An.T.	PROJECT N°	
0	ISSUED	14.09.01	CHECKED	ALT.		
REV.	MODIFY	DATE	APPROVED	A.M.	SHEET N°	3 OF 11

a b c d e f g h i j k m n p q r

0
1
2
3
4
5
6
7
8
9

POWER CIRCUIT		AUXILIARY CIRCUIT	
MIN. SECTION 2,5mmq		MIN. SECTION 1,5mmq	
CONDUCTOR		CONDUCTOR	
PHASES	BLACK	24V - C.A.	RED
NEUTRAL	LIGHT BLUE	110V - A.C	RED
GROUND	YELLOW-GREEN	220V - A.C	BLACK
		24V - D.C	BLUE
WIRE COLOUR TABLE			



USE	CIRCUIT		n?		MAIN SUPPLY		RIGHT/LEFT MONITOR M01.1		UP/DOWN MONITOR M01.2		OPEN/CLOSED VALVE -VA1	
	DESCRIPTION		Kw	A	1	2	0,45	0,9	0,45	0,9	0,45	0,9
ELECTRICAL EQUIPMENT	RATED SERVICE POWER AND CURRENT		Kw	A								
			Kw	A	1	2	0,45	0,9	0,45	0,9	0,45	0,9
	SWITCH	TYPE			P1-25	Z	
		RATED CURRENT - N. POLES	A	n?	25	3						
		BREAKING CAPACITY	V	KA	400							
		SETTING CURRENT MAG. ELEMENT	A									
	SETTING CURRENT THE. ELEMENT	A										
	SETTING CURRENT Id	A										
	CON-FACTOR	TYPE										
		RATED CURRENT	A									
UTILIZATION CATEGORY						AC-3		AC-3		AC-3		
THERMAL RELAY	TYPE											
	SETTING RANGE	A										
	SETTING CURRENT	A										
	FUSEHOLDER - TYPE & CURRENT	A										
	FUSES - TYPE & SETTING CURRENT	A										
	AMMETER											
	VOLTMETER											
LINE	CABLE	TYPE										
		SECTION	mmq				(4G2,5)		(4G2,5)		(4G2,5)	
		LANCE	mt									
		RATED CURRENT(Iz)	A									

CACCIALANZA & C. s.p.a
 ANTINCENDIO SICUREZZA ANTINQUINAMENTO
 SEGRATE (MILAND) - ITALY

TITLE
MONITOR 3 MOTIONS
 TYPE A2-A4-A6-A8/EL

CLIENT

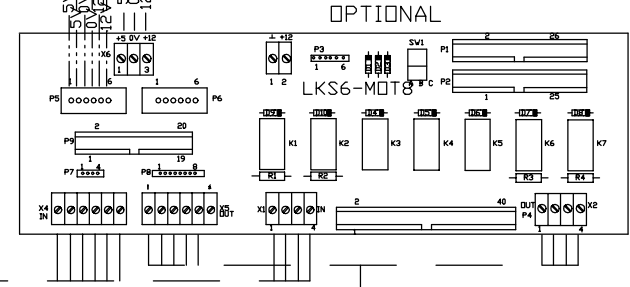
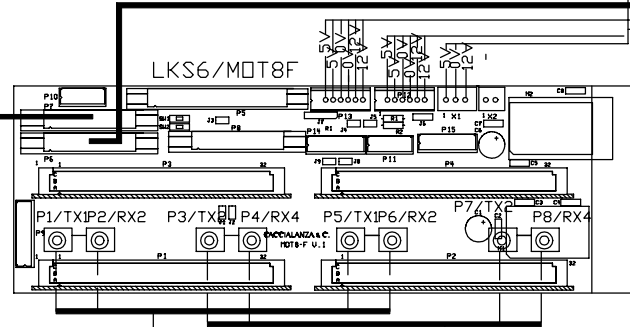
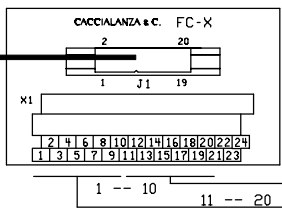
DATE	14.09.2001	DWG N°	46414111
SCALE	/	PROJECT N°	
DRAWN	An.T.	CHECKED	AL.T.
0 ISSUED	14.09.01	DATE	APPROVED A.M.
REV.	MODIFY	DATE	APPROVED A.M.

a b c d e f g h i j k m n p q r

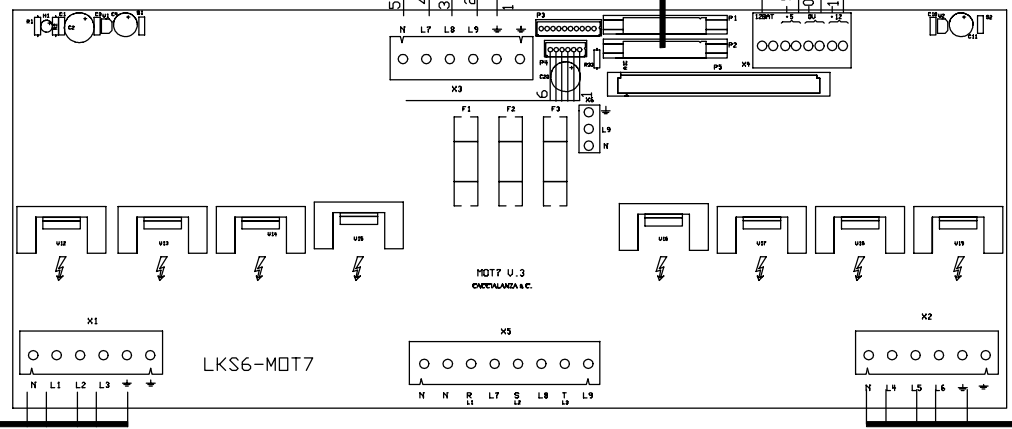
TO UZM-1 PANEL

UZM-2 PANEL

CAVO TIPO



12V BATT.



CABLE "IN" LOOP

CABLE "OUT" LOOP

CACCIALANZA & C. S.p.A
ANTINCENDIO SICUREZZA ANTINQUINAMENTO
SEGRATE (MILANO) - ITALY

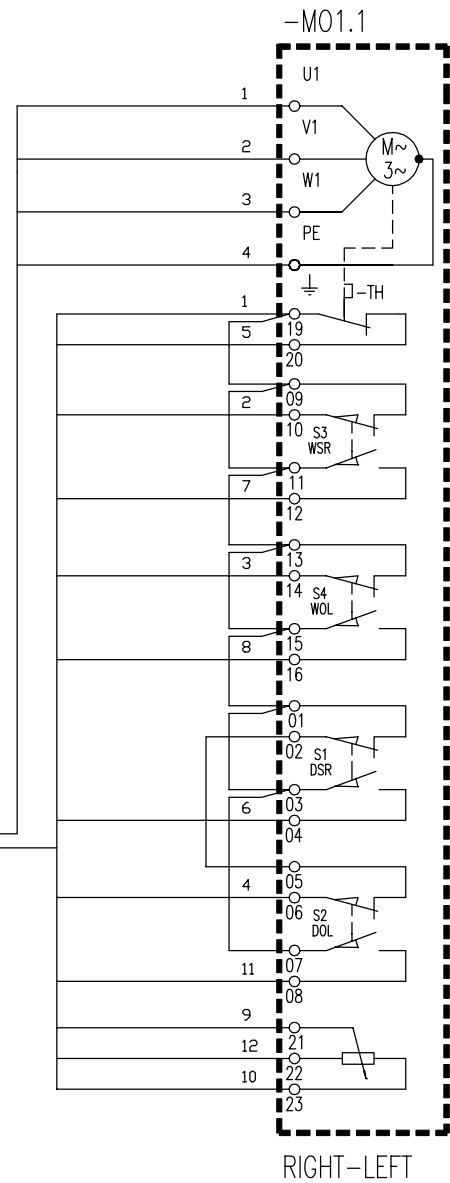
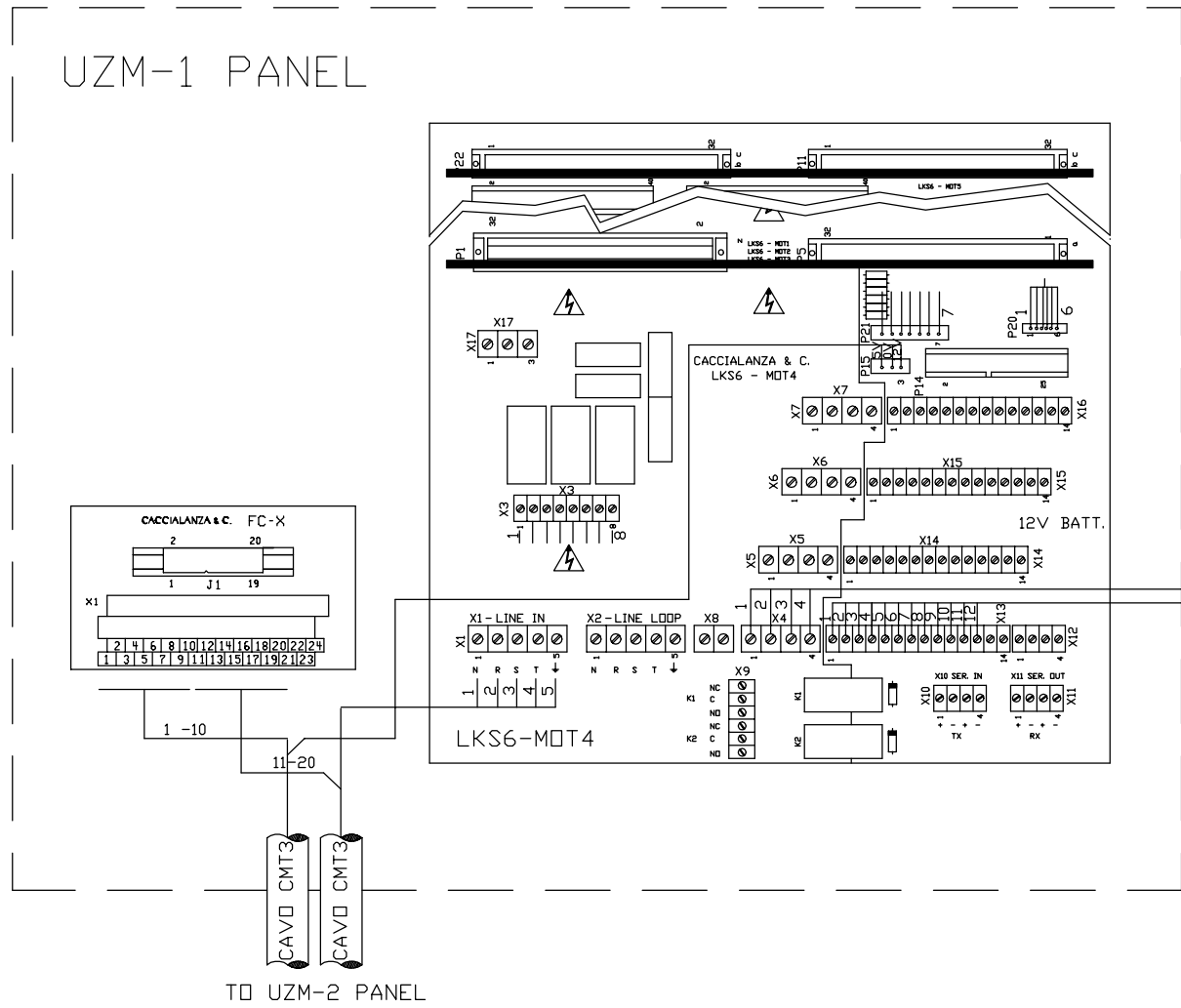
TITLE
MONITOR 3 MOTIONS
TYPE A2-A4-A6-A8/EL

CLIENT

DATE	14.09.2001
SCALE	/
DRAWN	An.T.
CHECKED	AL.T.
APPROVED	A.M.
REV.	MODIFY
DATE	14.09.01

DWG N° 46414111
PROJECT N°
SHEET N. 6 OF 11

UZM-1 PANEL



CACCIALANZA & C. S.p.A.
 ANTINCENDIO SICUREZZA ANTINQUINAMENTO
 SEGRATE (MILANO) - ITALY

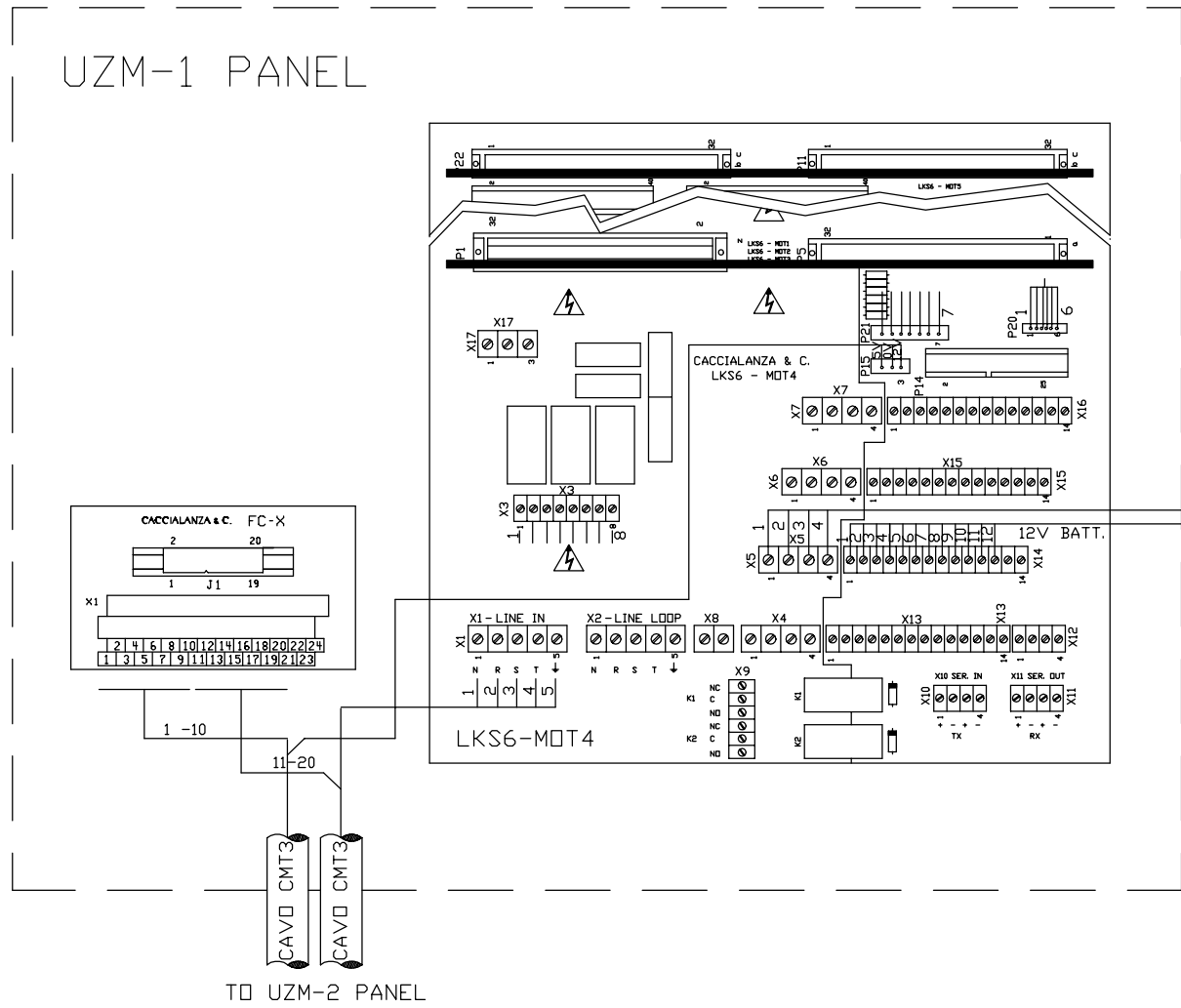
TITLE
MONITOR 3 MOTIONS
 TYPE A2-A4-A6-A8/EL

CLIENT

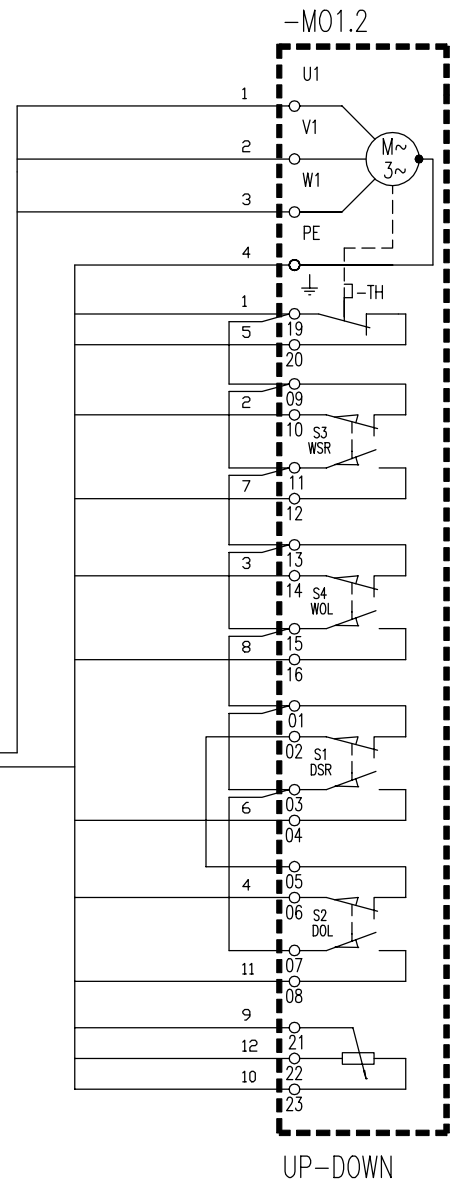
DATE	14.09.2001
SCALE	/
DRAWN	An.T.
CHECKED	AL.T.
APPROVED	A.M.
REV.	MODIFY
DATE	14.09.01

DWG N° 46414111
 PROJECT N°
 SHEET N. 7 OF 11

UZM-1 PANEL



TO UZM-2 PANEL



UP-DOWN

CACCIALANZA & C. S.p.A.
ANTINCENDIO SICUREZZA ANTINQUINAMENTO
SEGRATE (MILANO) - ITALY

TITLE
MONITOR 3 MOTIONS
TYPE A2-A4-A6-A8/EL

CLIENT

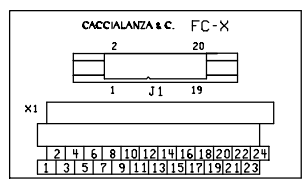
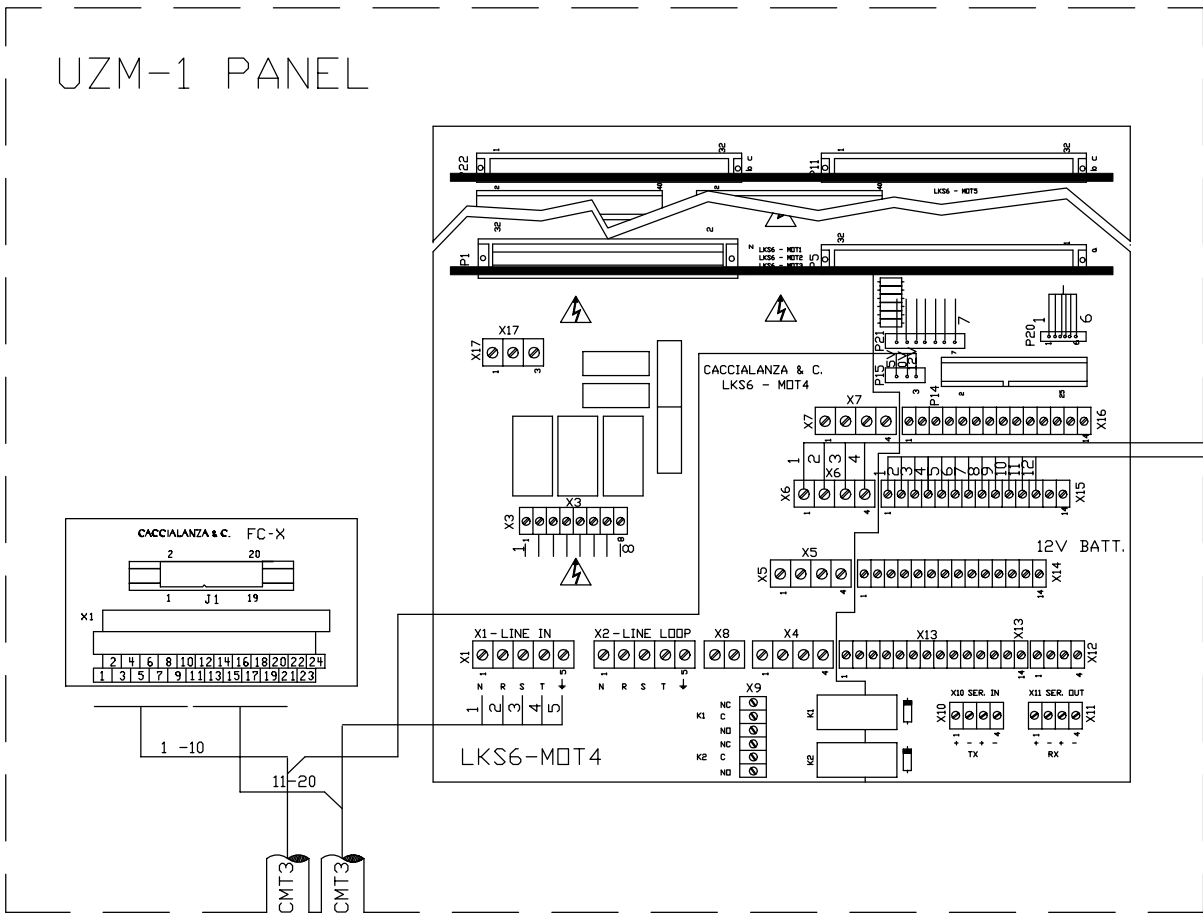
DATE	14.09.2001
SCALE	/
DRAWN	An.T.
CHECKED	AL.T.
DATE	14.09.01
APPROVED	A.M.

DWG N° 46414111
PROJECT N°
SHEET N. 8 OF 11

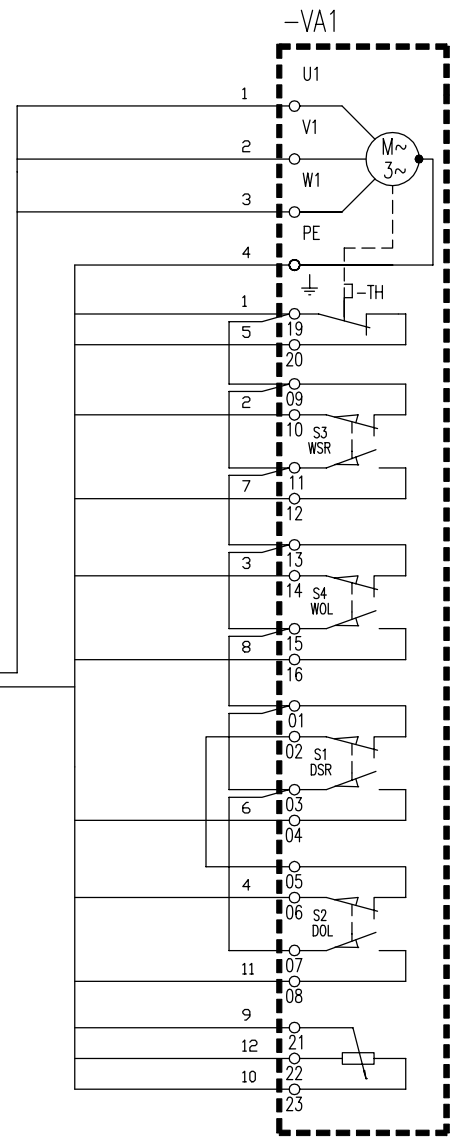
a b c d e f g h i j k m n p q r

0
1
2
3
4
5
6
7
8
9

UZM-1 PANEL



TO UZM-2 PANEL



OPEN-CLOSED

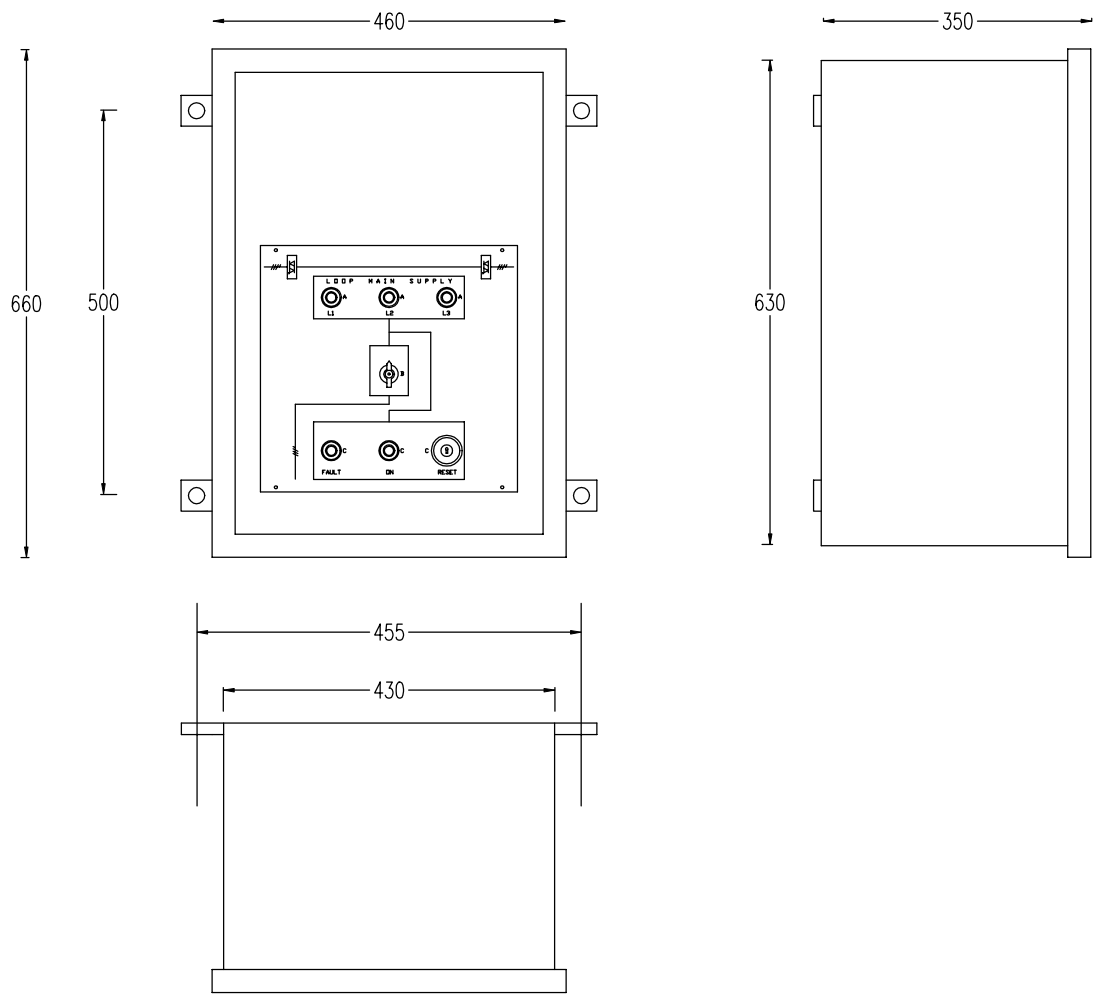
CACCIALANZA & C. S.p.A.
ANTINCENDIO SICUREZZA ANTINQUINAMENTO
SEGRATE (MILANO) - ITALY

TITLE
MONITOR 3 MOTIONS
TYPE A2-A4-A6-A8/EL

CLIENT

DATE	14.09.2001
SCALE	/
DRAWN	An.T.
CHECKED	AL.T.
DATE	14.09.01
APPROVED	A.M.
REV.	MODIFY

DWG N° **46414111**
PROJECT N°
SHEET N. 9 OF 11



DENOMINAZIONE CUSTODIA : EJB61 = LKS6-1

CARATTERISTICHE ELETTRICHE

TENSIONE NOMINALE : 380V/220V
: 24V c.c.

CORRENTE NOMINALE : 16 - 25A
FREQUENZA : 50/60 Hz
MAX CAPACITA' CONDENSATORI : 470 MUF

TARGHETTA METALLICA

CACCIALANZA & C. S.p.a.
TIPO : EJB-61/LKS6-1
EEEx-d II B T3 IP55
CESI - Ex . 93 C 090

LEGENDA

- A - SEGALATORI LUMINOSI
- B - INTERRUTTORE GENERALE
- C - PULSANTI
- D - DISPOSITIVO DI SCARICO E RESPIRAZIONE
- E - DISPOSITIVO DI SCARICO E RESPIRAZIONE
- F - PRESSACAVI (7xPG29+2xPG21)

NOTA: ESECUZIONE ANTIDEFLAGRANTE EEx-d II BT3

UZM-1 PANEL

CACCIALANZA & C. S.p.A. ANTINCENDIO SICUREZZA ANTINQUINAMENTO SEGRATE (MILANO) - ITALY	TITLE MONITOR 3 MOTIONS TYPE A2-A4-A6-A8/EL	CLIENT	DATE 14.09.2001	DWG N° 46414111	
			SCALE /		
			DRAWN An.T.		PROJECT N°
			CHECKED AL.T.		
REV.	MODIFY	DATE	APPROVED A.M.	SHEET N° 11 OF 11	