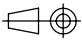


0	14.09.2001	ISSUED					An.T.	Al.T.	A.M.
Rev.	Date	Description					Drawn	Checked	Approved
CACCIALANZA & C. <small>s.p.A.</small> ANTINCENDIO SICUREZZA ANTINQUINAMENTO SEGRATE (MILAND) - ITALY			Client / Project						
			Title						
	Date	Name	PANEL 1 MONITOR (2 MOV.)						
Drawn	14.09.2001	An.T.	LKS6 EExd IIB T3						
Checked	14.09.2001	Al.T.							
Approved	14.09.2001	A.M.							
Code		Sys.	Size	Scale	Dwg nr.	Rev.	Sheet	1	
			A3	/	46414101	0	of	10	
THIS DRAWING IS THE PROPERTY OF CACCIALANZA & C. S.p.A. AND IS NOT TO BE REPRODUCED OR USED TO FURNISH ANY INFORMATION FOR MAKING OF DRAWINGS OR APPARATUS EXCEPT WHERE PROVIDED FOR BY AGREEMENT WITH SAID COMPANY									

a	b	c	d	e	f	g	h	i	j	k	m	n	p	q	r														
SHEET	DESCRIPTION						MODIFY					SHEET	DESCRIPTION						MODIFY					0					
							A	B	C	D	E								F	G	H	I	A		B	C	D	E	F
1	COVER						0						29																
2	MODIFY TABLE						0						30																
3	TECHNICAL DATA						0						31																1
4	WIRE COLOUR TABLE						0						32																
5	POWER WIRING						0						33																
6	UZM-2 PANEL WIRING						0						34																2
7	UZM-1 PANEL -M01.1 WIRING RIGHT/LEFT						0						35																
8	UZM-1 PANEL -M01.2 WIRING UP/DOWN						0						36																
9	UZM-2 LAY-OUT AND FRONT PANEL						0						37																3
10	UZM-1 LAY-OUT AND FRONT PANEL						0						38																
11													39																
12													40																4
13													41																
14													42																
15													43																5
16													44																
17													45																
18													46																6
19													47																
20													48																
21													49																7
22													50																
23													51																
24													52																
25													53																8
26													54																
27													55																
28													56																9

CACCIALANZA & C. s.p.a ANTINCENDIO SICUREZZA ANTINQUINAMENTO SEGRATE (MILANO) - ITALY	TITLE		CLIENT		DATE	14.09.2001	DWG N°	46414101
	MONITOR 2 MOTIONS				SCALE	/	PROJECT N°	
	TYPE A2-A4-A6-A8/EL				DRAWN	AL.T.		
					0	ISSUED	14.09.01	CHECKED
				REV.	MODIFY	DATE	APPROVED	A.M.
								SHEET N° 2 OF 10

a b c d e f g h i j k m n p q r

0
1
2
3
4
5
6
7
8
9

PANEL BOARD TECHNICAL DATA

RATED SERVICE VOLTAGE:.....400V	TYPE OF SEGREGATION:.....FORM 1	TEMPERATURE:.....40°C
RATED INSULATION VOLTAGE:.....1000V	INSTALLATION:.....OUTDOOR	DEGREE OF PROTECTION:see page 9
RATED FREQUENCY:.....50Hz	COMPLIANCE WITH STANDARD:.....CEI 17/13.1	COLOR:.....RED RAL3000
ELECTRICAL SYSTEM:.....3Ph+PE	IN/OUT CABLES:.....BOTTOM	

CACCIALANZA & C. s.p.a
 ANTINCENDIO SICUREZZA ANTINQUINAMENTO
 SEGRATE (MILANO) - ITALY

TITLE
MONITOR 2 MOTIONS
 TYPE A2-A4-A6-A8/EL

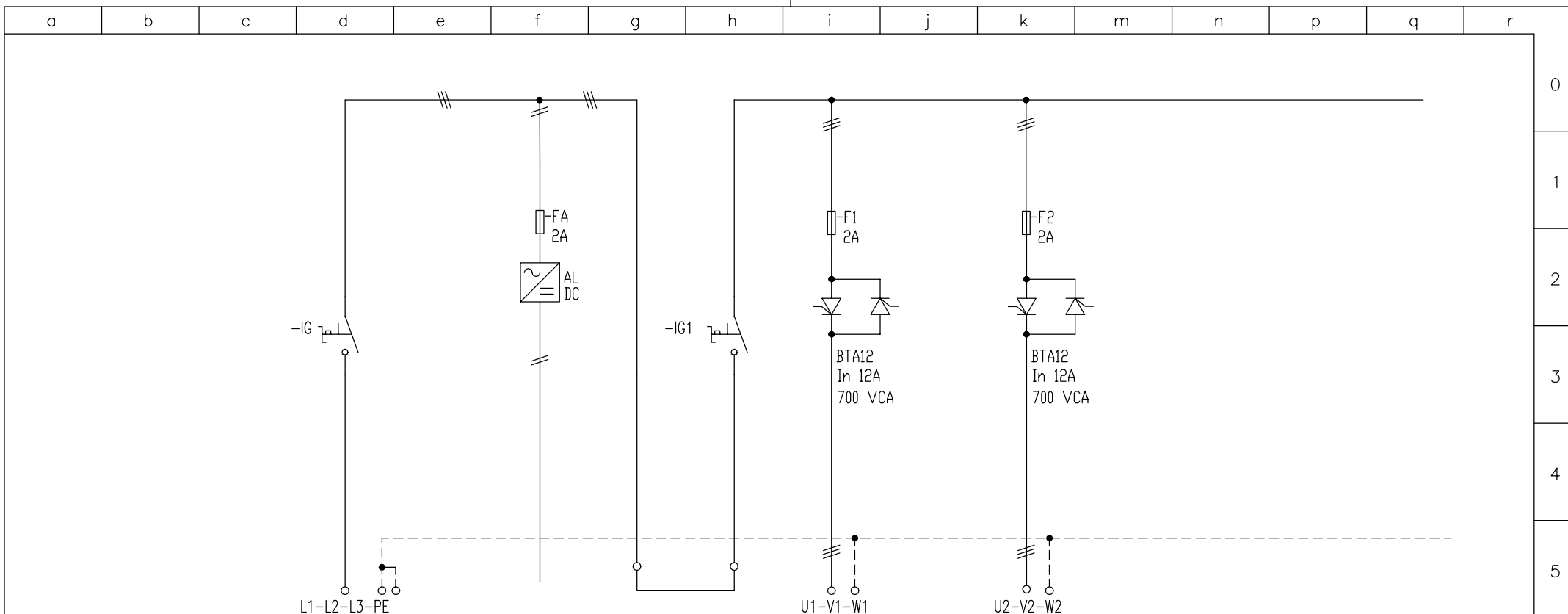
CLIENT

			DATE	14.09.2001	DWG N°	46414101
			SCALE	/		
			DRAWN	An.T.	PROJECT N°	
0	ISSUED	14.09.01	CHECKED	ALT.		
REV.	MODIFY	DATE	APPROVED	A.M.	SHEET N°	3 OF 10

a b c d e f g h i j k m n p q r

0
1
2
3
4
5
6
7
8
9

POWER CIRCUIT		AUXILIARY CIRCUIT	
MIN. SECTION 2,5mmq		MIN. SECTION 1,5mmq	
CONDUCTOR		CONDUCTOR	
PHASES	BLACK	24V - C.A.	RED
NEUTRAL	LIGHT BLUE	110V - A.C	RED
GROUND	YELLOW-GREEN	220V - A.C	BLACK
		24V - D.C	BLUE
WIRE COLOUR TABLE			



USE	CIRCUIT		n?		MAIN SUPPLY		RIGHT/LEFT MONITOR M01.1		UP/DOWN MONITOR M01.2	
	DESCRIPTION		Kw	A	1	2	0,45	0,9	0,45	0,9
ELECTRICAL EQUIPMENT	RATED SERVICE POWER AND CURRENT		Kw	A						
			Kw	A	1	2	0,45	0,9	0,45	0,9
	SWITCH	TYPE			P1-25 /Z		
		RATED CURRENT - N. POLES	A	n?	25	3				
		BREAKING CAPACITY	V	KA	400					
		SETTING CURRENT MAG. ELEMENT	A							
	SETTING CURRENT THE. ELEMENT	A								
	SETTING CURRENT Id	A								
	CON-FACTOR	TYPE					DILER40/G(24VDC)		DILER40/G(24VDC)	
		RATED CURRENT	A							
UTILIZATION CATEGORY										
THERMAL RELAY	TYPE					AC-3		AC-3		
	SETTING RANGE	A								
	SETTING CURRENT	A								
FUSEHOLDER - TYPE & CURRENT	A									
FUSES - TYPE & SETTING CURRENT	A									
AMMETER										
VOLTMETER										
LINE	CABLE	TYPE								
		SECTION	mmq				(4G2,5)	(4G2,5)		
		LANGE	mt							
		RATED CURRENT(Iz)	A							

CACCIALANZA & C. s.p.a
 ANTINCENDIO SICUREZZA ANTINQUINAMENTO
 SEGRATE (MILAND) - ITALY

TITLE
MONITOR 2 MOTIONS
 TYPE A2-A4-A6-A8/EL

CLIENT

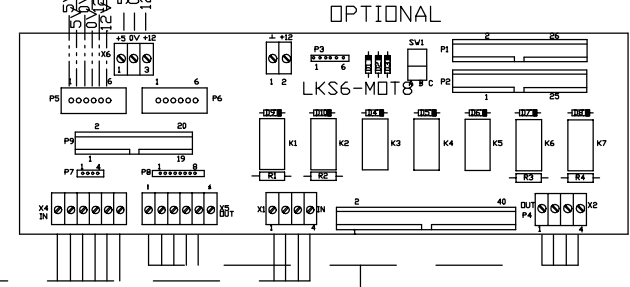
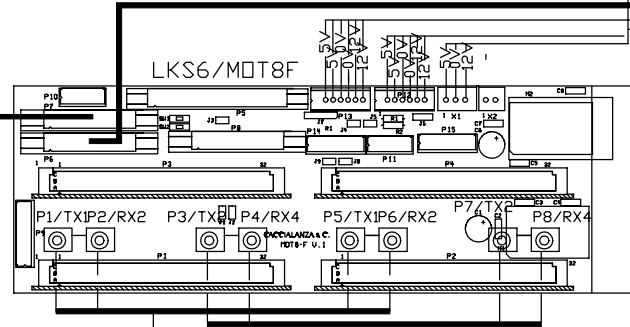
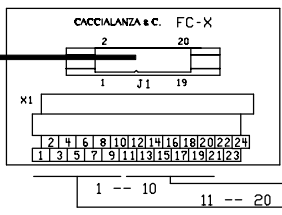
DATE	14.09.2001	DWG N°	46414101
SCALE	/	PROJECT N°	
DRAWN	An.T.		
0 ISSUED	14.09.01	CHECKED	AL.T.
REV.	MODIFY	DATE	APPROVED A.M.
		SHEET N°	5 OF 10

a b c d e f g h i j k m n p q r

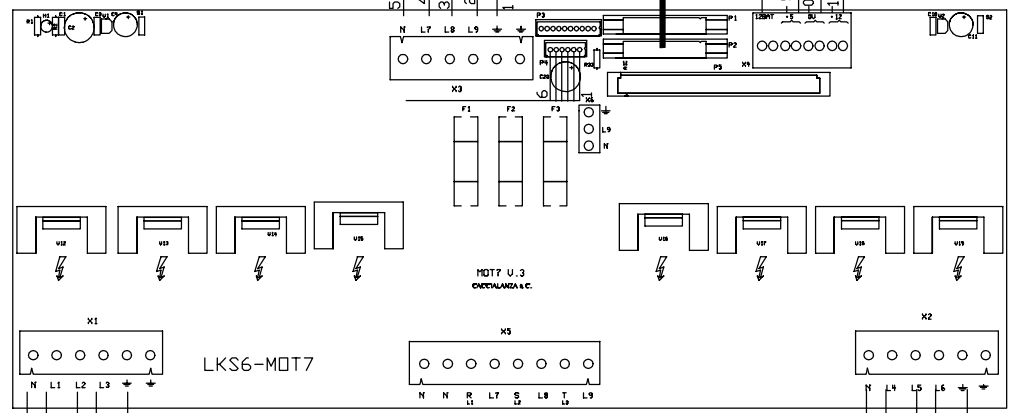
TO UZM-1 PANEL

UZM-2 PANEL

CAVO TIPO



12V BATT.



CABLE "IN" LOOP

CABLE "OUT" LOOP

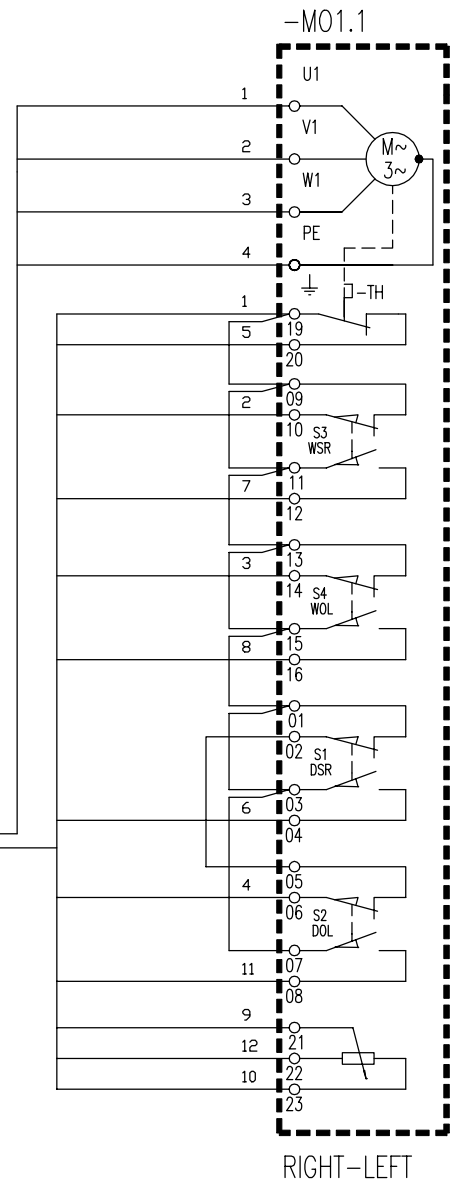
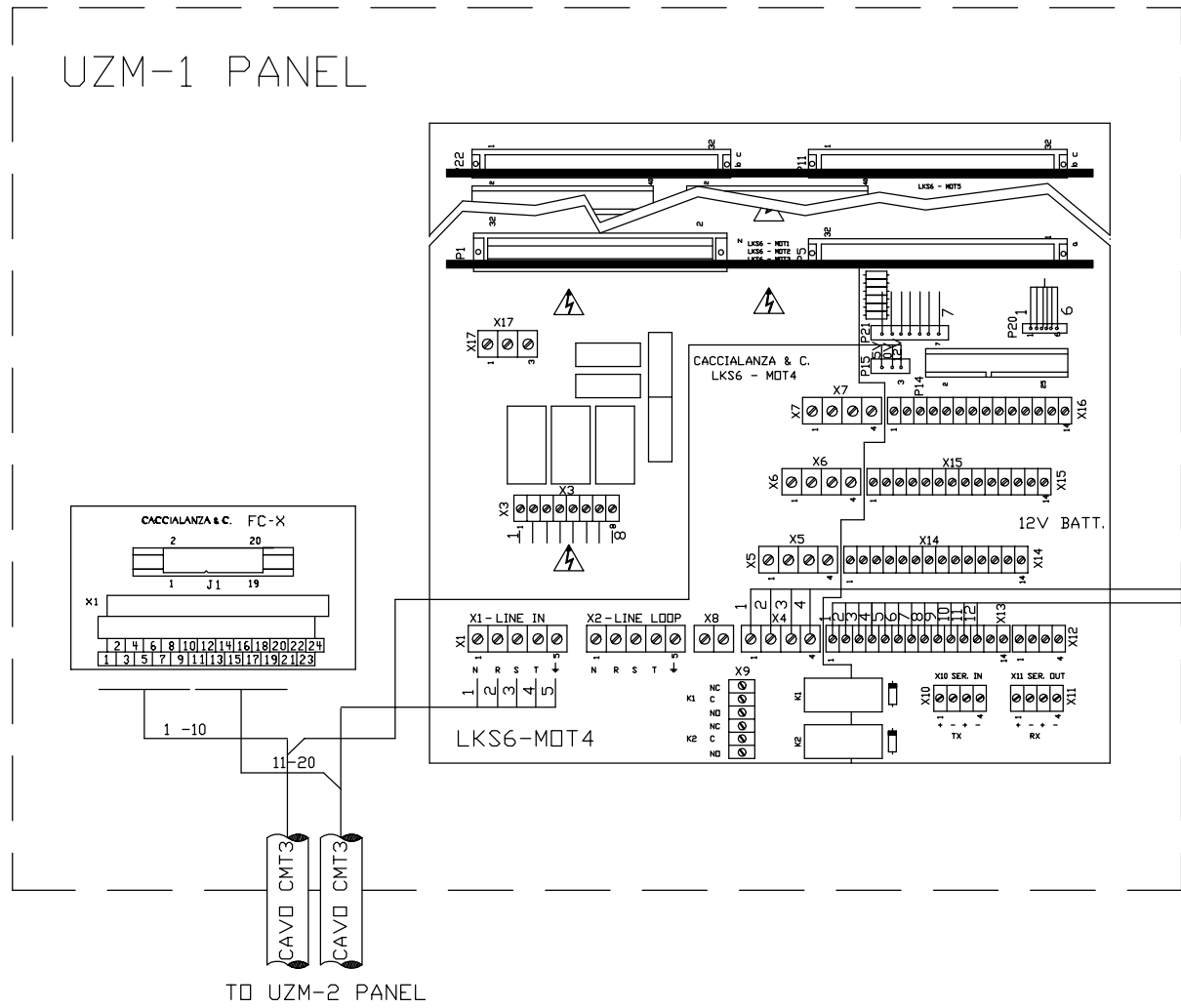
CACCIALANZA & C. S.p.A.
ANTINCENDIO SICUREZZA ANTINQUINAMENTO
SEGRATE (MILANO) - ITALY

TITLE
MONITOR 2 MOTIONS
TYPE A2-A4-A6-A8/EL

CLIENT

DATE	14.09.2001	DWG N°	46414101
SCALE	/	PROJECT N°	
DRAWN	An.T.	SHEET N.°	6 OF 10
CHECKED	AL.T.		
APPROVED	A.M.		
ISSUED	14.09.01		
REV.	MODIFY	DATE	APPROVED

UZM-1 PANEL



RIGHT-LEFT

CACCIALANZA & C. S.p.A.
ANTINCENDIO SICUREZZA ANTINQUINAMENTO
SEGRATE (MILANO) - ITALY

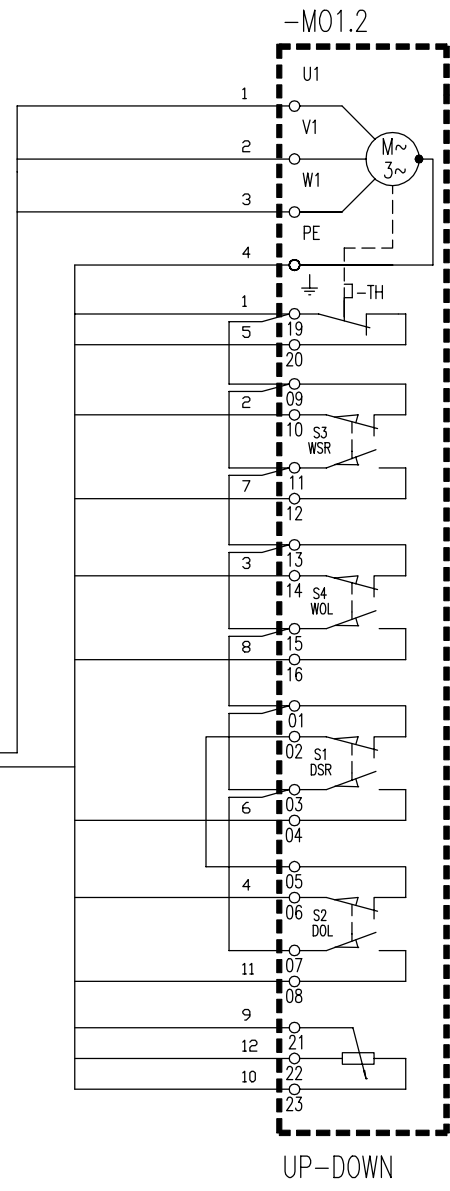
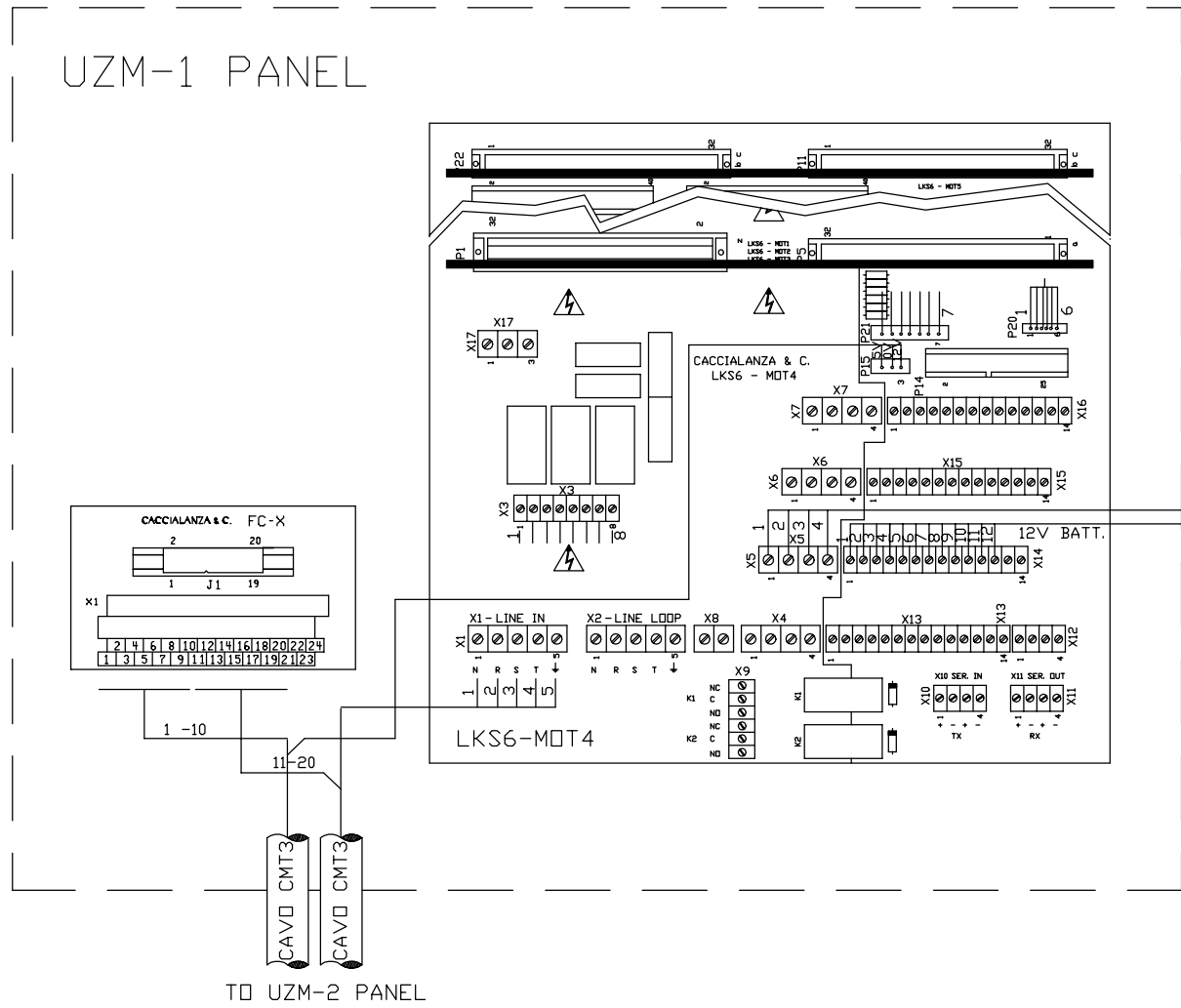
TITLE
MONITOR 2 MOTIONS
TYPE A2-A4-A6-A8/EL

CLIENT

DATE	14.09.2001
SCALE	/
DRAWN	An.T.
CHECKED	AL.T.
APPROVED	A.M.
REV.	MODIFY
DATE	14.09.01

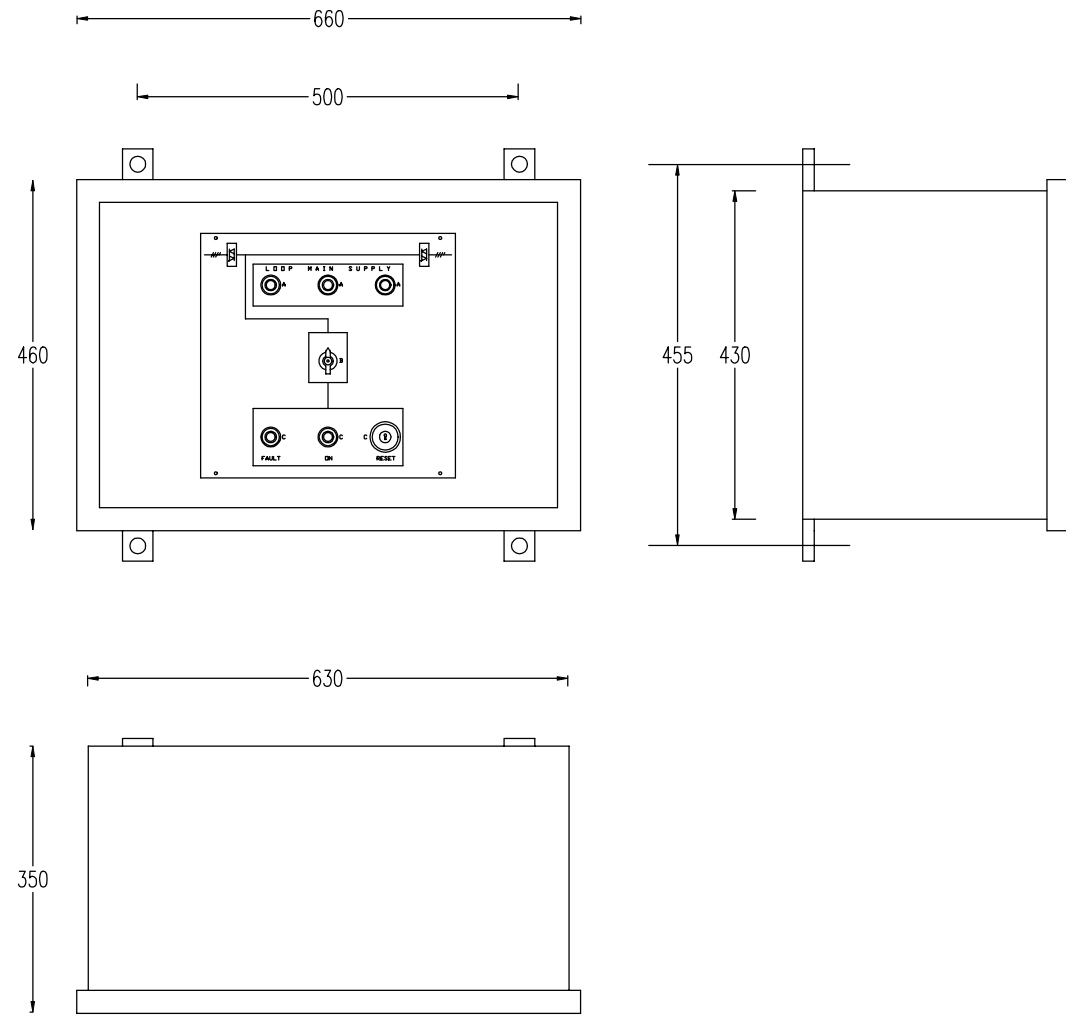
DWG N° 46414101
PROJECT N°
SHEET N. 7 OF 10

UZM-1 PANEL



DATE	14.09.2001
SCALE	/
DRAWN	An.T.
CHECKED	AL.T.
DATE	14.09.01
APPROVED	A.M.

a b c d e f g h i j k m n p q r



DENOMINAZIONE CUSTODIA : EJB61 = LKS6-2

CARATTERISTICHE ELETTRICHE

TENSIONE NOMINALE : 380V/220V
: 24V c.c.

CORRENTE NOMINALE : 16 - 25A

FREQUENZA : 50/60 Hz

MAX CAPACITA' CONDENSATORI : 470 MUF

TARGHETTA METALLICA

CACCIALANZA & C. S.p.a.

TIPO : EJB-61/LKS6-2

EEEx-d II B T3 IP55

CESI - Ex , 93 C 090

LEGENDA

A - SEGNALATORI LUMINOSI

B - INTERRUTTORE GENERALE

C - PULSANTI

D - DISPOSITIVO DI SCARICO E RESPIRAZIONE

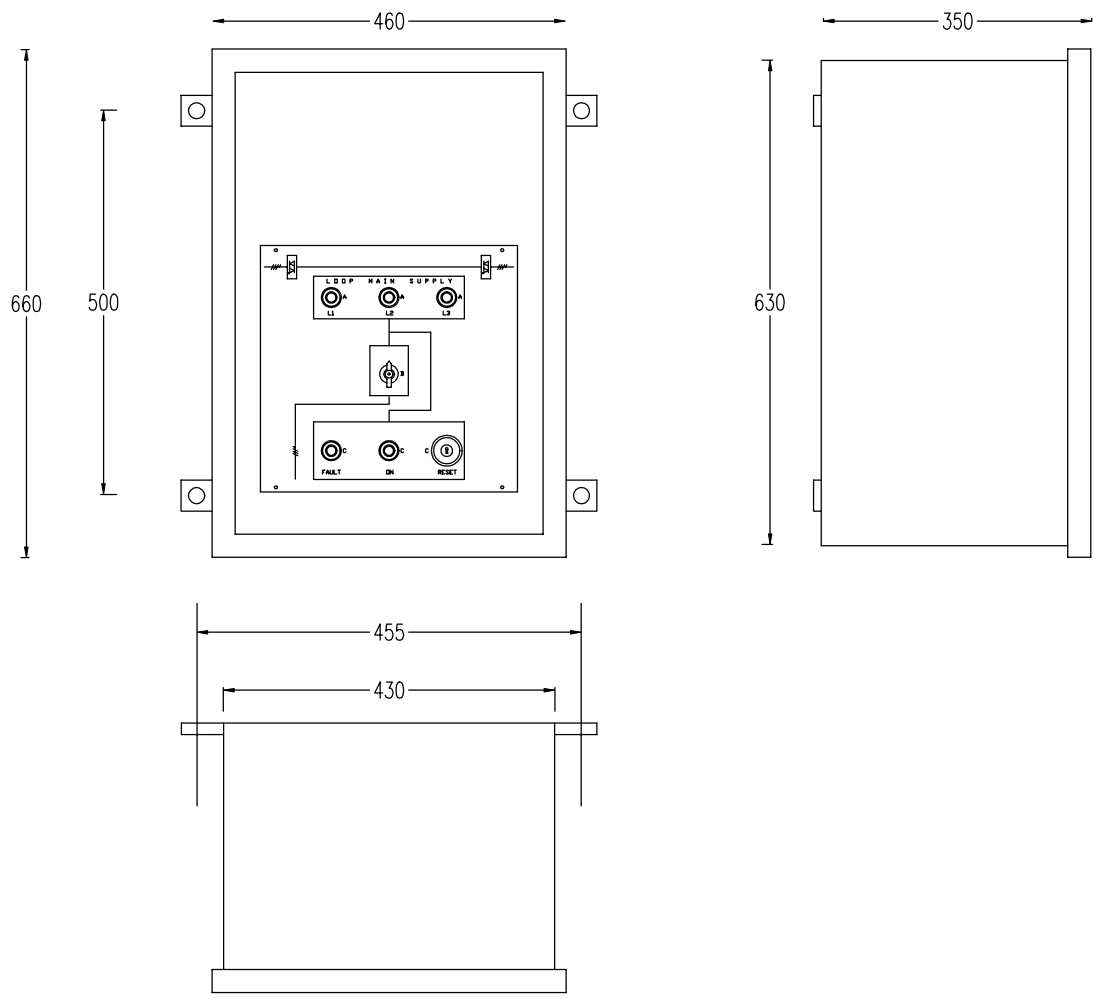
E - DISPOSITIVO DI SCARICO E RESPIRAZIONE

F - PRESSACAVI (4xPG29)

NOTA: ESECUZIONE ANTIDEFLAGRANTE EEx-d II BT3

UZM-2 PANEL

CACCIALANZA & C. S.p.A. ANTINCENDIO SICUREZZA ANTINQUINAMENTO SEGRATE (MILANO) - ITALY	TITLE		CLIENT		DATE	14.09.2001	DWG N°	46414101
	MONITOR 2 MOTIONS				SCALE	/	PROJECT N°	
	TYPE A2-A4-A6-A8/EL				DRAWN	An.T.		
	0	ISSUED	14.09.01	CHECKED	ALT.			
	REV.	MODIFY	DATE	APPROVED	A.M.			SHEET N° 9 OF 10



DENOMINAZIONE CUSTODIA : EJB61 = LKS6-1

CARATTERISTICHE ELETTRICHE

TENSIONE NOMINALE : 380V/220V
: 24V c.c.

CORRENTE NOMINALE : 16 - 25A
FREQUENZA : 50/60 Hz
MAX CAPACITA' CONDENSATORI : 470 MUF

TARGHETTA METALLICA

CACCIALANZA & C. S.p.a.
TIPO : EJB-61/LKS6-1
EEx-d II B T3 IP55
CESI - Ex . 93 C 090

LEGENDA

- A - SEGALATORI LUMINOSI
- B - INTERRUTTORE GENERALE
- C - PULSANTI
- D - DISPOSITIVO DI SCARICO E RESPIRAZIONE
- E - DISPOSITIVO DI SCARICO E RESPIRAZIONE
- F - PRESSACAVI (7xPG29+2xPG21)

NOTA: ESECUZIONE ANTIDEFLAGRANTE EEx-d II BT3

UZM-1 PANEL

<p>CACCIALANZA & C. S.p.A. ANTINCENDIO SICUREZZA ANTINQUINAMENTO SEGRATE (MILANO) - ITALY</p>	<p>TITLE MONITOR 2 MOTIONS TYPE A2-A4-A6-A8/EL</p>	<p>CLIENT</p>	DATE 14.09.2001	DWG N° 46414101
			SCALE /	PROJECT N°
			DRAWN An.T.	
			CHECKED AL.T.	
			REV. MODIFY DATE APPROVED A.M.	SHEET N° 10 OF 10