


0	12.02.02	ISSUED		AC	AC				
Rev.	Date	Description	Drawn	Checked	Approved				
<b>CACCIALANZA &amp; C. s.p.A.</b> ANTINCENDIO SICUREZZA ANTINQUINAMENTO SEGRATE (MILANO) - ITALY			Client / Project						
			Title						
			FIELD COMMAND PANEL UZK LKS6 STANDARD EXECUTION						
	Date	Name							
Drawn	12.02.02	CA							
Checked	12.02.02	CA							
Approved	12.02.02	AM							
Code		Sys.	Size	Scale	Dwg nr.	Rev.	Sheet		
			A3		46413701	0	1		
							of	4	
THIS DRAWING IS THE PROPERTY OF CACCIALANZA & C. S.p.A. AND IS NOT TO BE REPRODUCED OR USED TO FURNISH ANY INFORMATION FOR MAKING OF DRAWINGS OR APPARATUS EXCEPT WHERE PROVIDED FOR BY AGREEMENT WITH SAID COMPANY									

SHEET	DESCRIPTION	MODIFY							SHEET	DESCRIPTION	MODIFY											
		A	B	C	D	E	F	G			H	I	A	B	C	D	E		F	G	H	I
		1	COVER	0									29									
2	MODIFY TABLE	0							30													
3	TECHNICAL DATA	0							31											1		
4	UZK LAY-OUT AND FRONT PANEL	0							32													
		0							33													
		0							34											2		
		0							35													
		0							36													
		0							37											3		
		0							38													
		0							39													
		0							40											4		
		0							41													
		0							42													
		0							43											5		
		0							44													
		0							45													
		0							46											6		
		0							47													
		0							48													
		0							49											7		
		0							50													
		0							51													
		0							52													
		0							53											8		
		0							54													
		0							55													
		0							56											9		

<b>CACCIALANZA &amp; C. S.p.A.</b> ANTINCENDIO SICUREZZA ANTINQUINAMENTO SEGRATE (MILANO) - ITALY	TITLE FIELD COMMAND PANEL TYPE A3-A4-A6-A8/EL	CLIENT	DATE 12.02.02	DWG N° 46413701
			SCALE	
			DRAWN CA	
			0 ISSUED 12.02.02	PROJECT N°
REV. MODIFY	DATE	CHECKED CA	APPROVED	SHEET N° 2 OF 4

a b c d e f g h i j k m n p q r

0

1

2

### PANEL BOARD TECHNICAL DATA

RATED SERVICE VOLTAGE:.....400V	TYPE OF SEGREGATION:.....FORM 1	TEMPERATURE:.....40°C
RATED INSULATION VOLTAGE:.....1000V	INSTALLATION:.....OUTDOOR	DEGREE OF PROTECTION:see page 10-11
RATED FREQUENCY:.....50Hz	COMPLIANCE WITH STANDARD:.....CEI 17/13.1	COLOR:.....RED RAL7032
ELECTRICAL SYSTEM:.....3Ph+PE	IN/OUT CABLES:.....BOTTOM	

3

4

5

6

7

8

9

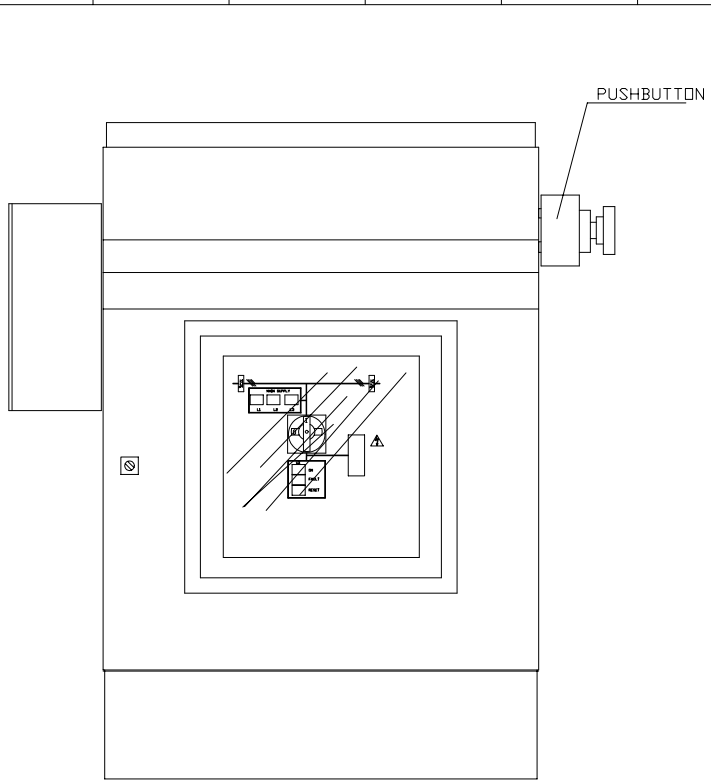
**CACCIALANZA & C. S.p.A.**  
 ANTINCENDIO SICUREZZA ANTINQUINAMENTO  
 SEGRATE (MILANO) - ITALY

TITLE  
 FIELD COMMAND PANEL  
 TYPE A3-A4-A6-A8/EL

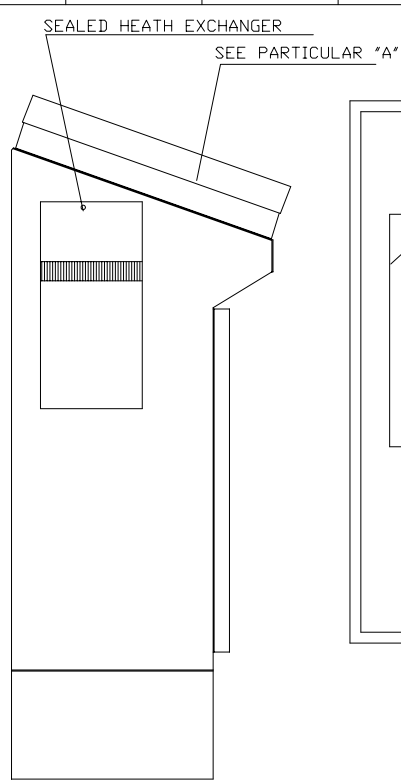
CLIENT

		DATE	12.02.02	DWG N°	46413701
		SCALE			
		DRAWN	CA		
0	ISSUED	12.02.02	CHECKED	CA	PROJECT N°
REV.	MODIFY	DATE	APPROVED		SHEET N° 3 OF 4

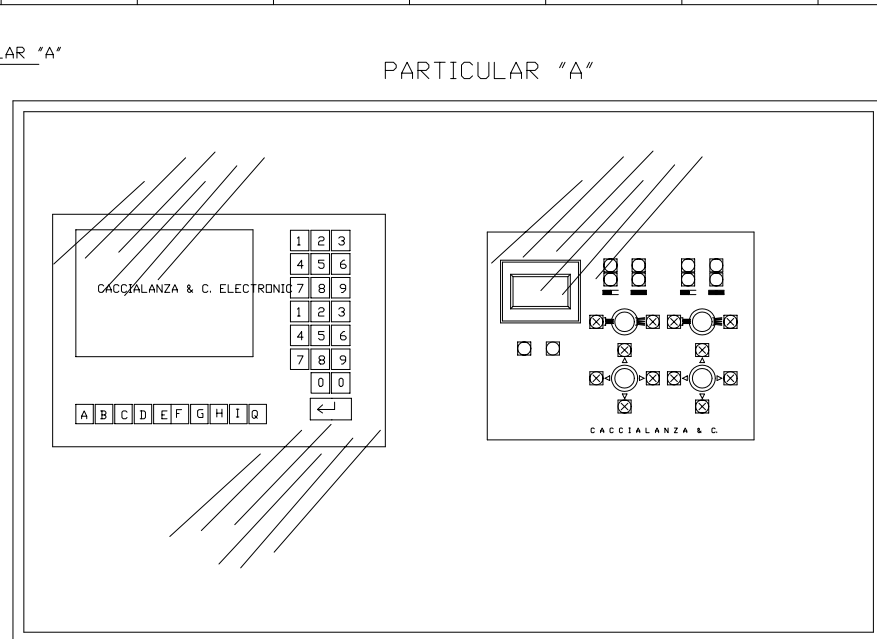
a b c d e f g h i j k m n p q r



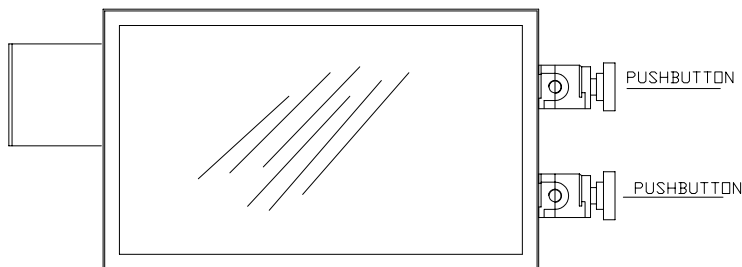
FRONT



SIDE



PARTICULAR "A"



PLANT

TO GET THE ELECTRICAL DAIGRAM OF THIS PANEL  
PLEASE CONTACT OUR COMPANY

**CACCIALANZA & C. S.p.A.**  
ANTINCENDIO SICUREZZA ANTINQUINAMENTO  
SEGRATE (MILANO) - ITALY

TITLE  
FIELD COMMAND PANEL  
TYPE A3-A4-A6-A8/EL

CLIENT

		DATE	12.02.02	DWG N°	46413701
		SCALE			
		DRAWN	CA		
0	ISSUED	12.02.02	CHECKED	CA	PROJECT N°
REV.	MODIFY	DATE	APPROVED		SHEET N. 4 OF 4

0  
1  
2  
3  
4  
5  
6  
7  
8  
9