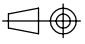


0	14.09.2001	ISSUED	An.T.	Al.T.	A.M.
Rev.	Date	Description	Drawn	Checked	Approved
CACCIALANZA & C. <small>s.p.A.</small> ANTINCENDIO SICUREZZA ANTINQUINAMENTO SEGRATE (MILANO) - ITALY		Client / Project			
		Title			
	Date	Name	PANEL 1 MONITOR (2 MOV.) AND MO VALVE WITH NOZZLE DEFLECTOR LKS6 STANDARD EXECUTION		
Drawn	14.09.2001	An.T.			
Checked	14.09.2001	Al.T.			
Approved	14.09.2001	A.M.			
Code	Sys.	Size	Scale	Dwg nr.	Rev.
		A3	/	46413121	0
					Sheet 1
					of 12
THIS DRAWING IS THE PROPERTY OF CACCIALANZA & C. S.p.A. AND IS NOT TO BE REPRODUCED OR USED TO FURNISH ANY INFORMATION FOR MAKING OF DRAWINGS OR APPARATUS EXCEPT WHERE PROVIDED FOR BY AGREEMENT WITH SAID COMPANY					

SHEET	DESCRIPTION	MODIFY							SHEET	DESCRIPTION	MODIFY									
		A	B	C	D	E	F	G			H	I	A	B	C	D	E	F	G	H
1	COVER	0							29											0
2	MODIFY TABLE	0							30											
3	TECHNICAL DATA	0							31											1
4	WIRE COLOUR TABLE	0							32											
5	POWER WIRING	0							33											
6	UZM-2 PANEL WIRING	0							34											2
7	UZM-1 PANEL -M01.1 WIRING RIGHT/LEFT	0							35											
8	UZM-1 PANEL -M01.2 WIRING UP/DOWN	0							36											
9	UZM-1 PANEL -N1 WIRING FULL/SPRAY	0							37											3
10	UZM-1 PANEL -VA1 WIRING OPEN/CLOSED	0							38											
11	UZM-2 LAY-OUT AND FRONT PANEL	0							39											
12	UZM-1 LAY-OUT AND FRONT PANEL	0							40											4
13									41											
14									42											
15									43											5
16									44											
17									45											
18									46											6
19									47											
20									48											
21									49											7
22									50											
23									51											
24									52											
25									53											8
26									54											
27									55											
28									56											9

CACCIALANZA & C. s.p.a. ANTINCENDIO SICUREZZA ANTINQUINAMENTO SEGRATE (MILANO) - ITALY	TITLE			CLIENT			DATE	14.09.2001	DWG N°	46413121
	MONITOR 4 MOTIONS						SCALE	/	PROJECT N°	
	TYPE A2-A4-A6-A8/EL						DRAWN	An.T.		
							0	ISSUED	14.09.01	CHECKED
						REV.	MODIFY	DATE	APPROVED	A.M.
										SHEET N° 2 OF 12

a b c d e f g h i j k m n p q r

0
1
2
3
4
5
6
7
8
9

PANEL BOARD TECHNICAL DATA		
RATED SERVICE VOLTAGE:.....400V	TYPE OF SEGREGATION:.....FORM 1	TEMPERATURE:.....40°C
RATED INSULATION VOLTAGE:.....1000V	INSTALLATION:.....OUTDOOR	DEGREE OF PROTECTION:see page 10-11
RATED FREQUENCY:.....50Hz	COMPLIANCE WITH STANDARD:.....CEI 17/13.1	COLOR:.....RED RAL3000
ELECTRICAL SYSTEM:.....3Ph+PE	IN/OUT CABLES:.....BOTTOM	

CACCIALANZA & C. s.p.a
 ANTINCENDIO SICUREZZA ANTINQUINAMENTO
 SEGRATE (MILANO) - ITALY

TITLE
MONITOR 4 MOTIONS
 TYPE A2-A4-A6-A8/EL

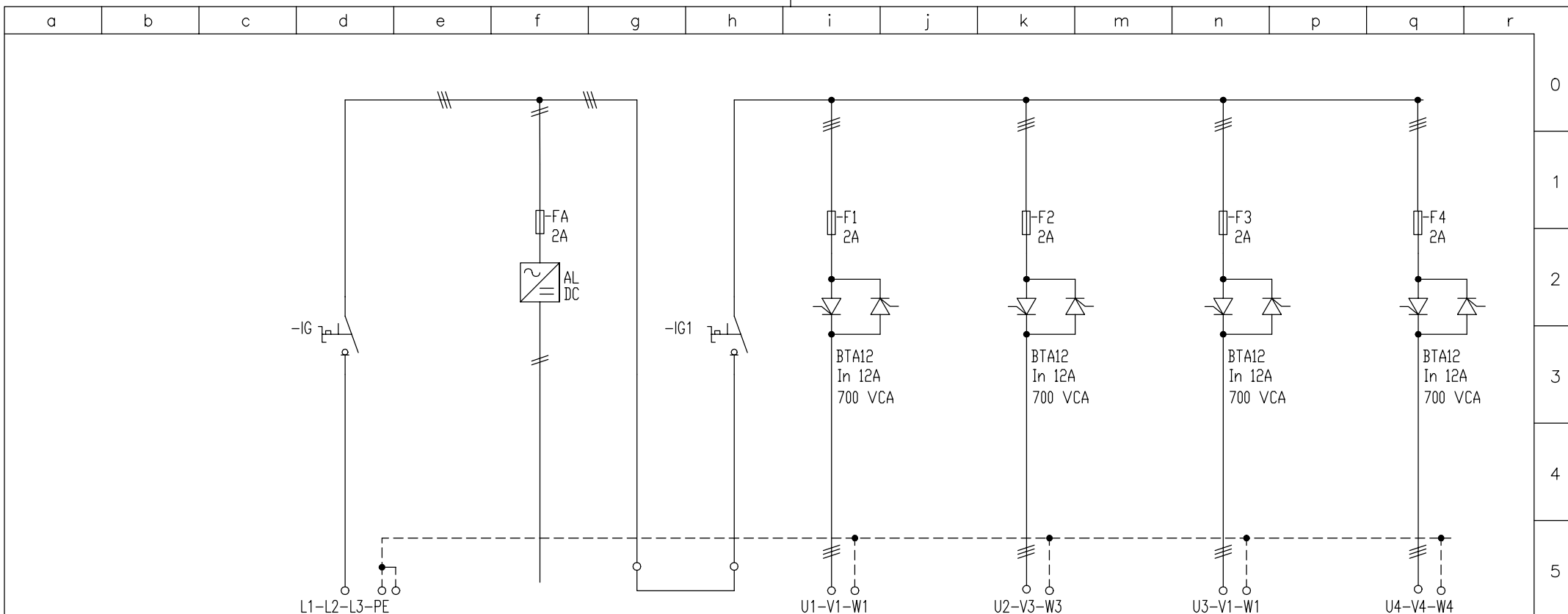
CLIENT

			DATE	14.09.2001	DWG N°	46413121
			SCALE	/		
			DRAWN	An.T.	PROJECT N°	
0	ISSUED	14.09.01	CHECKED	ALT.		
REV.	MODIFY	DATE	APPROVED	A.M.	SHEET N°	3 OF 12

a b c d e f g h i j k m n p q r

0
1
2
3
4
5
6
7
8
9

POWER CIRCUIT		AUXILIARY CIRCUIT	
MIN. SECTION 2,5mmq		MIN. SECTION 1,5mmq	
CONDUCTOR		CONDUCTOR	
PHASES	BLACK	24V - C.A.	RED
NEUTRAL	LIGHT BLUE	110V - A.C	RED
GROUND	YELLOW-GREEN	220V - A.C	BLACK
		24V - D.C	BLUE
WIRE COLOUR TABLE			



USE	CIRCUIT		n?		MAIN SUPPLY		RIGHT/LEFT MONITOR M01.1		UP/DOWN MONITOR M01.2		FULL/SPRAY NOZZLE -N1		OPEN/CLOSED VALVE-VA1	
	DESCRIPTION		Kw	A	1	2	0,45	0,9	0,45	0,9	0,45	0,9	0,45	0,9
ELECTRICAL EQUIPMENT	RATED SERVICE POWER AND CURRENT		Kw	A										
			Kw	A										
	SWITCH	TYPE	P1-25 /Z											
		RATED CURRENT - N. POLES	A	n?	25	3								
		BREAKING CAPACITY	V	KA	400									
		SETTING CURRENT MAG. ELEMENT	A											
	SETTING CURRENT THE. ELEMENT	A												
	SETTING CURRENT Id	A												
	CON-FACTOR	TYPE												
		RATED CURRENT	A											
UTILIZATION CATEGORY														
THERMAL RELAY	TYPE													
	SETTING RANGE	A												
	SETTING CURRENT	A												
	FUSEHOLDER - TYPE & CURRENT	A												
	FUSES - TYPE & SETTING CURRENT	A												
	AMMETER													
	VOLTMETER													
LINE	CABLE	TYPE												
		SECTION	mmq											
		LANCE	mt											
		RATED CURRENT(Iz)	A											

CACCIALANZA & C. s.p.a
 ANTINCENDIO SICUREZZA ANTINQUINAMENTO
 SEGRATE (MILAND) - ITALY

TITLE
MONITOR 4 MOTIONS
 TYPE A2-A4-A6-A8/EL

CLIENT

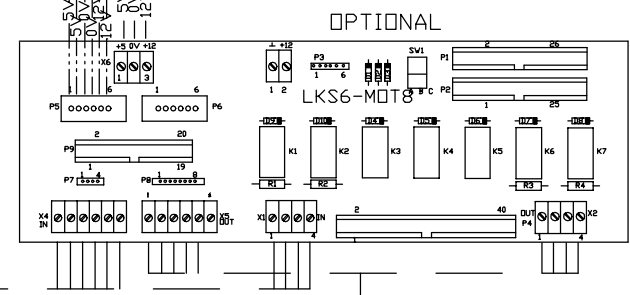
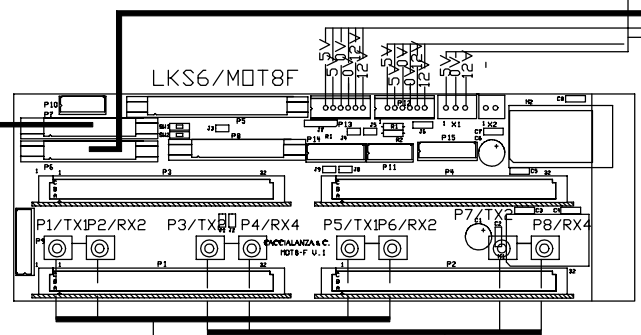
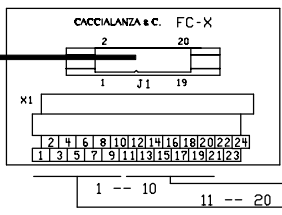
DATE	14.09.2001	DWG N°	46413121
SCALE	/	PROJECT N°	
DRAWN	An.T.		
CHECKED	AL.T.		
0 ISSUED	14.09.01		
REV.	MODIFY	DATE	APPROVED A.M.

a b c d e f g h i j k m n p q r

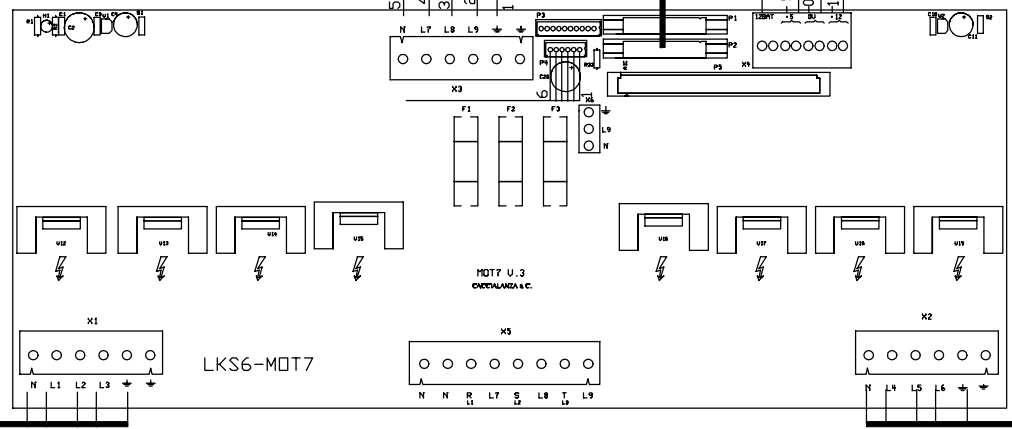
TO UZM-1 PANEL

UZM-2 PANEL

CAVO TIPO



12V BATT.



CABLE "IN" LOOP

CABLE "OUT" LOOP

CACCIALANZA & C. S.p.A
ANTINCENDIO SICUREZZA ANTINQUINAMENTO
SEGRATE (MILANO) - ITALY

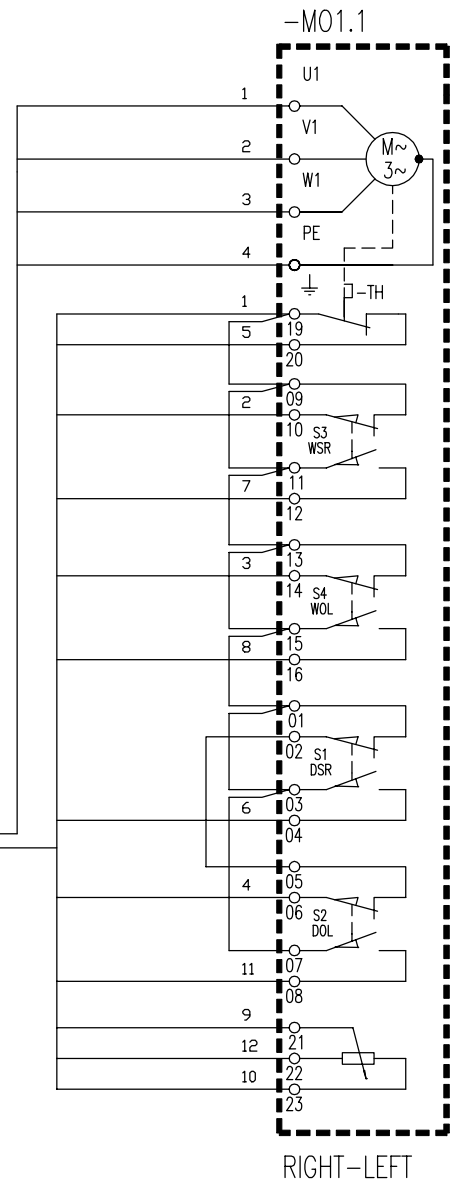
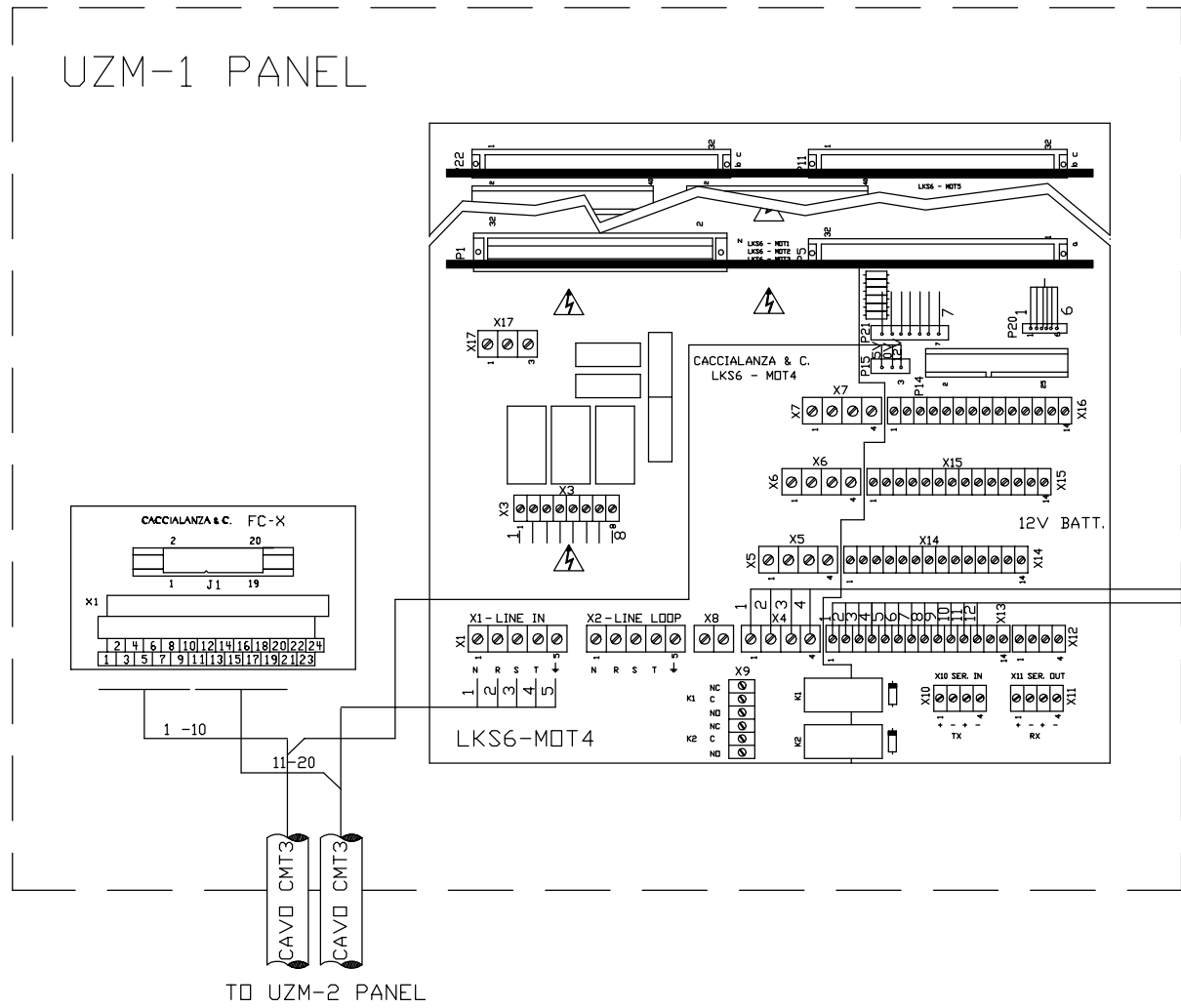
TITLE
MONITOR 4 MOTIONS
TYPE A2-A4-A6-A8/EL

CLIENT

DATE	14.09.2001
SCALE	/
DRAWN	An.T.
CHECKED	AL.T.
APPROVED	A.M.
REV.	MODIFY
DATE	14.09.01

DWG N° 46413121
PROJECT N°
SHEET N. 6 OF 12

UZM-1 PANEL



RIGHT-LEFT

CACCIALANZA & C. S.p.A.
ANTINCENDIO SICUREZZA ANTINQUINAMENTO
SEGRATE (MILANO) - ITALY

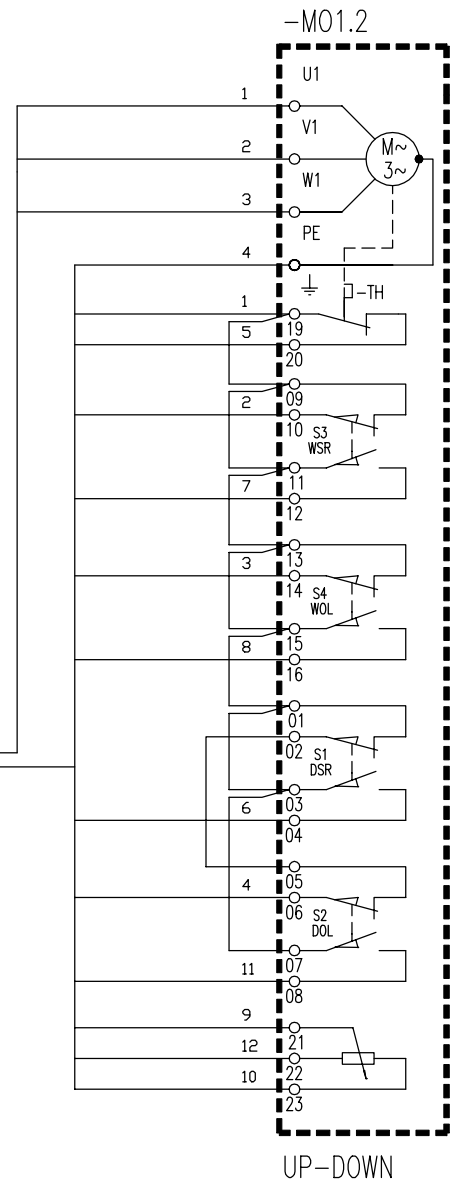
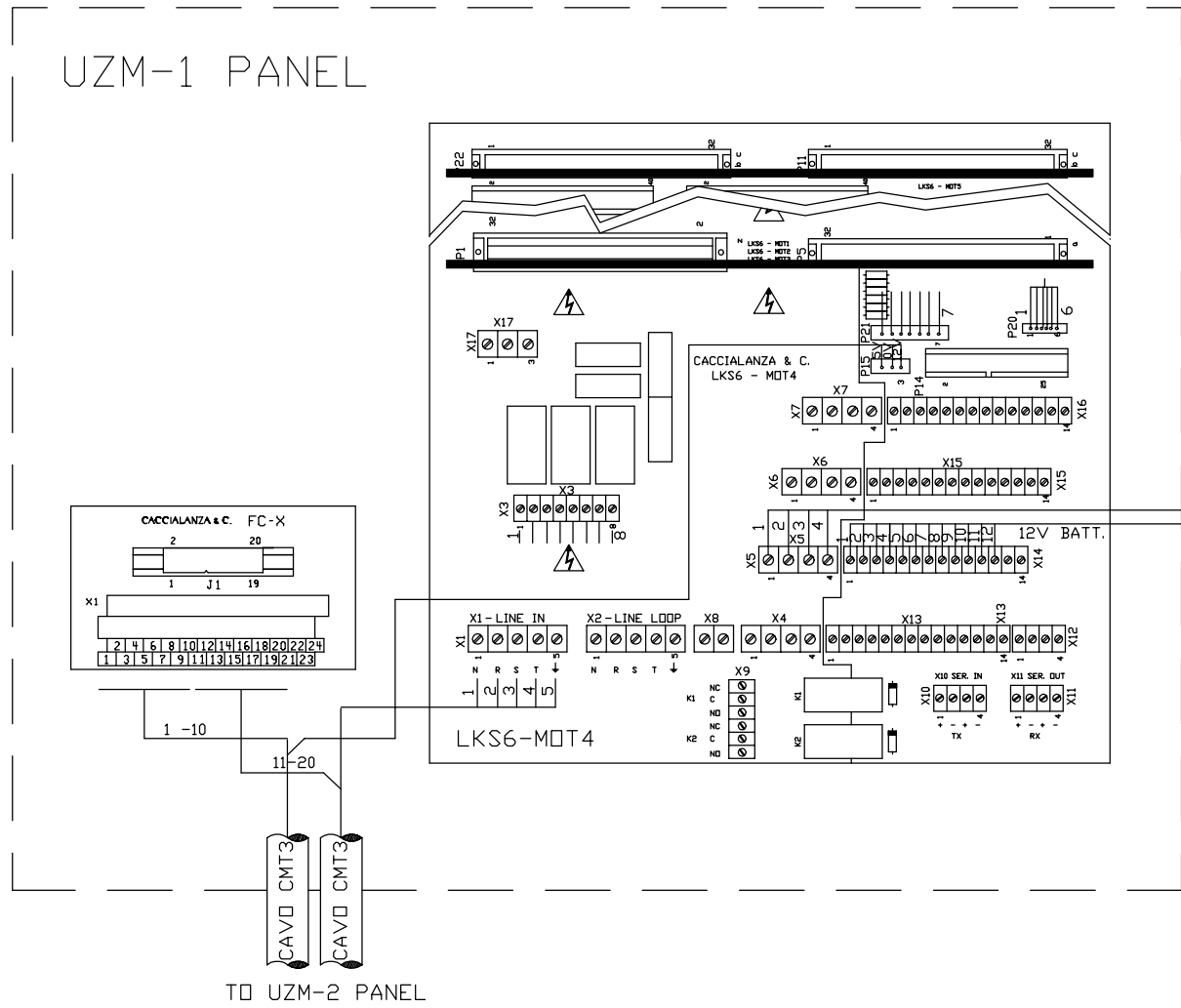
TITLE
MONITOR 4 MOTIONS
TYPE A2-A4-A6-A8/EL

CLIENT

DATE	14.09.2001
SCALE	/
DRAWN	An.T.
CHECKED	AL.T.
APPROVED	A.M.
REV.	MODIFY
DATE	14.09.01

DWG N° 46413121
PROJECT N°
SHEET N. 7 OF 12

UZM-1 PANEL

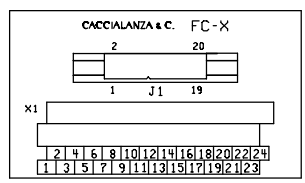
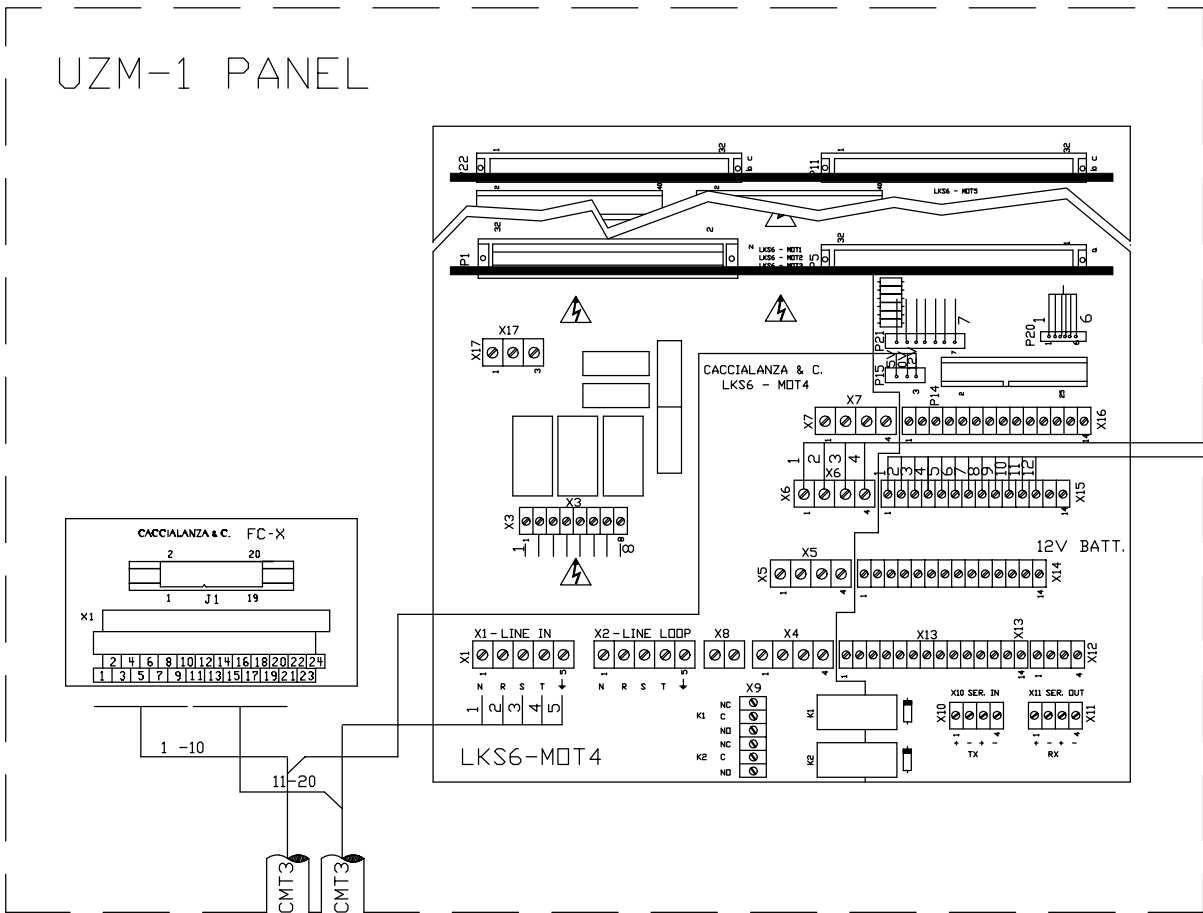


DATE	14.09.2001
SCALE	/
DRAWN	An.T.
CHECKED	AL.T.
APPROVED	A.M.

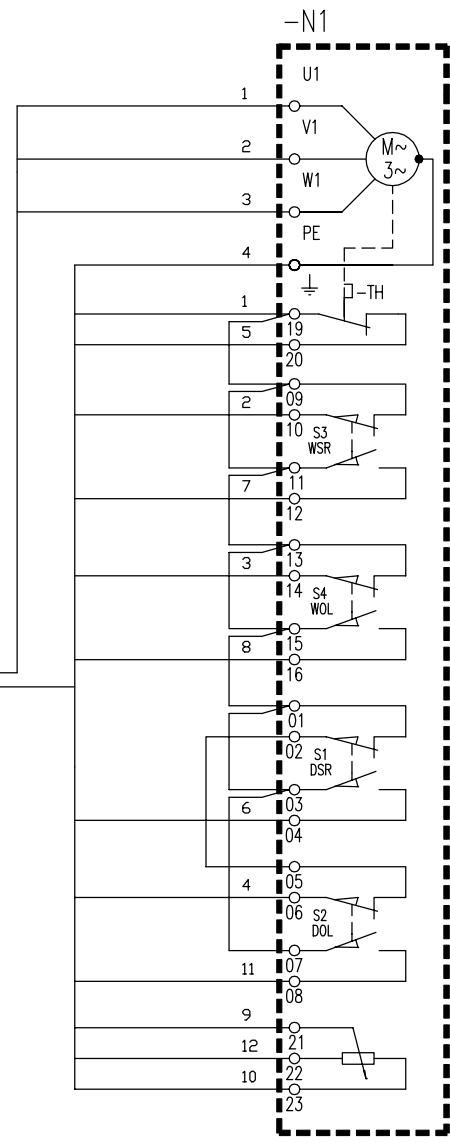
a b c d e f g h i j k m n p q r

0
1
2
3
4
5
6
7
8
9

UZM-1 PANEL



CAVO CMT3
CAVO CMT3
TO UZM-2 PANEL

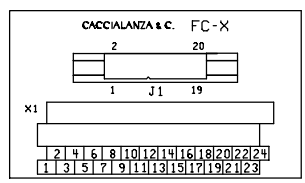
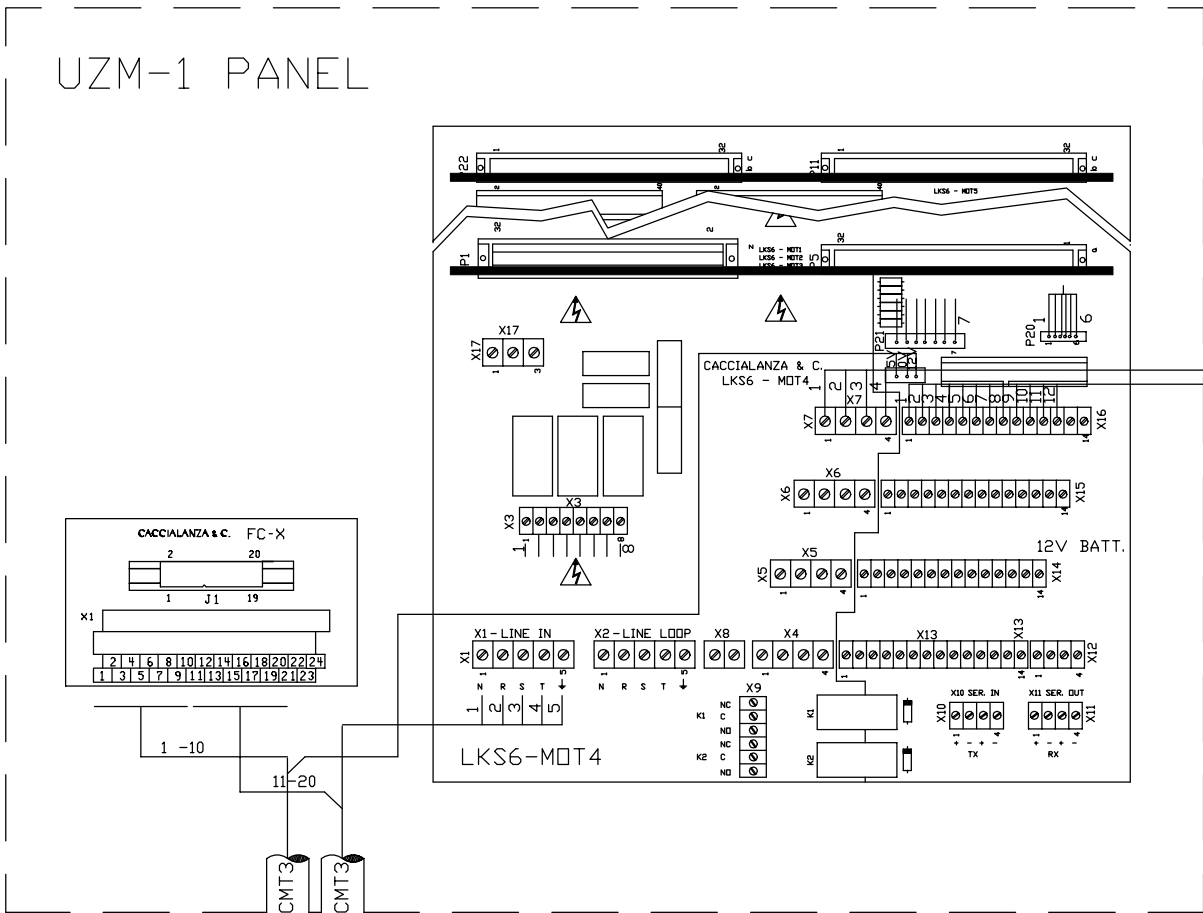


CACCIALANZA & C. s.p.a ANTINCENDIO SICUREZZA ANTINQUINAMENTO SEGRATE (MILANO) - ITALY	TITLE MONITOR 4 MOTIONS TYPE A2-A4-A6-A8/EL	CLIENT	DATE	14.09.2001	DWG N° 46413121 PROJECT N° SHEET N.° 9 OF 12
			SCALE	/	
			DRAWN	An.T.	
			CHECKED	AL.T.	
0	ISSUED		14.09.01	CHECKED	
REV.	MODIFY		DATE	APPROVED	A.M.

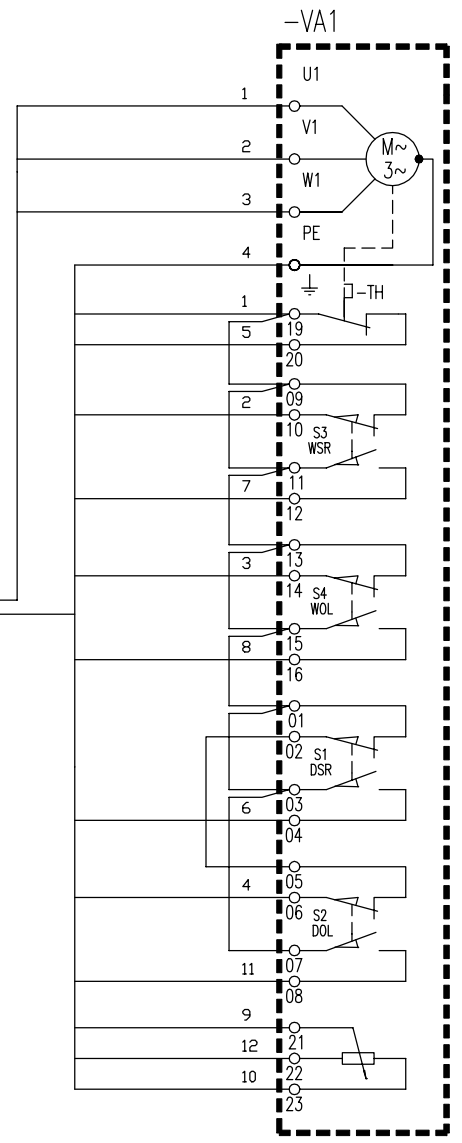
a b c d e f g h i j k m n p q r

0
1
2
3
4
5
6
7
8
9

UZM-1 PANEL



TO UZM-2 PANEL



OPEN-CLOSED

CACCIALANZA & C. S.p.A.
ANTINCENDIO SICUREZZA ANTINQUINAMENTO
SEGRATE (MILANO) - ITALY

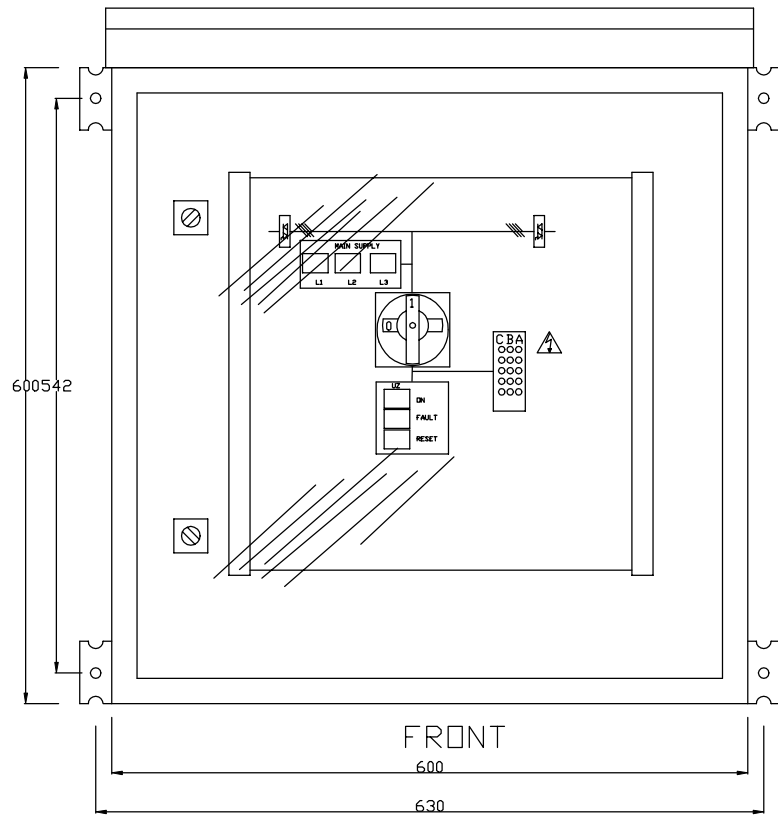
TITLE
MONITOR 4 MOTIONS
TYPE A2-A4-A6-A8/EL

CLIENT

DATE	14.09.2001
SCALE	/
DRAWN	An.T.
CHECKED	AL.T.
REV.	MODIFY
DATE	APPROVED
	A.M.

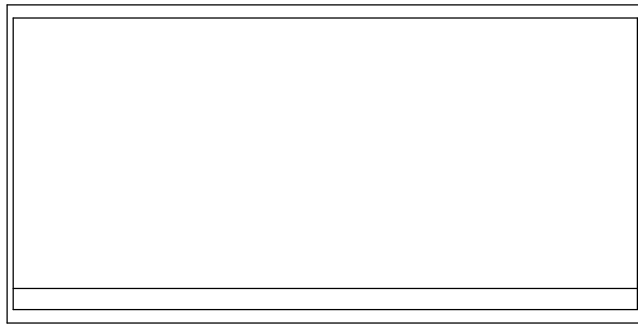
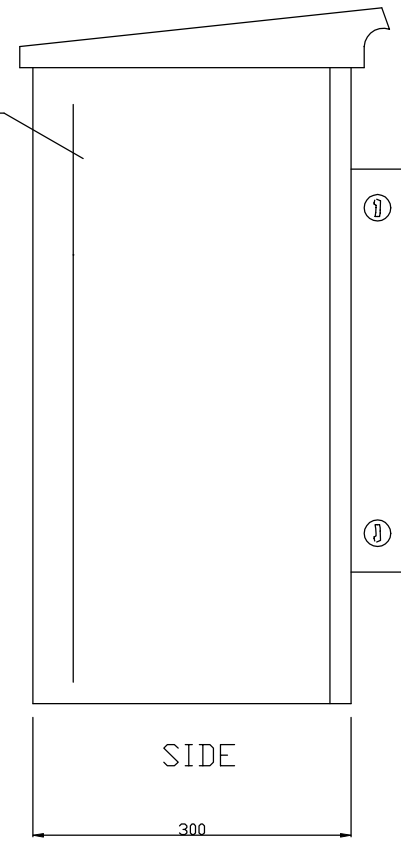
DWG N° 46413121
PROJECT N°
SHEET N°. 10 OF 12

a b c d e f g h i j k m n p q r



PLATE

SEE DWG. EJ071304



0
1
2
3
4
5
6
7
8
9

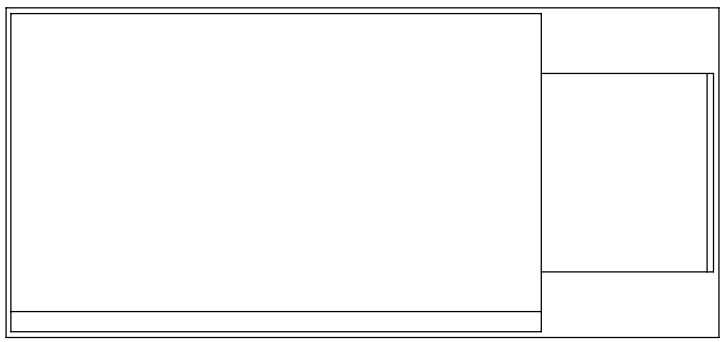
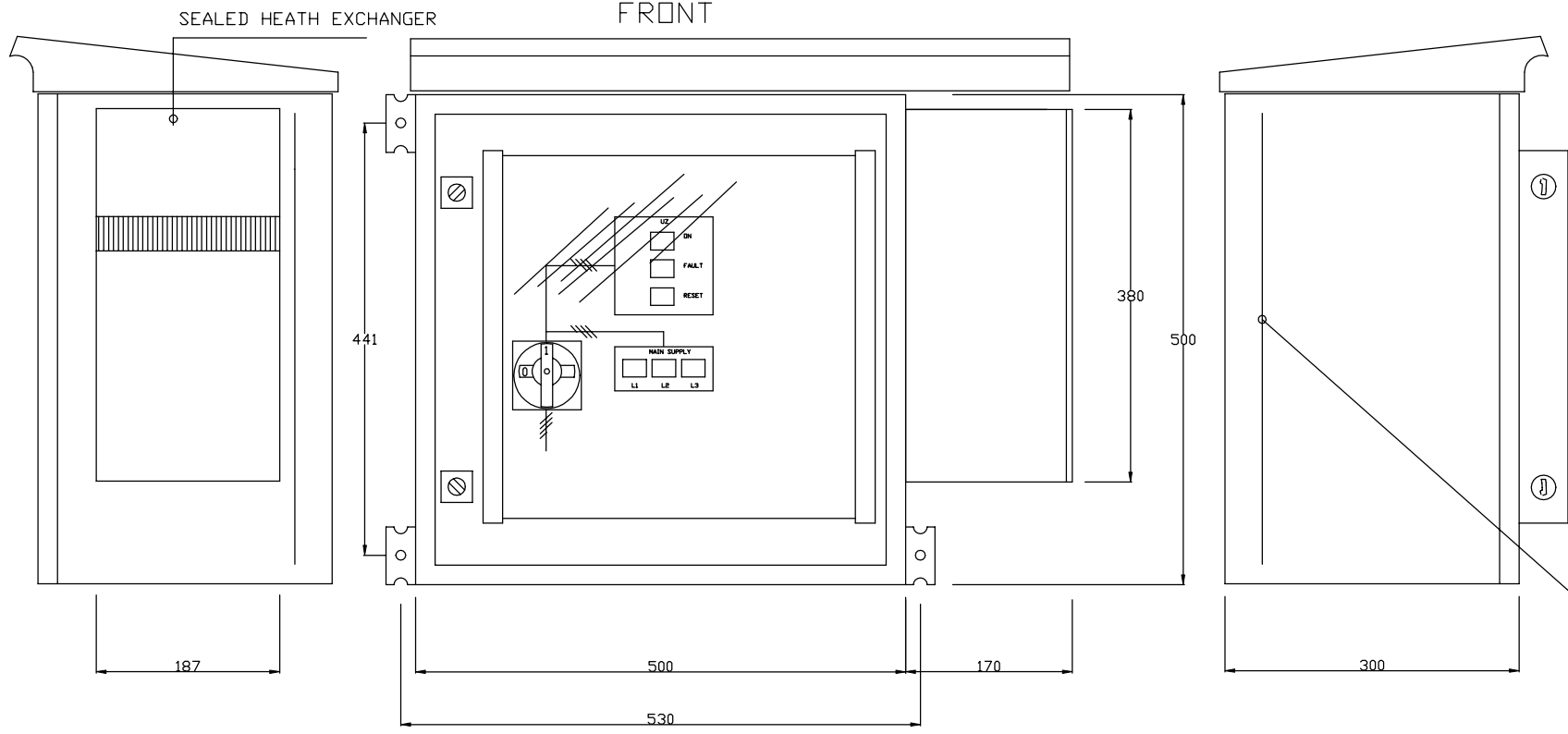
CACCIALANZA & C. s.p.a
ANTINCENDIO SICUREZZA ANTINQUINAMENTO
SEGRATE (MILANO) - ITALY

TITLE
MONITOR 4 MOTIONS
TYPE A2-A4-A6-A8/EL

CLIENT

			DATE	14.09.2001	DWG N°	46413121
			SCALE	/	PROJECT N°	
			DRAWN	An.T.		
			CHECKED	AL.T.		
REV.	MODIFY	DATE	APPROVED	A.M.	SHEET N°	11 OF 12

a b c d e f g h i j k m n p q r



PLANT

PLATE
SEE DWG. EJ071302

0
1
2
3
4
5
6
7
8
9

CACCIALANZA & C. s.p.a.
ANTINCENDIO SICUREZZA ANTINQUINAMENTO
SEGRATE (MILANO) - ITALY

TITLE
MONITOR 4 MOTIONS
TYPE A2-A4-A6-A8/EL

CLIENT

			DATE	14.09.2001	DWG N°	46413121
			SCALE	/	PROJECT N°	
			DRAWN	An.T.		
			CHECKED	AL.T.		
REV.	MODIFY	DATE	APPROVED	A.M.	SHEET N°.	12 OF 12