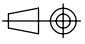


0	14.09.2001	ISSUED					An.T.	Al.T.	A.M.
Rev.	Date	Description					Drawn	Checked	Approved
CACCIALANZA & C. <small>s.p.A.</small> ANTINCENDIO SICUREZZA ANTINQUINAMENTO SEGRATE (MILANO) - ITALY		Client / Project							
		Title							
	Date	Name	PANEL 1 MONITOR (2 MOV.) AND MO VALVE LKS6 STANDARD EXECUTION						
Drawn	14.09.2001	An.T.							
Checked	14.09.2001	Al.T.							
Approved	14.09.2001	A.M.							
Code		Sys.	Size	Scale	Dwg nr.	Rev.	Sheet	1	
			A3	/	46413111	0	of	11	
THIS DRAWING IS THE PROPERTY OF CACCIALANZA & C. S.p.A. AND IS NOT TO BE REPRODUCED OR USED TO FURNISH ANY INFORMATION FOR MAKING OF DRAWINGS OR APPARATUS EXCEPT WHERE PROVIDED FOR BY AGREEMENT WITH SAID COMPANY									

a	b	c	d	e	f	g	h	i	j	k	m	n	p	q	r															
SHEET	DESCRIPTION						MODIFY					SHEET	DESCRIPTION						MODIFY					0						
							A	B	C	D	E								F	G	H	I	A		B	C	D	E	F	G
1	COVER						0						29																	
2	MODIFY TABLE						0						30																	
3	TECHNICAL DATA						0						31																	
4	WIRE COLOUR TABLE						0						32																	
5	POWER WIRING						0						33																	
6	UZM-2 PANEL WIRING						0						34																	
7	UZM-1 PANEL -M01.1 WIRING RIGHT/LEFT						0						35																	
8	UZM-1 PANEL -M01.2 WIRING UP/DOWN						0						36																	
9	UZM-1 PANEL -VA1 WIRING OPEN/CLOSED						0						37																	
10	UZM-2 LAY-OUT AND FRONT PANEL						0						38																	
11	UZM-1 LAY-OUT AND FRONT PANEL						0						39																	
12													40																	
13													41																	
14													42																	
15													43																	
16													44																	
17													45																	
18													46																	
19													47																	
20													48																	
21													49																	
22													50																	
23													51																	
24													52																	
25													53																	
26													54																	
27													55																	
28													56																	

CACCIALANZA & C. s.p.a. ANTINCENDIO SICUREZZA ANTINQUINAMENTO SEGRATE (MILANO) - ITALY	TITLE		CLIENT		DATE	14.09.2001	DWG N°	46413111		
	MONITOR 3 MOTIONS				SCALE	/	PROJECT N°			
	TYPE A2-A4-A6-A8/EL				0	ISSUED	14.09.01	CHECKED	AL.T.	
					REV.	MODIFY	DATE	APPROVED	A.M.	
							SHEET N°	2	OF	11

a b c d e f g h i j k m n p q r

0
1
2
3
4
5
6
7
8
9

PANEL BOARD TECHNICAL DATA

RATED SERVICE VOLTAGE:.....400V	TYPE OF SEGREGATION:.....FORM 1	TEMPERATURE:.....40°C
RATED INSULATION VOLTAGE:.....1000V	INSTALLATION:.....OUTDOOR	DEGREE OF PROTECTION:see page 9-10
RATED FREQUENCY:.....50Hz	COMPLIANCE WITH STANDARD:.....CEI 17/13.1	COLOR:.....RED RAL3000
ELECTRICAL SYSTEM:.....3Ph+PE	IN/OUT CABLES:.....BOTTOM	

CACCIALANZA & C. s.p.a
 ANTINCENDIO SICUREZZA ANTINQUINAMENTO
 SEGRATE (MILANO) - ITALY

TITLE
MONITOR 3 MOTIONS
TYPE A2-A4-A6-A8/EL

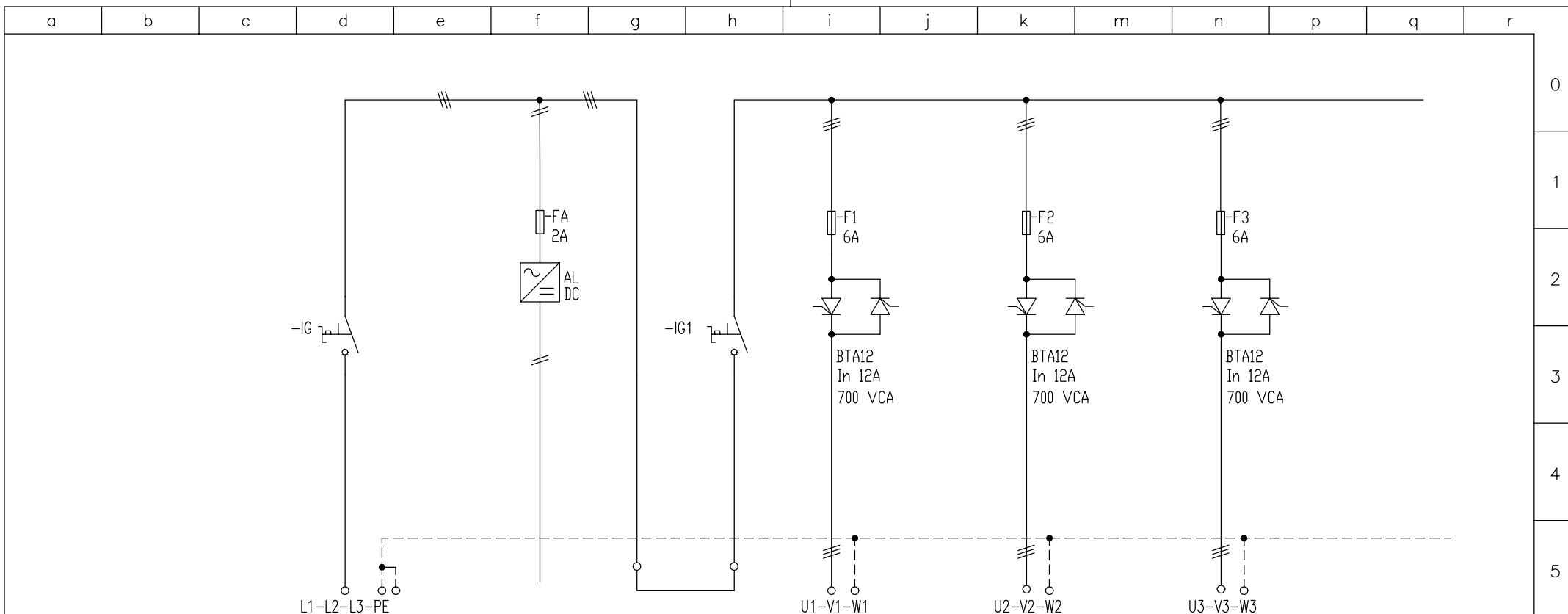
CLIENT

			DATE	14.09.2001	DWG N°	46413111
			SCALE	/		
			DRAWN	An.T.	PROJECT N°	
0	ISSUED	14.09.01	CHECKED	ALT.		
REV.	MODIFY	DATE	APPROVED	A.M.	SHEET N°	3 OF 11

a b c d e f g h i j k m n p q r

0
1
2
3
4
5
6
7
8
9

POWER CIRCUIT		AUXILIARY CIRCUIT	
MIN. SECTION 2,5mmq		MIN. SECTION 1,5mmq	
CONDUCTOR		CONDUCTOR	
PHASES	BLACK	24V - C.A.	RED
NEUTRAL	LIGHT BLUE	110V - A.C	RED
GROUND	YELLOW-GREEN	220V - A.C	BLACK
		24V - D.C	BLUE
WIRE COLOUR TABLE			



USE	CIRCUIT		n?		MAIN SUPPLY		RIGHT/LEFT MONITOR M01.1		UP/DOWN MONITOR M01.2		OPEN/CLOSED VALVE -VA1	
	DESCRIPTION		Kw	A	1	2	0,45	0,9	0,45	0,9	0,45	0,9
ELECTRICAL EQUIPMENT	SWITCH	TYPE			P1-25	Z	
		RATED CURRENT - N. POLES	A	n?	25	3						
		BREAKING CAPACITY	V	KA	400							
		SETTING CURRENT MAG. ELEMENT	A									
		SETTING CURRENT THE. ELEMENT	A									
	CON-FACTOR	TYPE										
		RATED CURRENT	A									
		UTILIZATION CATEGORY					AC-3		AC-3		AC-3	
	THERMAL RELAY	TYPE										
		SETTING RANGE	A									
FUSEHOLDER - TYPE & CURRENT	SETTING CURRENT	A										
	FUSES - TYPE & SETTING CURRENT	A										
LINE	AMMETER											
	VOLTMETER											
CABLE	TYPE											
	SECTION	mmq				(4G2,5)		(4G2,5)		(4G2,5)		
	LANCE	mt										
	RATED CURRENT(Iz)	A										

CACCIALANZA & C. s.p.a
 ANTINCENDIO SICUREZZA ANTINQUINAMENTO
 SEGRATE (MILANO) - ITALY

TITLE
MONITOR 3 MOTIONS
 TYPE A2-A4-A6-A8/EL

CLIENT

DATE	14.09.2001	DWG N°	46413111
SCALE	/	PROJECT N°	
DRAWN	An.T.	CHECKED	AL.T.
0 ISSUED	14.09.01	DATE	APPROVED A.M.
REV.	MODIFY	DATE	APPROVED A.M.

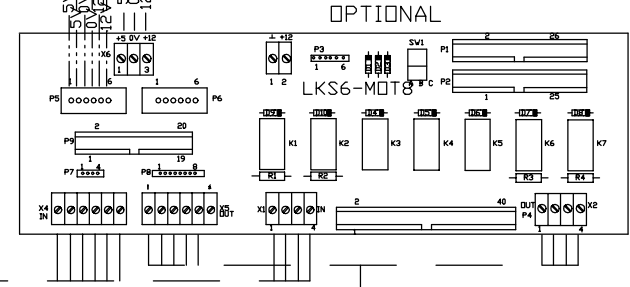
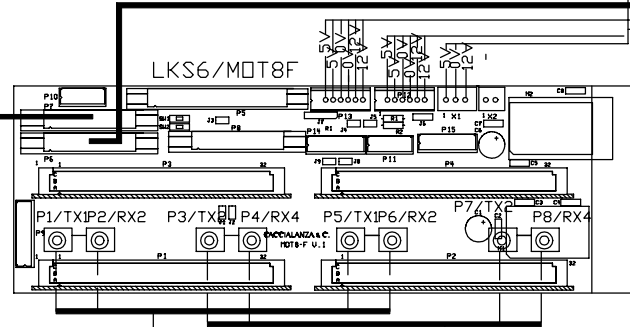
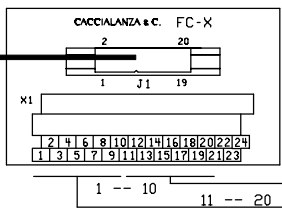
SHEET N° 5 OF 11

a b c d e f g h i j k m n p q r

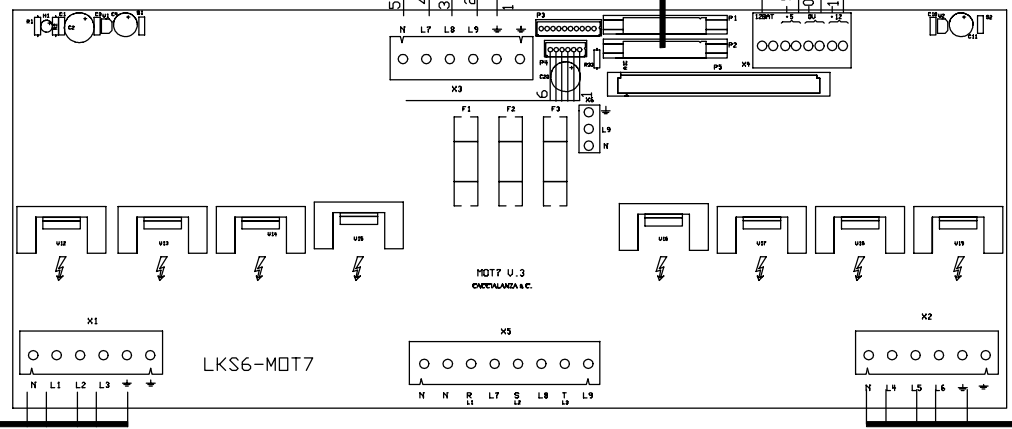
TO UZM-1 PANEL

UZM-2 PANEL

CAVO TIPO



12V BATT.



CABLE "IN" LOOP

CABLE "OUT" LOOP

CACCIALANZA & C. S.p.A
ANTINCENDIO SICUREZZA ANTINQUINAMENTO
SEGRATE (MILAND) - ITALY

TITLE
MONITOR 3 MOTIONS
TYPE A2-A4-A6-A8/EL

CLIENT

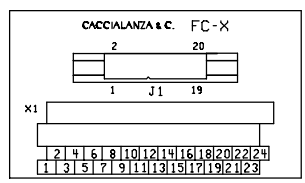
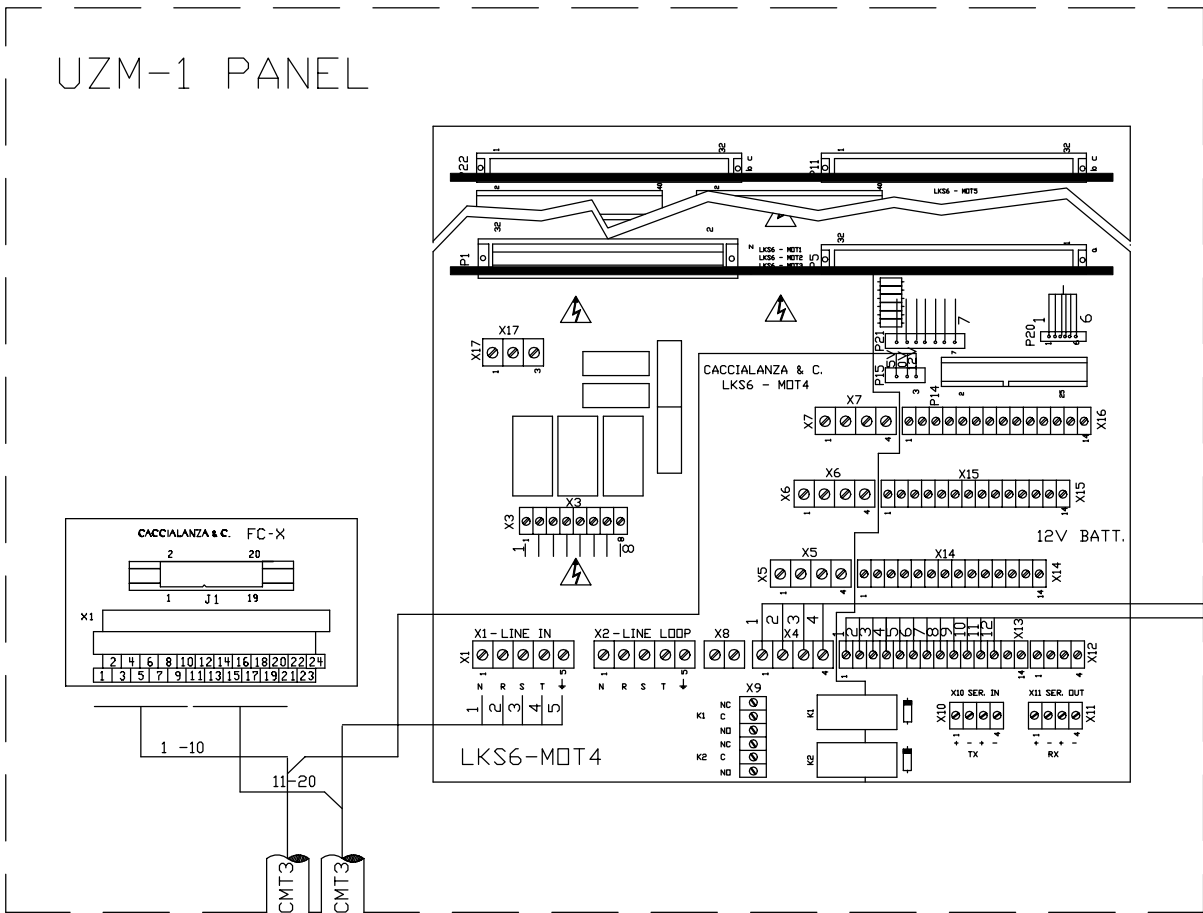
DATE	14.09.2001
SCALE	/
DRAWN	An.T.
CHECKED	AL.T.
APPROVED	A.M.
DATE	14.09.01
REV.	0 ISSUED
MODIFY	

DWG N° 46413111
PROJECT N°
SHEET N. 6 OF 11

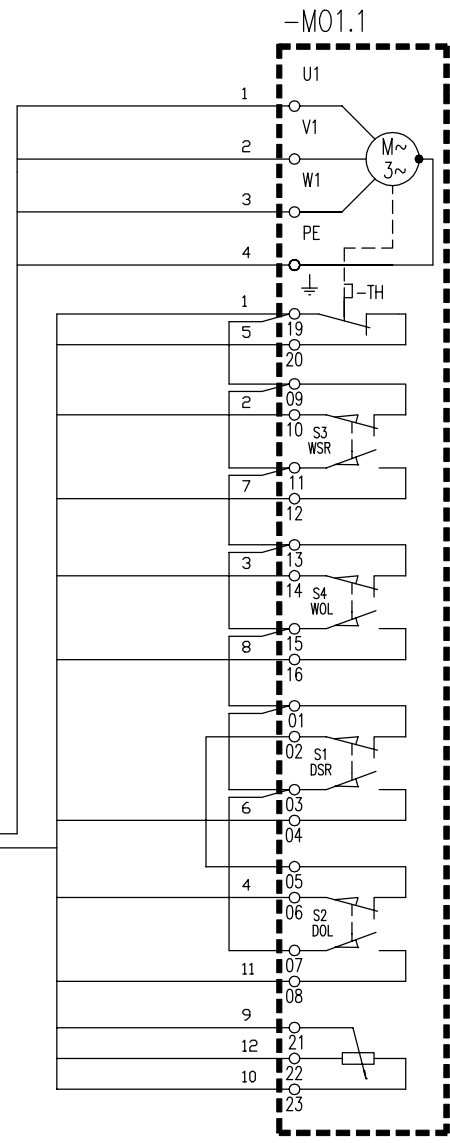
a b c d e f g h i j k m n p q r

0
1
2
3
4
5
6
7
8
9

UZM-1 PANEL

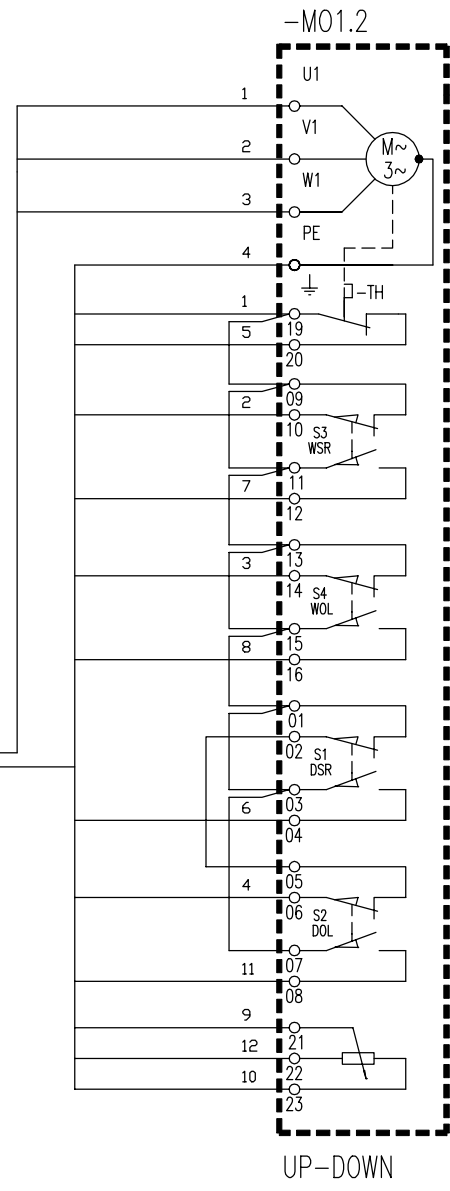
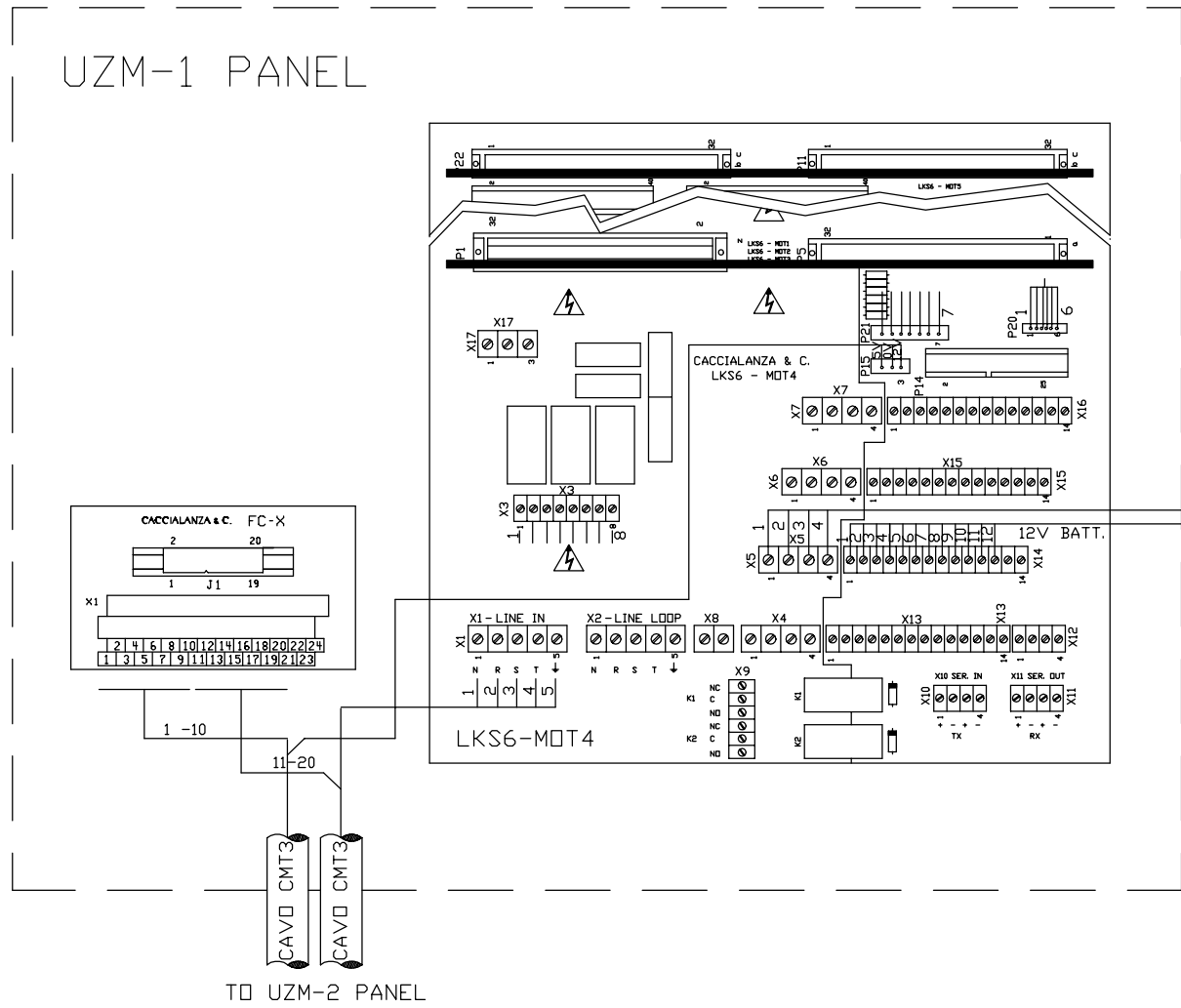


CAVO CMT3
CAVO CMT3
TO UZM-2 PANEL



CACCIALANZA & C. S.p.A. ANTINCENDIO SICUREZZA ANTINQUINAMENTO SEGRATE (MILANO) - ITALY	TITLE MONITOR 3 MOTIONS TYPE A2-A4-A6-A8/EL		CLIENT		DATE 14.09.2001	DWG N° 46413111 PROJECT N° SHEET N. 7 OF 11
					SCALE /	
					DRAWN An.T.	
					CHECKED AL.T.	
				0 ISSUED	14.09.01	
				REV. MODIFY	DATE	APPROVED A.M.

UZM-1 PANEL



-M01.2

UP-DOWN

CACCIALANZA & C. S.p.A.
 ANTINCENDIO SICUREZZA ANTINQUINAMENTO
 SEGRATE (MILANO) - ITALY

TITLE
MONITOR 3 MOTIONS
 TYPE A2-A4-A6-A8/EL

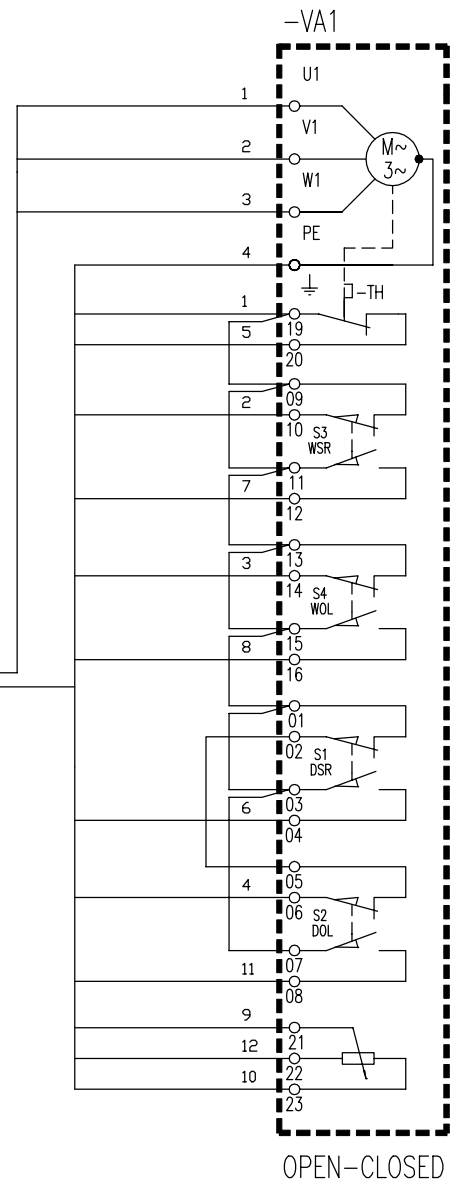
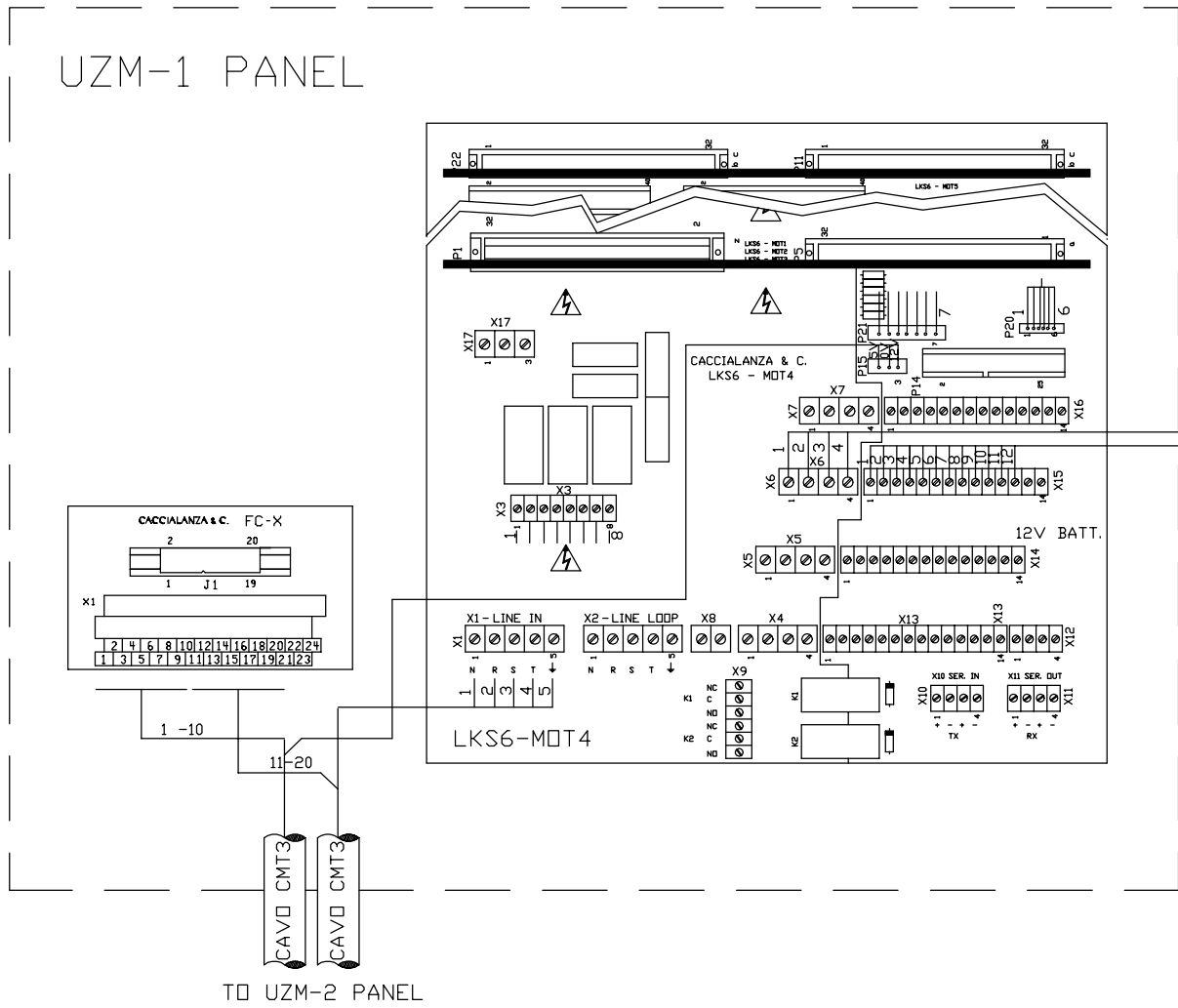
CLIENT

DATE	14.09.2001
SCALE	/
DRAWN	An.T.
CHECKED	AL.T.
DATE	14.09.01
APPROVED	A.M.

DWG N° **46413111**
 PROJECT N°
 SHEET N. 8 OF 11

0
1
2
3
4
5
6
7
8
9

UZM-1 PANEL



OPEN-CLOSED

TO UZM-2 PANEL

DATE	14.09.2001
SCALE	/
DRAWN	An.T.
CHECKED	AL.T.
DATE	14.09.01
APPROVED	A.M.

a b c d e f g h i j k m n p q r

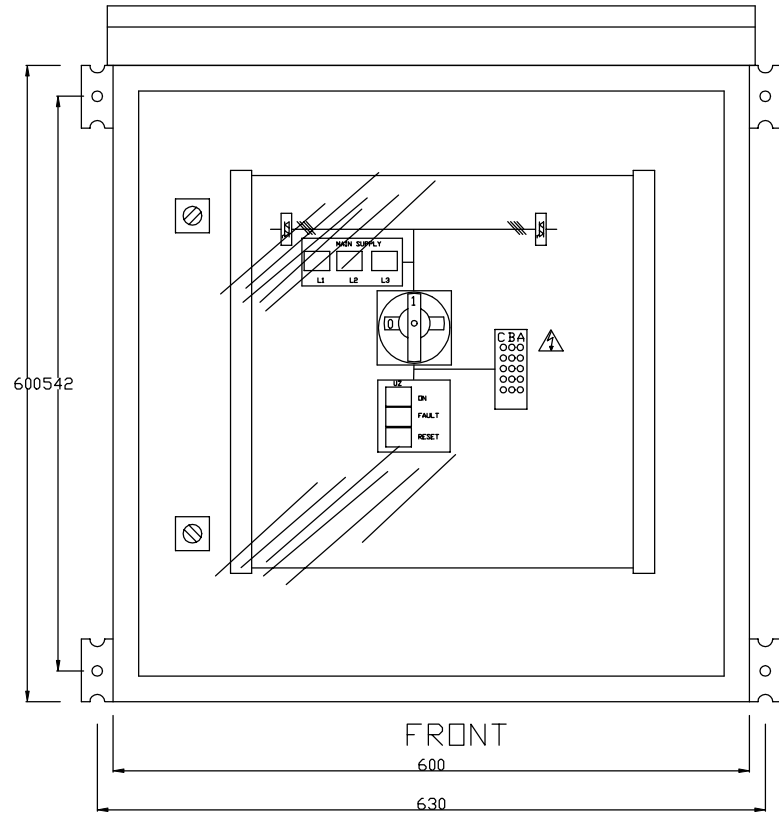
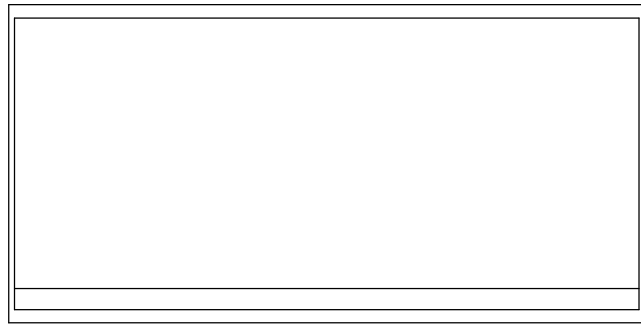
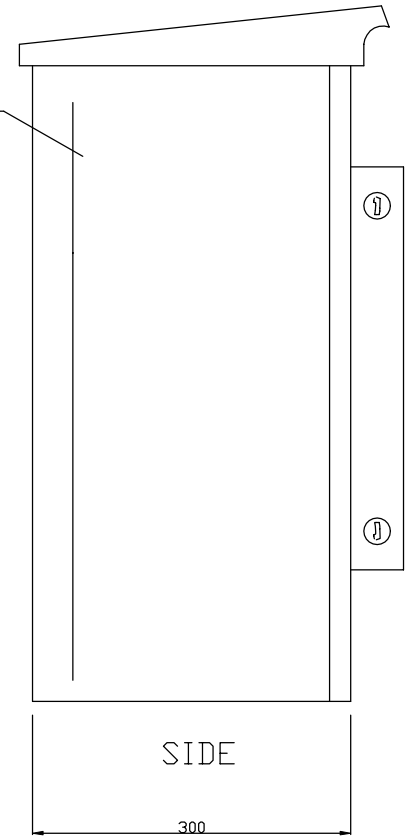


PLATE
SEE DWG. EJ071304



0
1
2
3
4
5
6
7
8
9

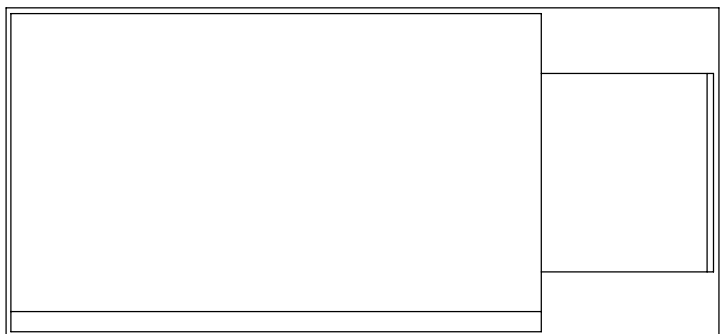
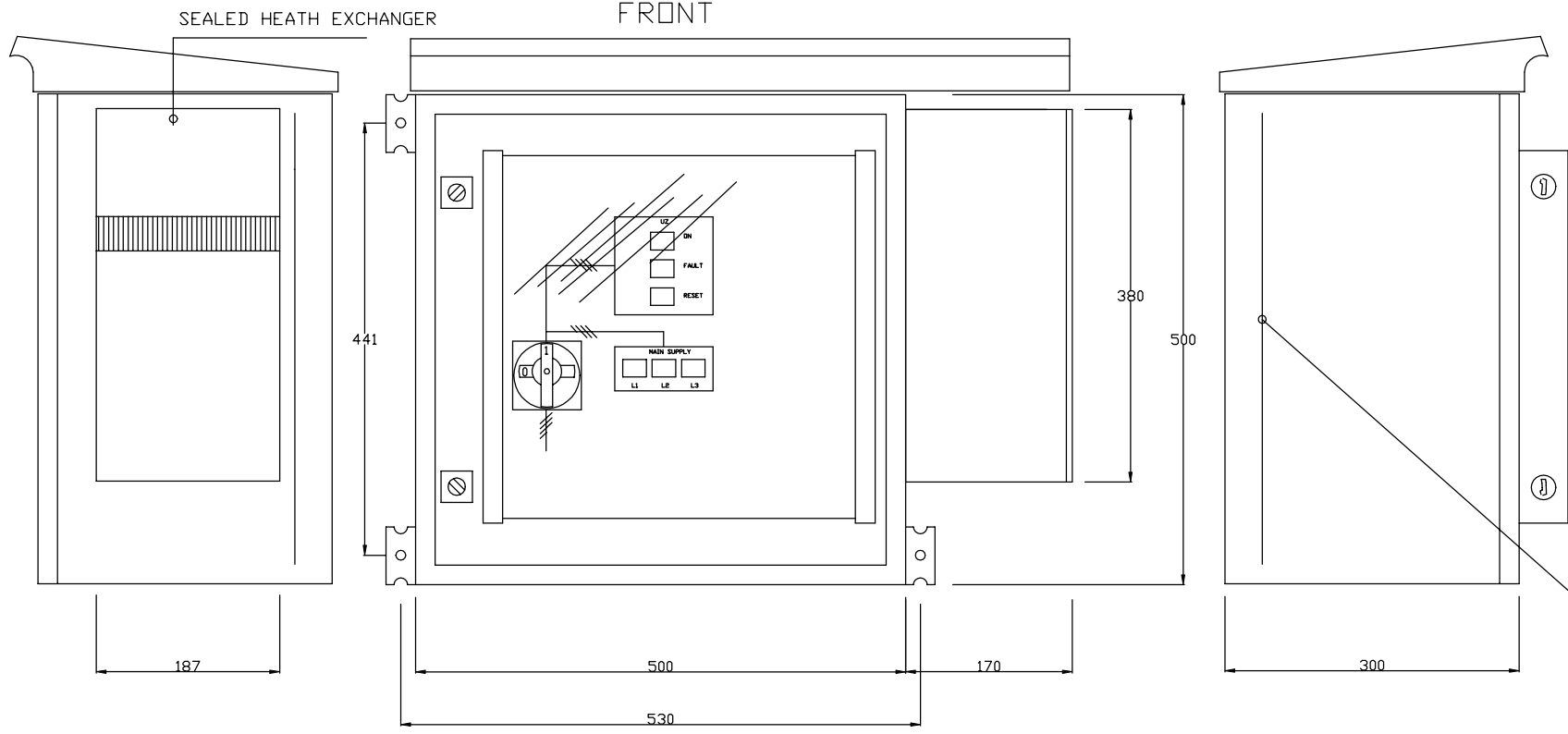
CACCIALANZA & C. s.p.a.
ANTINCENDIO SICUREZZA ANTINQUINAMENTO
SEGRATE (MILANO) - ITALY

TITLE
MONITOR 3 MOTIONS
TYPE A2-A4-A6-A8/EL

CLIENT

			DATE	14.09.2001	DWG N°	46413111
			SCALE	/	PROJECT N°	
			DRAWN	An.T.		
			CHECKED	AL.T.		
REV.	MODIFY	DATE	APPROVED	A.M.	SHEET N°	10 OF 11

a b c d e f g h i j k m n p q r



PLANT

PLATE
SEE DWG. EJ071302

0
1
2
3
4
5
6
7
8
9

CACCIALANZA & C. s.p.a.
ANTINCENDIO SICUREZZA ANTINQUINAMENTO
SEGRATE (MILANO) - ITALY

TITLE
MONITOR 3 MOTIONS
TYPE A2-A4-A6-A8/EL

CLIENT

			DATE	14.09.2001	DWG N°	46413111
			SCALE	/	PROJECT N°	
			DRAWN	An.T.		
			CHECKED	AL.T.		
REV.	MODIFY	DATE	APPROVED	A.M.	SHEET N°.	11 OF 11