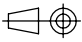


0	14.09.2001	ISSUED	An.T.	Al.T.	A.M.	
Rev.	Date	Description	Drawn	Checked	Approved	
CACCIALANZA & C. <small>s.p.A.</small> ANTINCENDIO SICUREZZA ANTINQUINAMENTO SEGRATE (MILAND) - ITALY		Client / Project				
		Title				
Drawn	14.09.2001	An.T.	PANEL 1 MONITOR (2 MOV.) AND MO VALVE WITH NOZZLE/DEFLECTOR EExd-IB T3-T6 EXPANDED EXECUTION WITH SEPARATE COMMAND BOX AND REMOTE COMMAND PANEL			
Checked	14.09.2001	Al.T.				
Approved	14.09.2001	A.M.				
Code	Sys.	Size	Scale	Dwg nr.	Rev.	Sheet
		A3	/	46404721	0	1
						of 19
THIS DRAWING IS THE PROPERTY OF CACCIALANZA & C. S.p.A. AND IS NOT TO BE REPRODUCED OR USED TO FURNISH ANY INFORMATION FOR MAKING OF DRAWINGS OR APPARATUS EXCEPT WHERE PROVIDED FOR BY AGREEMENT WITH SAID COMPANY						

a	b	c	d	e	f	g			h	i	j	k	m	n	p	q			r					
SHEET	DESCRIPTION						MODIFY					SHEET	DESCRIPTION						MODIFY					0
	A	B	C	D	E	F	G	H	I	A	B		C	D	E	F	G	H	I					
1	COVER	0									29													
2	MODYFY TABLE	0									30													
3	TECHNICAL DATA	0									31													
4	WIRE COLOUR TABLE	0									32													
5	POWER WIRING SPA01RE	0									33													
6	MAIN SUPPLY SPA01RE	0									34													
7	-M01.1 WIRING RIGHT/LEFT	0									35													
8	-M01.2 WIRING UP/DOWN	0									36													
9	-N1 WIRING	0									37													
10	-VA1 WIRING	0									38													
11	EPAR1 WIRING	0									39													
12	EPA12RE-EPAR1 TERMINAL CONNECTIONS	0									40													
13	EPA12RE LAY OUT AND FRONT PANEL	0									41													
14	EPAR1 LAY OUT AND FRONT PANEL	0									42													
15	POWER WIRING EREPU03	0									43													
16	MAIN SUPPLY EREPU03	0									44													
17	EREPU03 WIRING	0									45													
18	EREPU03 TERMINAL CONNECTIONS	0									46													
19	EREPU03 LAY OUT AND FRONT PANEL	0									47													
20		0									48													
21		0									49													
22											50													
23											51													
24											52													
25											53													
26											54													
27											55													
28											56													

a b c d e f g h i j k m n p q r

0
1
2
3
4
5
6
7
8
9

PANEL BOARD TECHNICAL DATA

RATED SERVICE VOLTAGE:.....400V	TYPE OF SEGREGATION:.....FORM 1	TEMPERATURE:.....40°C
RATED INSULATION VOLTAGE:.....500V	INSTALLATION:.....OUTDOOR	DEGREE OF PROTECTION:..EEdx-IIB T3-T6
RATED FREQUENCY:.....50Hz	COMPLIANCE WITH STANDARD:.....CEI 17/13.1	COLOR:.....ALUMINIUM
ELECTRICAL SYSTEM:.....3Ph+PE	IN/OUT CABLES:.....BOTTOM	

CACCIALANZA & C. s.p.a
 ANTINCENDIO SICUREZZA ANTINQUINAMENTO
 SEGRATE (MILANO) - ITALY

TITLE
MONITOR 4 MOTIONS
TYPE A2-A4-A6-A8/EL

CLIENT

			DATE	14.09.2001	DWG N°	46404721
			SCALE	/		
			DRAWN	An.T.	PROJECT N°	
0	ISSUED	14.09.01	CHECKED	ALT.		
REV.	MODIFY	DATE	APPROVED	A.M.	SHEET N°	3 OF 19

a b c d e f g h i j k m n p q r

0
1
2
3
4
5
6
7
8
9

POWER CIRCUIT		AUXILIARY CIRCUIT	
MIN. SECTION 2,5mmq		MIN. SECTION 1,5mmq	
CONDUCTOR		CONDUCTOR	
PHASES	BLACK	24V - C.A.	RED
NEUTRAL	LIGHT BLUE	110V - A.C	RED
GROUND	YELLOW-GREEN	220V - A.C	BLACK
		24V - D.C	BLUE
WIRE COLOUR TABLE			

CACCIALANZA & C. s.p.a.
 ANTINCENDIO SICUREZZA ANTINQUINAMENTO
 SEGRATE (MILANO) - ITALY

TITLE
MONITOR 4 MOTIONS
 TYPE A2-A4-A6-A8/EL

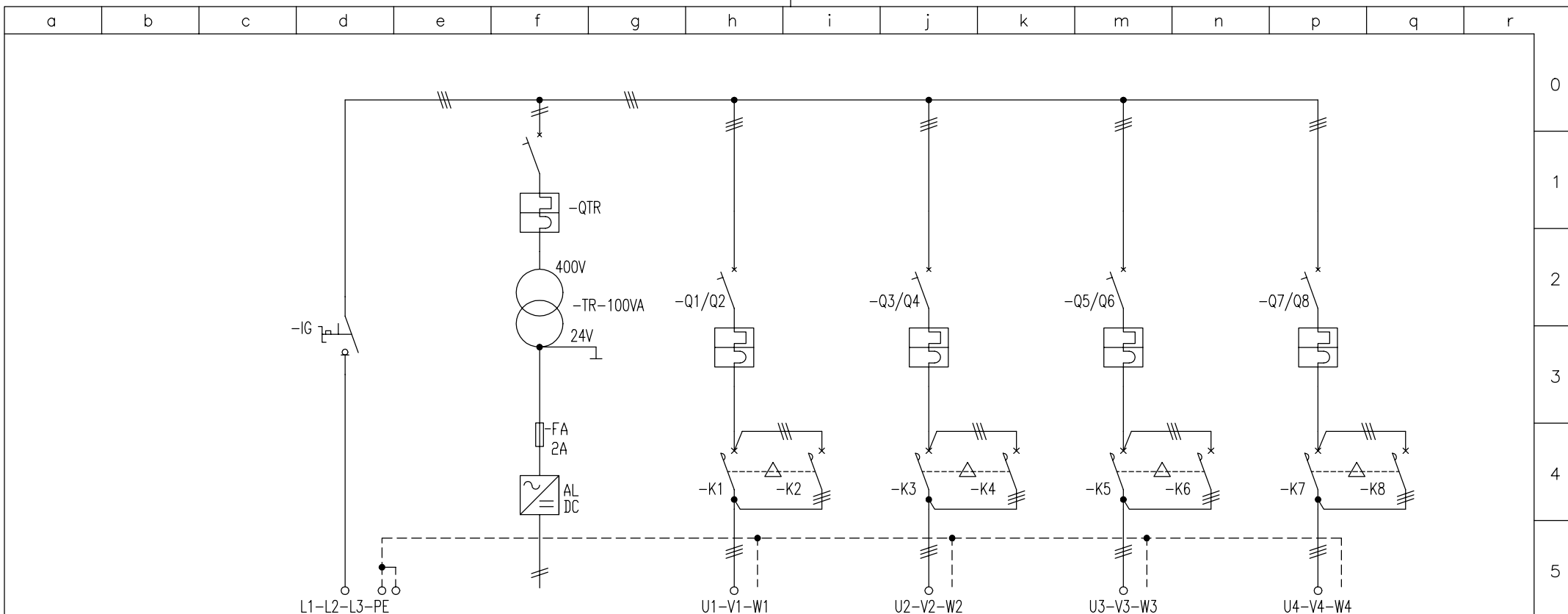
CLIENT

			DATE	14.09.2001
			SCALE	/
			DRAWN	An.T.
0	ISSUED	14.09.01	CHECKED	AL.T.
REV.	MODIFY	DATE	APPROVED	A.M.

DWG N° **46404721**

PROJECT N°

SHEET N° 4 OF 19



USE	CIRCUIT		n?		MAIN SUPPLY		RIGHT/LEFT MONITOR MO1.1		UP/DOWN MONITOR MO1.2		NOZZLE -N1		VALVE -VA1	
	DESCRIPTION		Kw	A	1,9	3,8	0,45	0,9	0,45	0,9	0,45	0,9	0,45	0,9
ELECTRICAL EQUIPMENT	RATED SERVICE POWER AND CURRENT		Kw	A										
	TYPE		P1-25 /Z				DILER40//G(24VDC)		DILER40/G(24VDC)		DILER40/G(24VDC)		DILER40/G(24VDC)	
	RATED CURRENT - N. POLES		A	n?	25	3								
	BREAKING CAPACITY		V	KA	400									
	SETTING CURRENT MAG. ELEMENT		A											
	SETTING CURRENT THE. ELEMENT		A											
	SETTING CURRENT Id		A											
	TYPE						AC-3		AC-3		AC-3		AC-3	
	RATED CURRENT		A											
	UTILIZATION CATEGORY													
LINE	TYPE						(4G2,5)		(4G2,5)		(4G2,5)		(4G2,5)	
	SECTION		mmq											
	LANCE		mt											
	RATED CURRENT(Iz)		A											

CACCIALANZA & C. s.p.a
 ANTINCENDIO SICUREZZA ANTINQUINAMENTO
 SEGRATE (MILAND) - ITALY

TITLE
MONITOR 4 MOTIONS
 TYPE A2-A4-A6-A8/EL

CLIENT

DATE	14.09.2001
SCALE	/
DRAWN	An.T.
CHECKED	AL.T.
APPROVED	A.M.

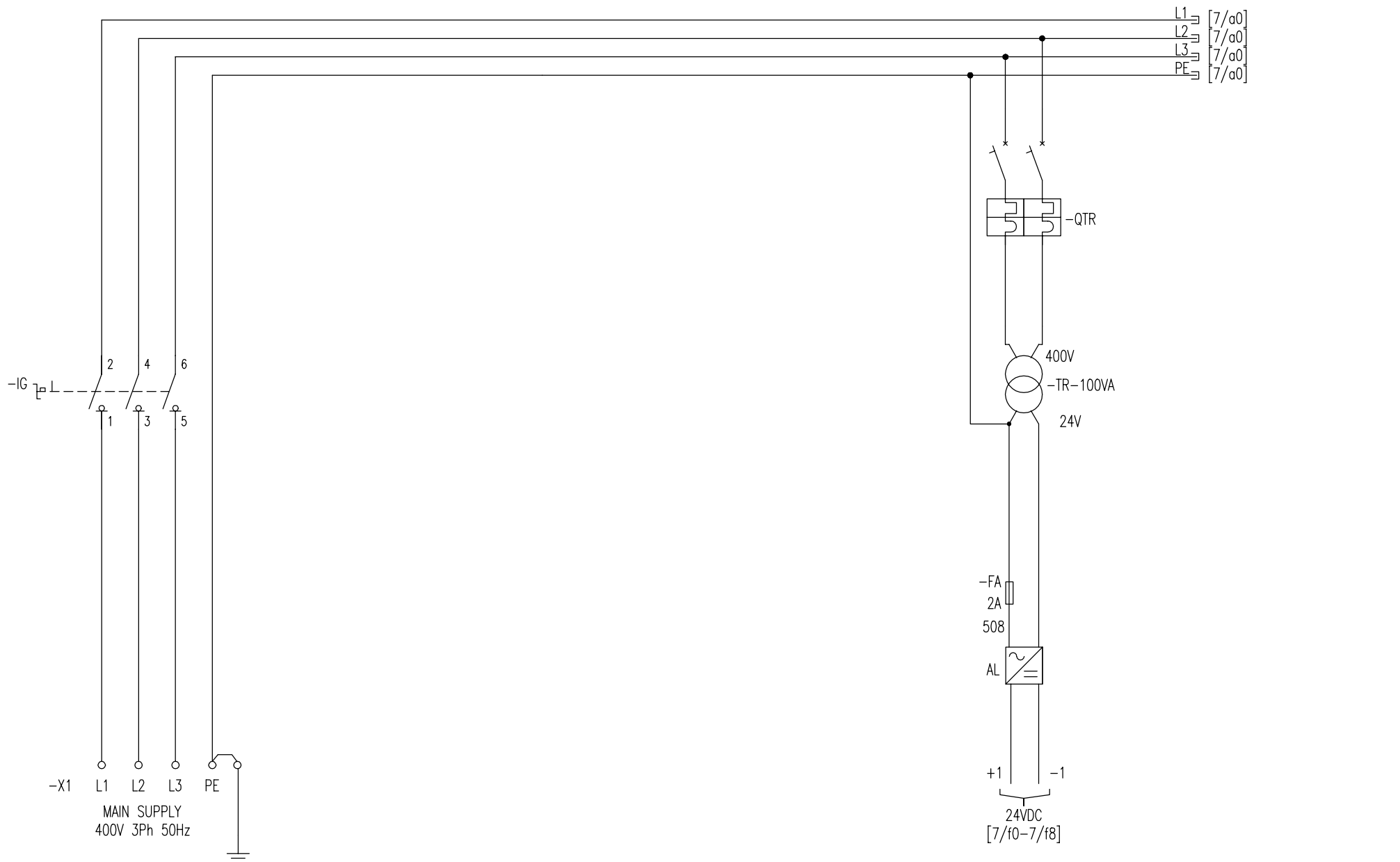
DWG N° **46404721**

PROJECT N°

SHEET N° 5 OF 19

0	ISSUED	14.09.01
REV.	MODIFY	DATE

a b c d e f g h i j k m n p q r



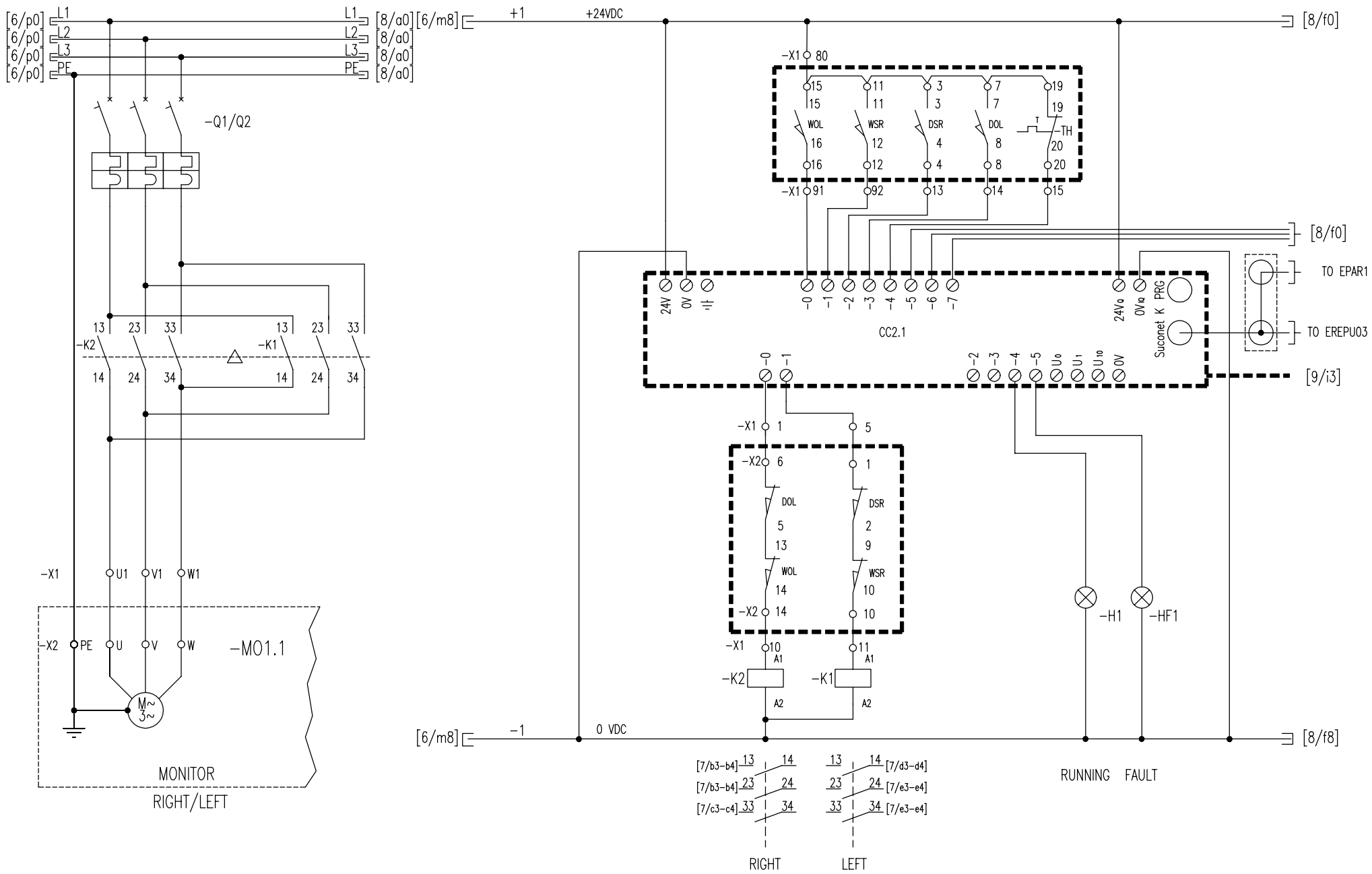
0
1
2
3
4
5
6
7
8
9

CACCIALANZA & C. s.p.a.
 ANTINCENDIO SICUREZZA ANTINQUINAMENTO
 SEGRATE (MILANO) - ITALY

TITLE
MONITOR 4 MOTIONS
 TYPE A2-A4-A6-A8/EL

CLIENT

			DATE	14.09.2001	DWG N°	46404721
			SCALE	/	PROJECT N°	
			DRAWN	An.T.		
0	ISSUED	14.09.01	CHECKED	AL.T.		
REV.	MODIFY	DATE	APPROVED	A.M.	SHEET N°	6 OF 19



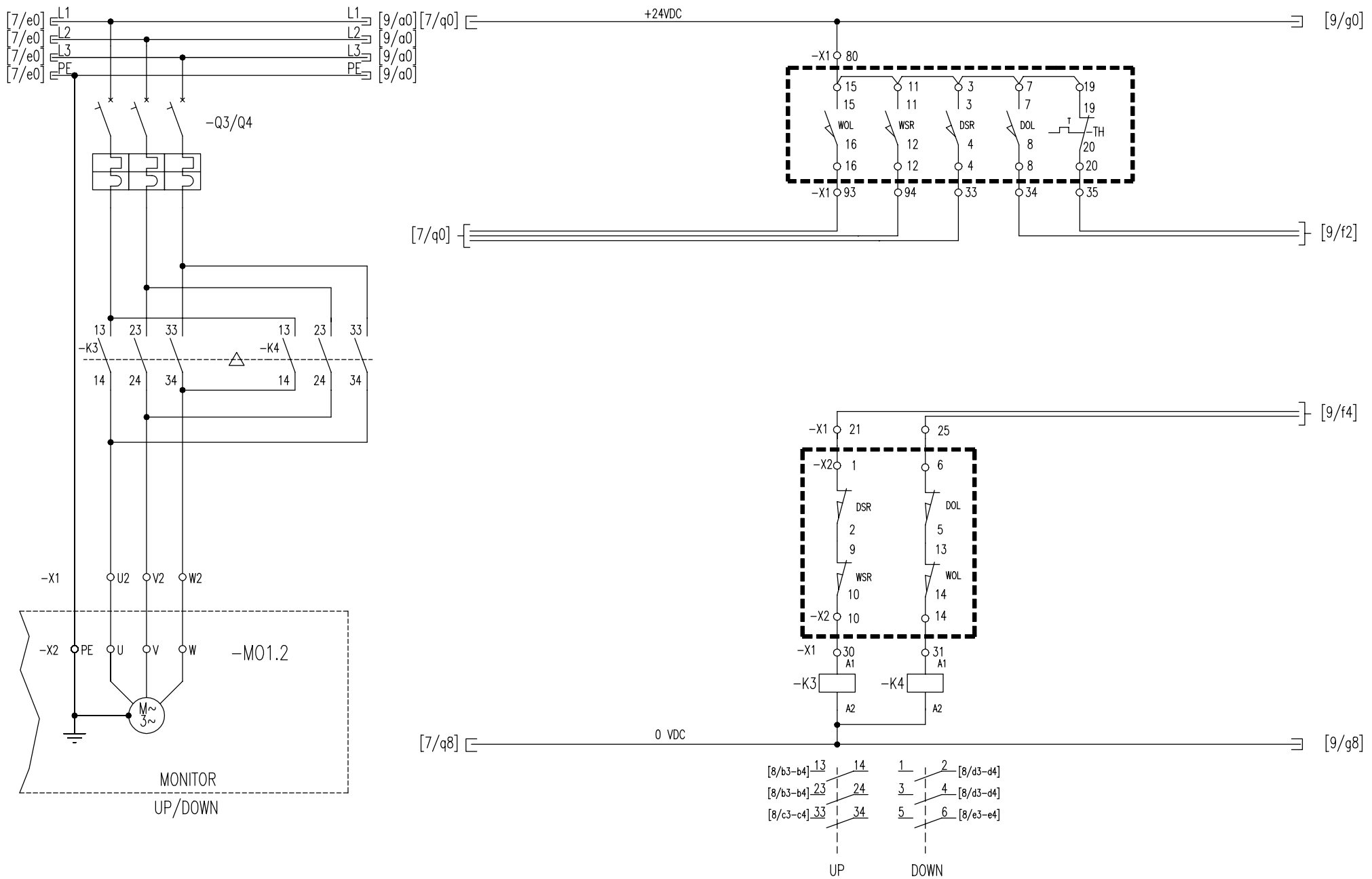
CACCIALANZA & C. s.p.a.
ANTINCENDIO SICUREZZA ANTINQUINAMENTO
SEGRATE (MILAND) - ITALY

TITLE
MONITOR 4 MOTIONS
TYPE A2-A4-A6-A8/EL

CLIENT

DATE	14.09.2001
SCALE	/
DRAWN	An.T.
CHECKED	AL.T.
APPROVED	A.M.
REV.	MODIFY
0	ISSUED
DATE	14.09.01

DWG N° 46404721
PROJECT N°
SHEET N. 7 OF 19



CACCIALANZA & C. s.p.a.
ANTINCENDIO SICUREZZA ANTINQUINAMENTO
SEGRATE (MILANO) - ITALY

TITLE
MONITOR 4 MOTIONS
TYPE A2-A4-A6-A8/EL

CLIENT

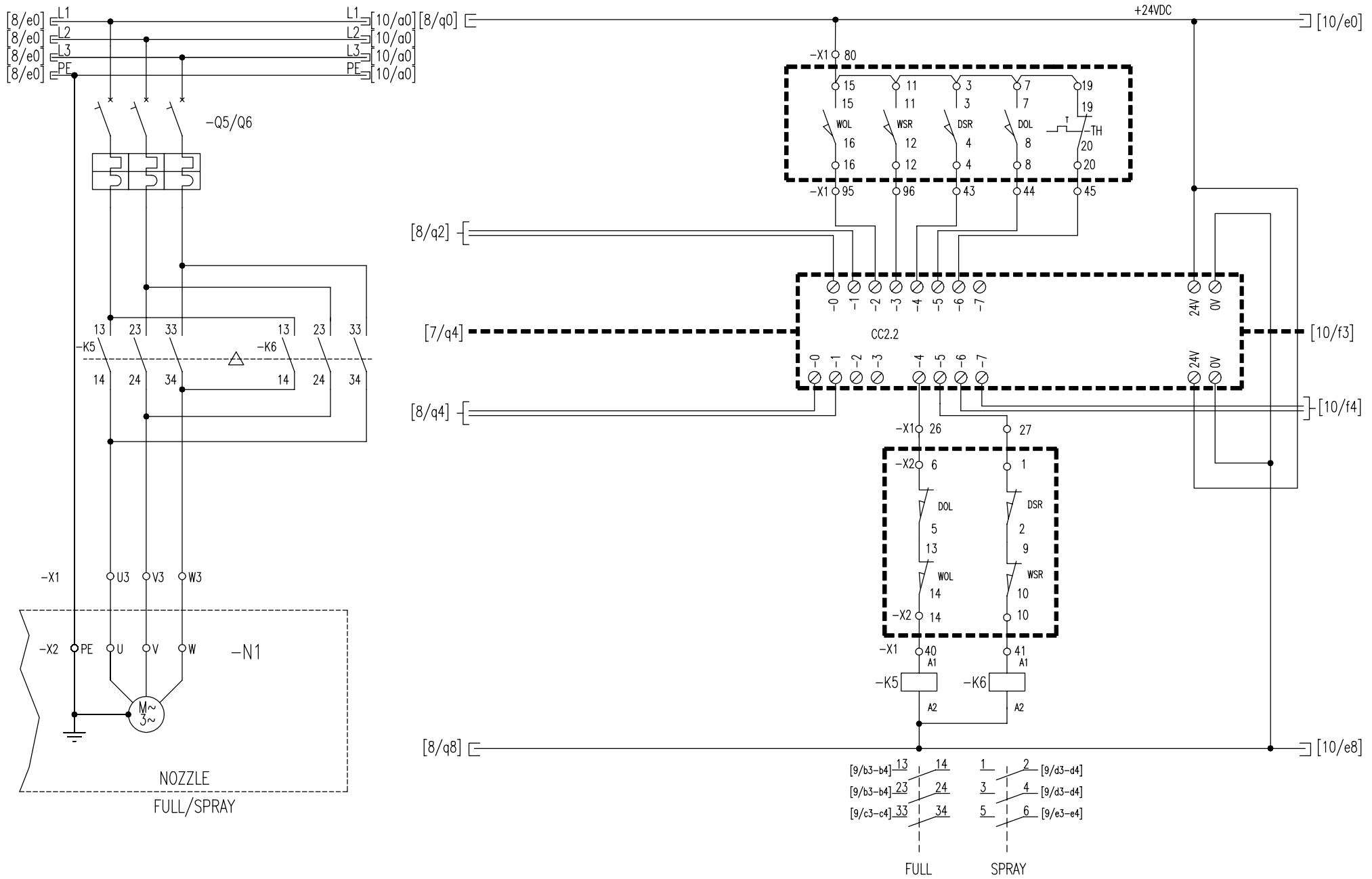
DATE	14.09.2001
SCALE	/
DRAWN	An.T.
CHECKED	AL.T.
APPROVED	A.M.

DWG N° 46404721

PROJECT N°

SHEET N. 8 OF 19

0	ISSUED	14.09.01
REV.	MODIFY	DATE



CACCIALANZA & C. s.p.a.
ANTINCENDIO SICUREZZA ANTINQUINAMENTO
SEGRATE (MILANO) - ITALY

TITLE
MONITOR 4 MOTIONS
TYPE A2-A4-A6-A8/EL

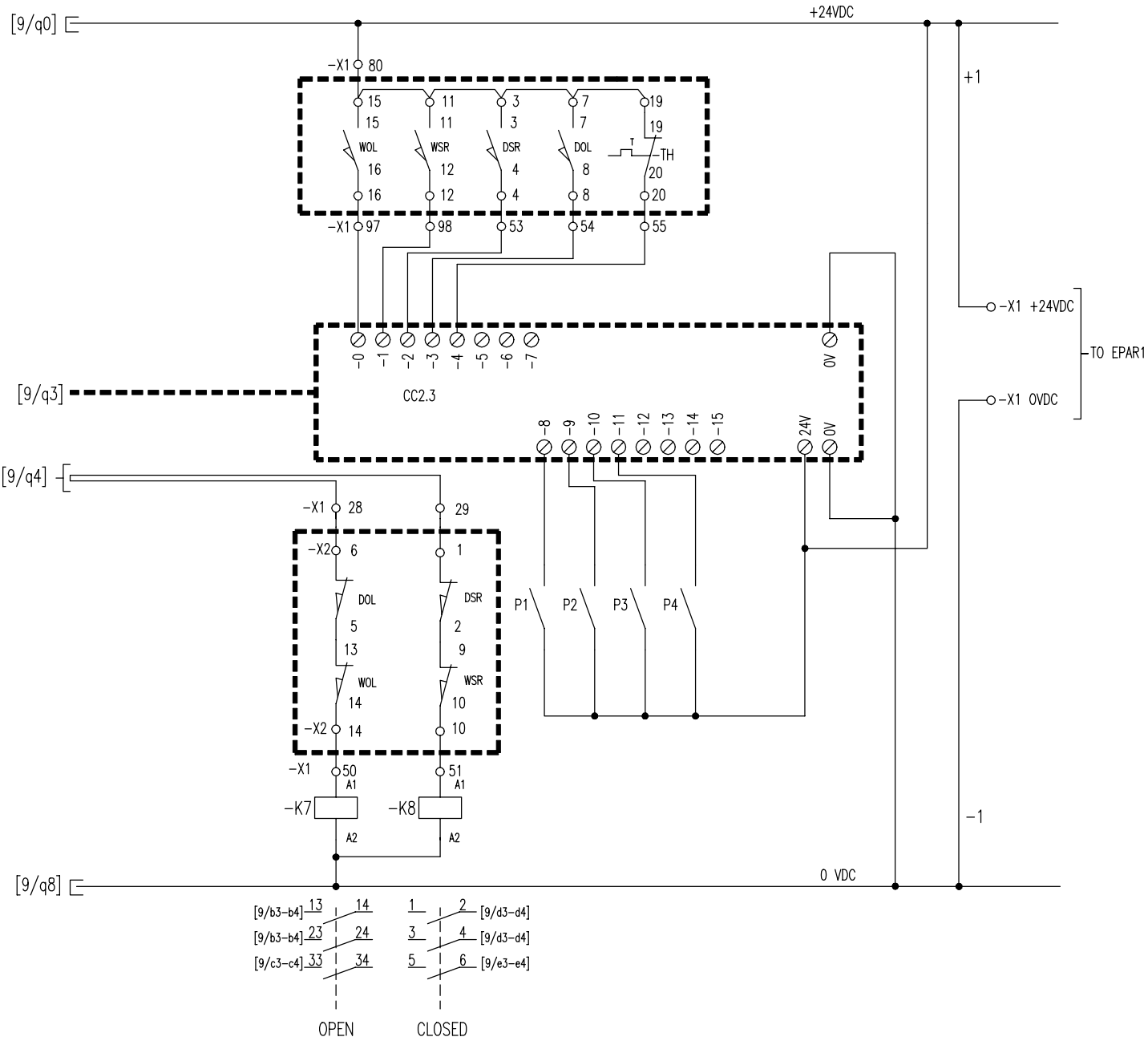
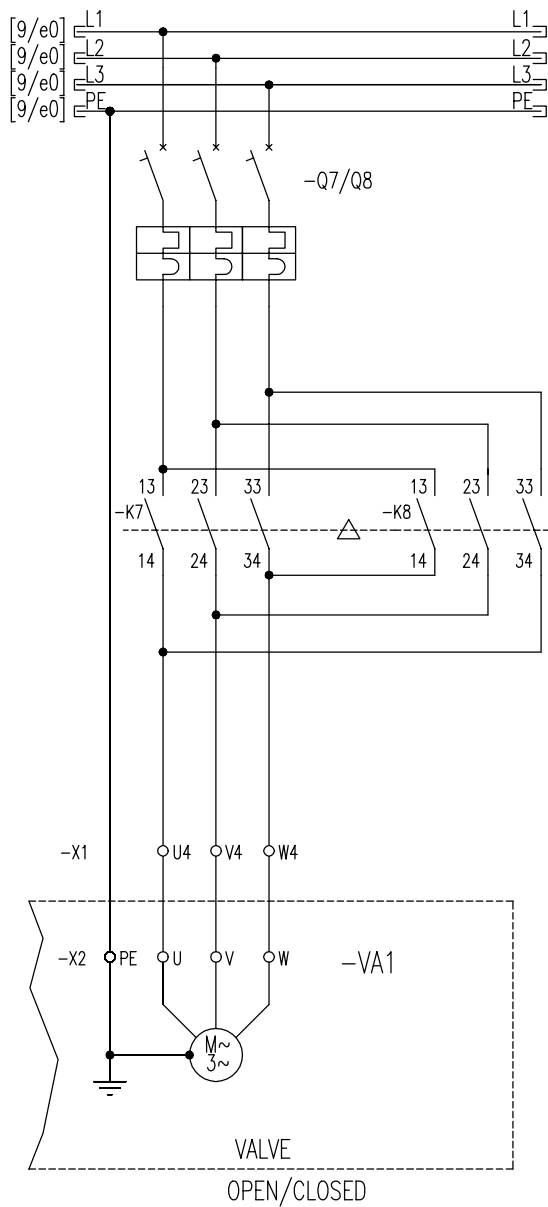
CLIENT

DATE	14.09.2001
SCALE	/
DRAWN	An.T.
CHECKED	AL.T.
APPROVED	A.M.
REV.	MODIFY
DATE	APPROVED

DWG N° 46404721

PROJECT N°

SHEET N. 9 OF 19



0
1
2
3
4
5
6
7
8
9

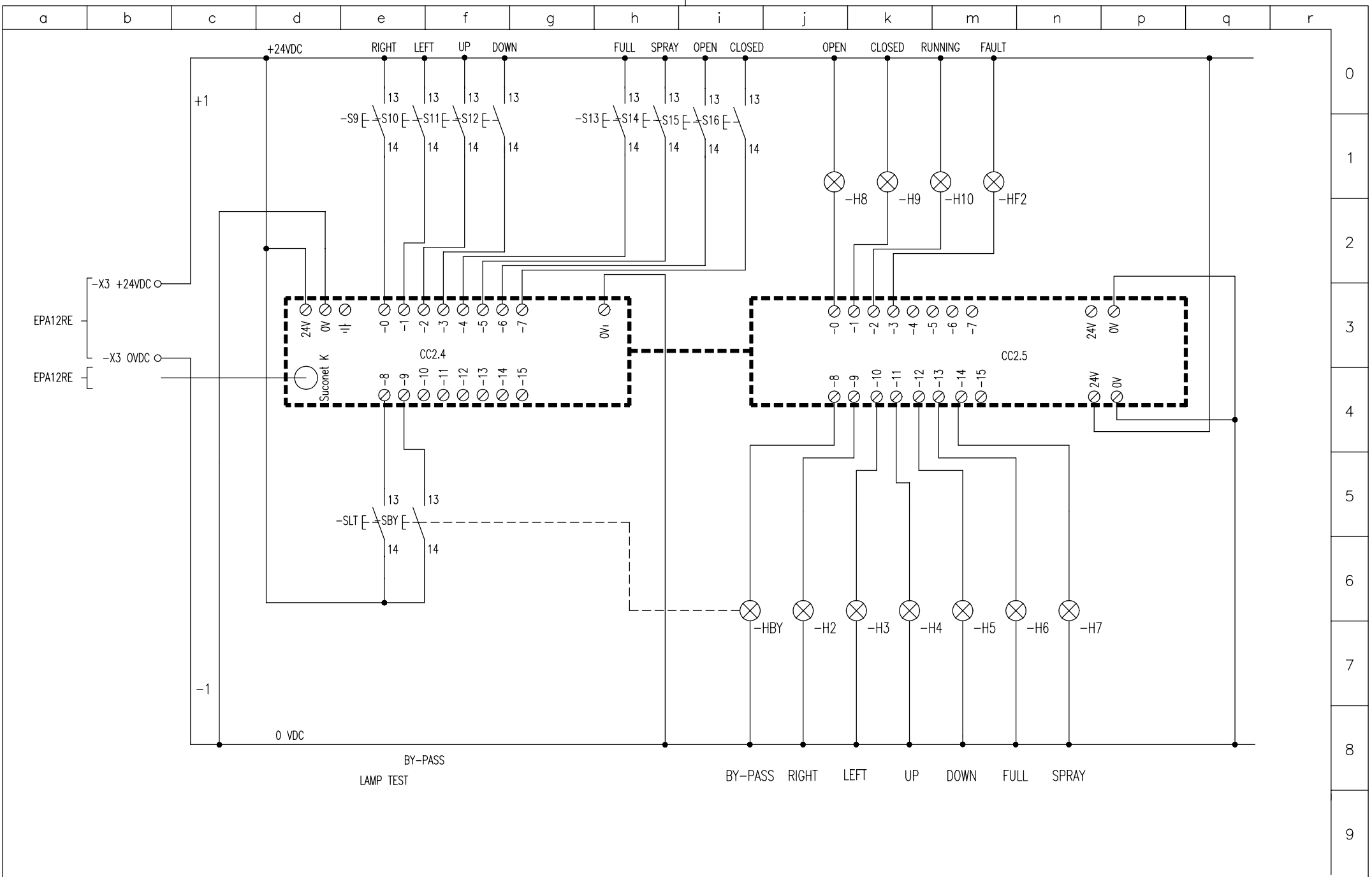
CACCIALANZA & C. s.p.a.
ANTINCENDIO SICUREZZA ANTINQUINAMENTO
SEGRATE (MILAND) - ITALY

TITLE
MONITOR 4 MOTIONS
TYPE A2-A4-A6-A8/EL

CLIENT

DATE	14.09.2001
SCALE	/
DRAWN	An.T.
CHECKED	AL.T.
APPROVED	A.M.
REV.	MODIFY
DATE	APPROVED

DWG N° 46404721
PROJECT N°
SHEET N°. 10 OF 19



CACCIALANZA & C. S.p.A.
 ANTINCENDIO SICUREZZA ANTINQUINAMENTO
 SEGRATE (MILANO) - ITALY

TITLE
MONITOR 4 MOTIONS
 TYPE A2-A4-A6-A8/EL

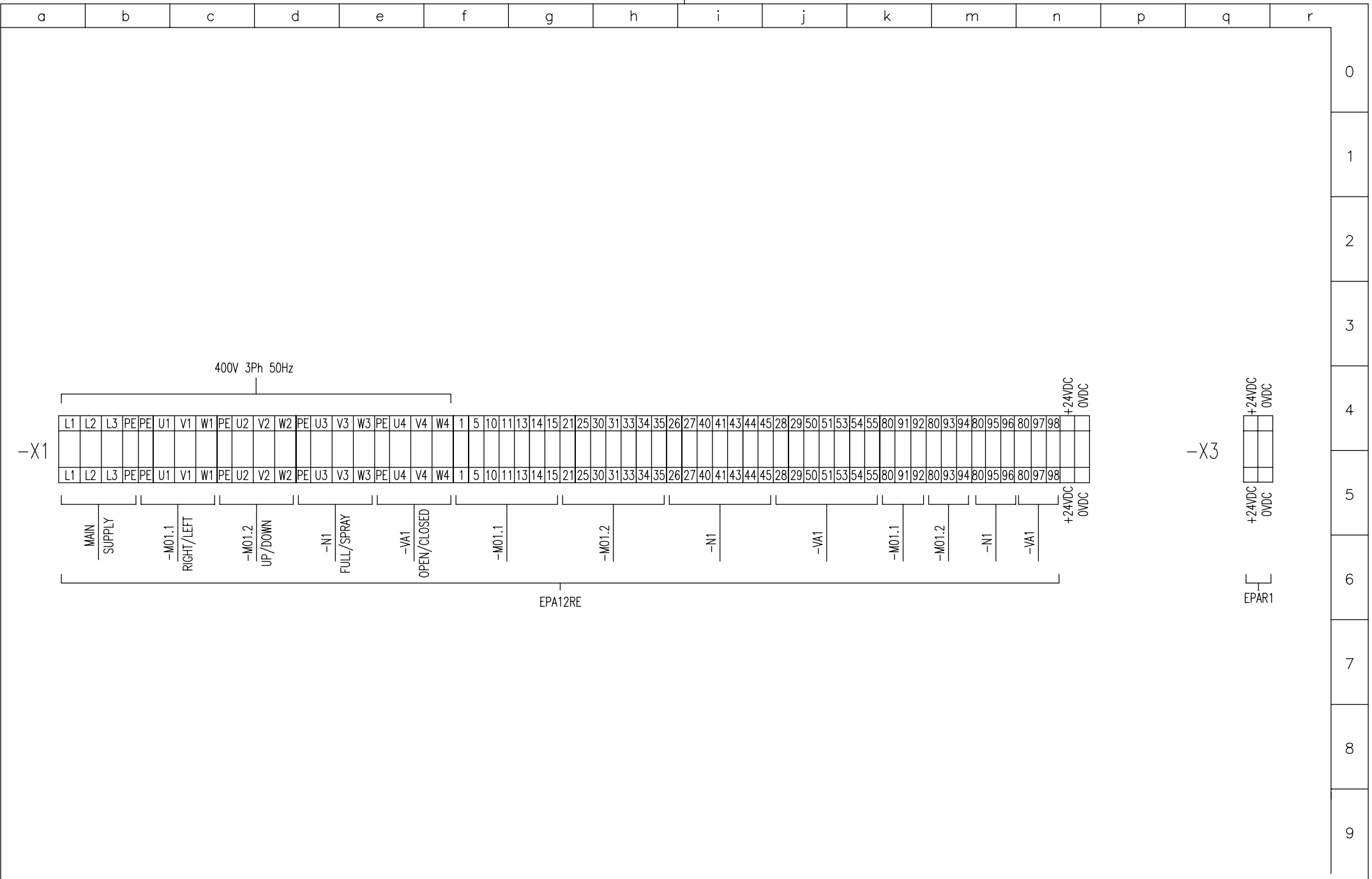
CLIENT

DATE	14.09.2001
SCALE	/
DRAWN	An.T.
CHECKED	ALT.
DATE	14.09.01
APPROVED	A.M.

DWG N° **46404721**

PROJECT N°

SHEET N. 11 OF 19



CACCIALANZA & C. s.p.a.
 ANTINCENDIO SICUREZZA ANTINQUINAMENTO
 SEGRATE (MILANO) - ITALY

TITLE
MONITOR 4 MOTIONS
 TYPE A2-A4-A6-A8/EL

CLIENT

DATE	14.09.2001
SCALE	/
DRAWN	An.T.
0	ISSUED
14.09.01	CHECKED
DATE	APPROVED
REV.	MODIFY

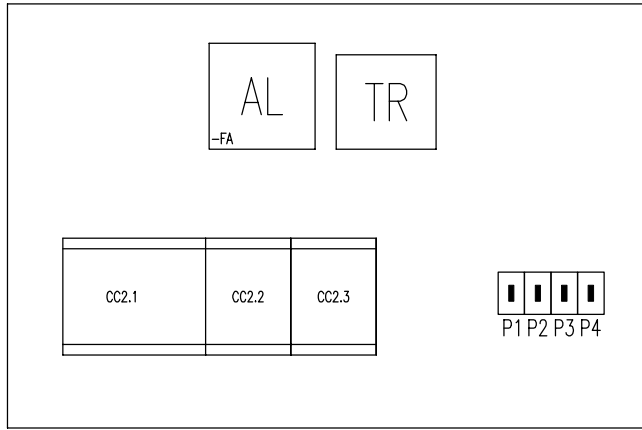
DWG N° **46404721**

PROJECT N°

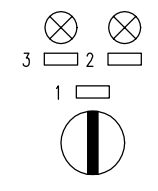
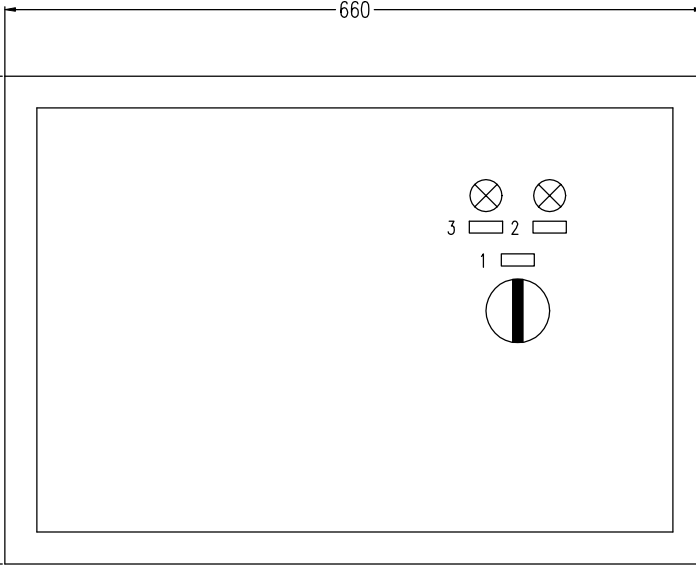
SHEET N°. 12 OF 19

a b c d e f g h i j k m n p q r

EPA12RE

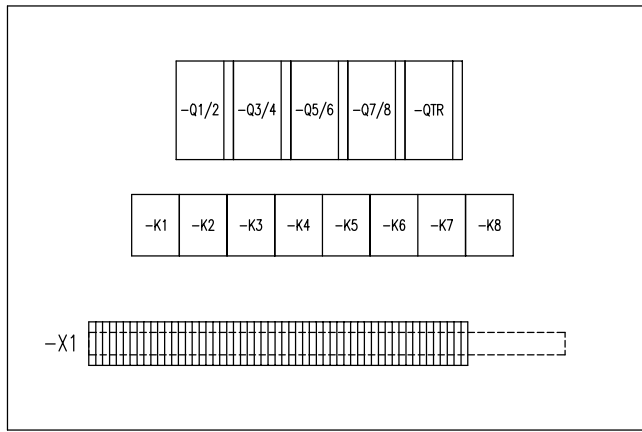


460

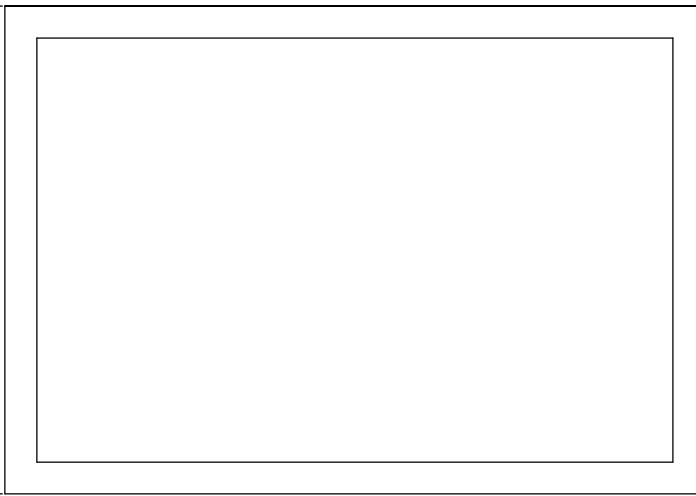


- 1 MAIN SWITCH (-IG)
- 2 RUNNING (-H1)
- 3 FAULT (-HF1)

0
1
2
3
4
5
6
7
8
9



460



1040

INTERNAL LAY-OUT

DEEP=350 mm

OUTLINE DIMENSIONS

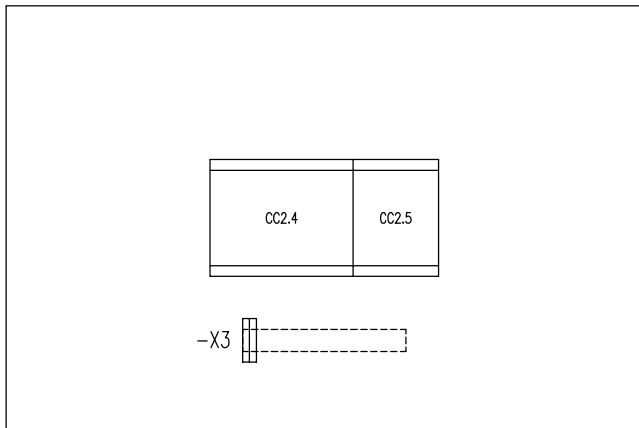
CACCIALANZA & C. s.p.a.
ANTINCENDIO SICUREZZA ANTINQUINAMENTO
SEGRATE (MILANO) - ITALY

TITLE
MONITOR 4 MOTIONS
TYPE A2-A4-A6-A8/EL

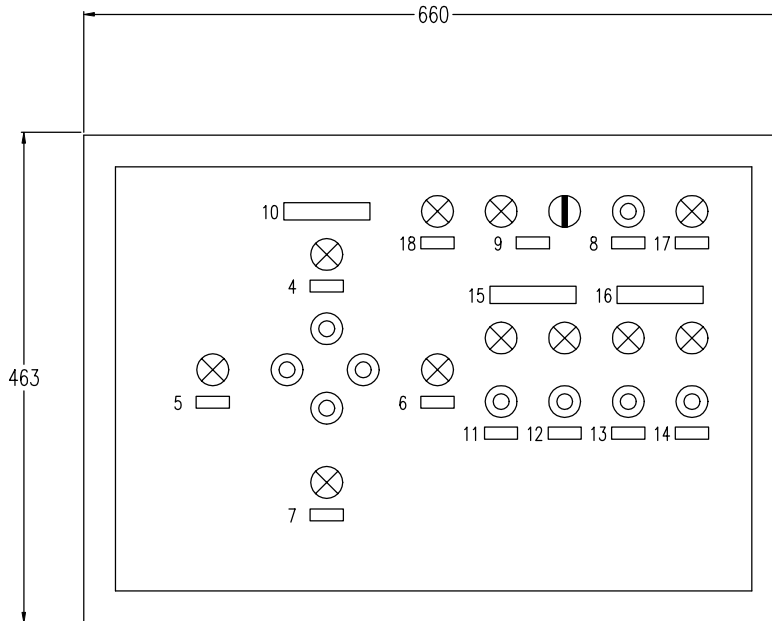
CLIENT

			DATE	14.09.2001	DWG N°	46404721
			SCALE	/	PROJECT N°	
			DRAWN	An.T.		
0	ISSUED	14.09.01	CHECKED	AL.T.		
REV.	MODIFY	DATE	APPROVED	A.M.	SHEET N°	13 OF 19

EPAR1



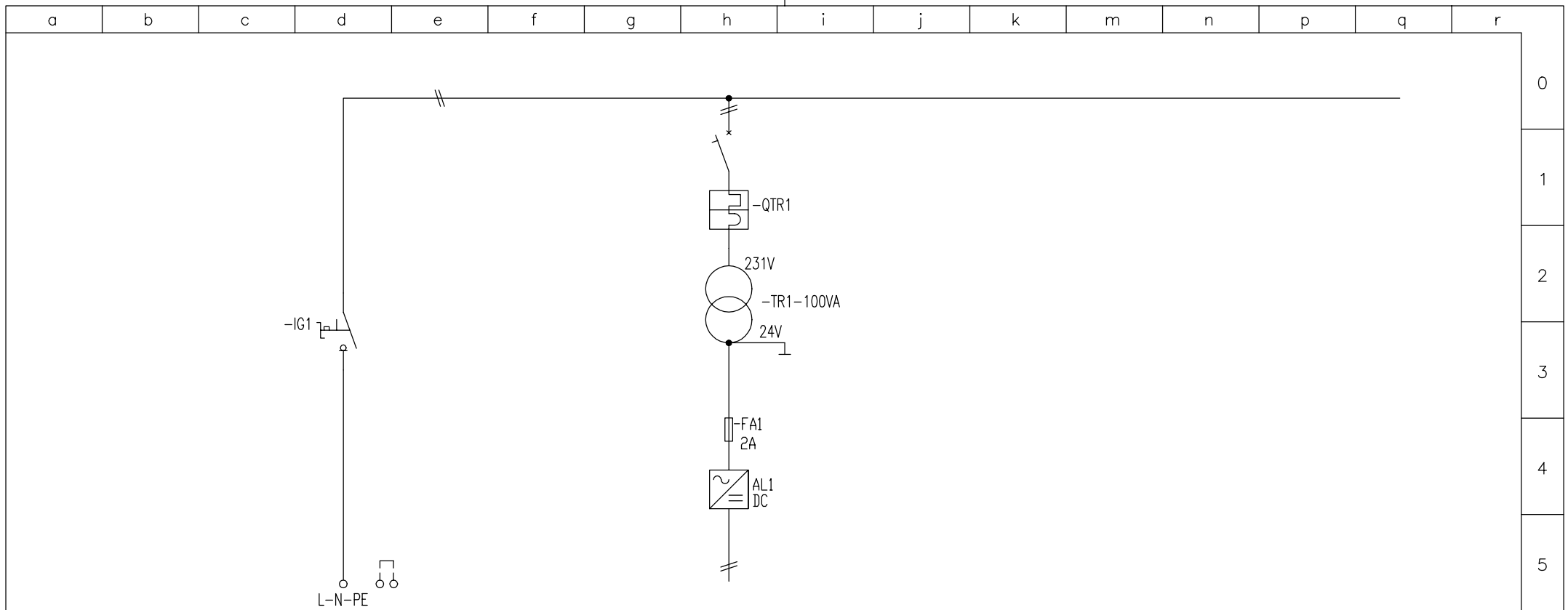
INTERNAL LAY-OUT



OUTLINE DIMENSIONS

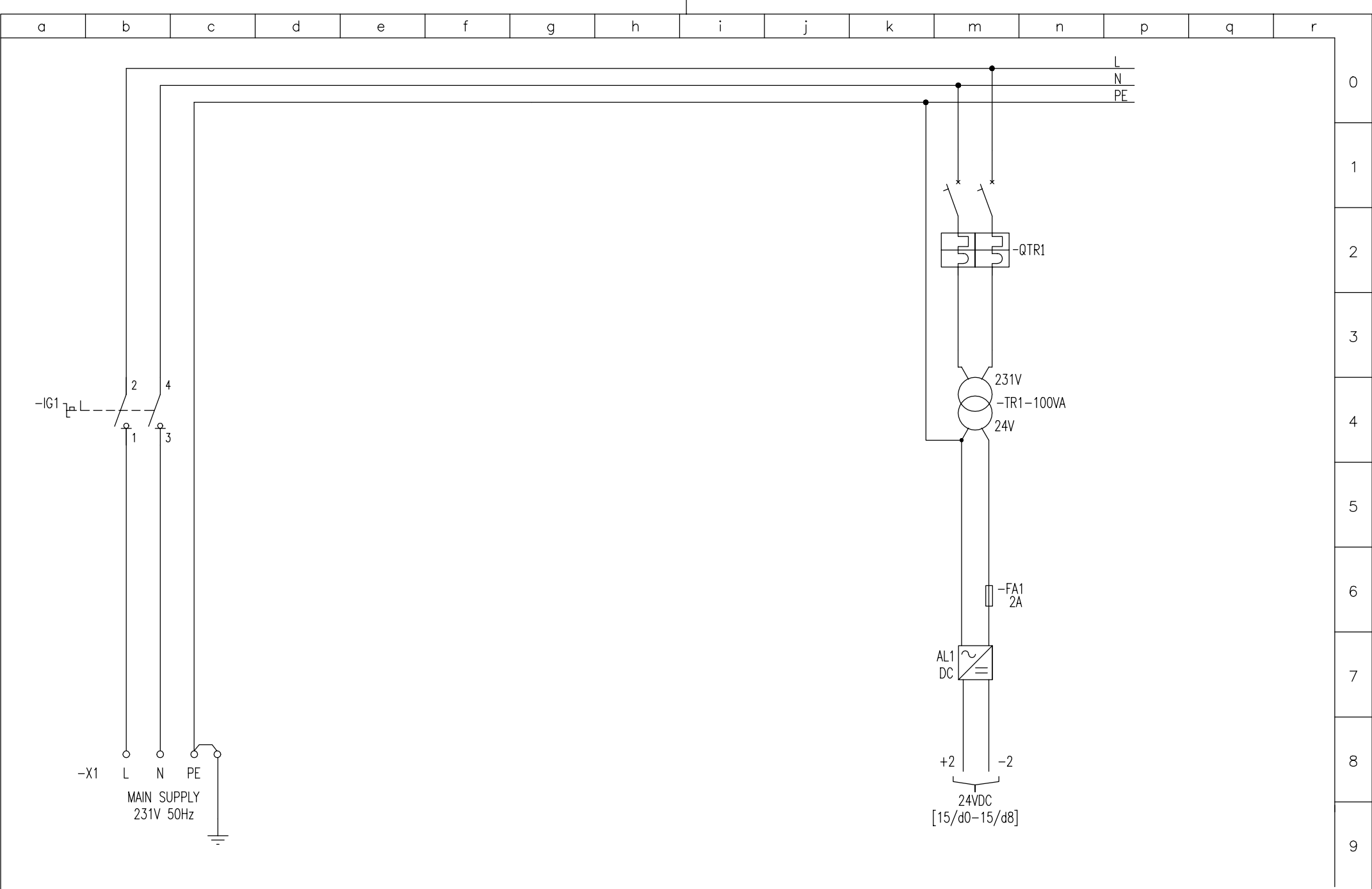
DEEP=350 mm

- 4 UP (-H4 -S11)
- 5 LEFT (-H3 -S10)
- 6 RIGHT (-H2 -S9)
- 7 DOWN (-H5 -S12)
- 8 LAMP TEST (-SLT)
- 9 BY-PASS (-SBY -HBY)
- 10 MONITOR -M01.1
- 11 FULL (-H6 -S13)
- 12 SPRAY (-H7 -S14)
- 13 OPEN (-H8 -S15)
- 14 CLOSED (-H9 -S16)
- 15 NOZZLE -N1
- 16 VALVE -VA1
- 17 FAULT (-HF2)
- 18 RUNNING (-H10)



USE	CIRCUIT		n?		DESCRIPTION		MAIN FEEDER (SREPU03)															
	RATED SERVICE POWER	AND CURRENT	Kw	A	Kw	A	0,1	0,6														
ELECTRICAL EQUIPMENT	SWITCH	TYPE			P1-25/Z																	
		RATED CURRENT - N. POLES	A	n?	25	2																
		BREAKING CAPACITY	V	KA	231																	
		SETTING CURRENT MAG. ELEMENT			A																	
		SETTING CURRENT THE. ELEMENT			A																	
	CON-FACTOR	TYPE																				
		RATED CURRENT			A																	
		UTILIZATION CATEGORY																				
		TYPE																				
		SETTING RANGE			A																	
THERMAL RELAY	SETTING CURRENT			A																		
	FUSEHOLDER - TYPE & CURRENT			A																		
	FUSES - TYPE & SETTING CURRENT			A																		
	AMMETER																					
	VOLTMETER																					
LINE	CABLE	TYPE																				
		SECTION			mmq																	
		LANCE			mt																	
		RATED CURRENT(Iz)			A																	

CACCIALANZA & C. s.p.a ANTINCENDIO SICUREZZA ANTINQUINAMENTO SEGRATE (MILANO) - ITALY	TITLE MONITOR 4 MOTIONS TYPE A2-A4-A6-A8/EL		CLIENT _____		DATE 14.09.2001 SCALE / DRAWN An.T. 0 ISSUED 14.09.01 REV. MODIFY DATE APPROVED A.M.		DWG N° 46404721 PROJECT N° _____ SHEET N° 15 OF 19	
--	---	--	-----------------	--	--	--	--	--

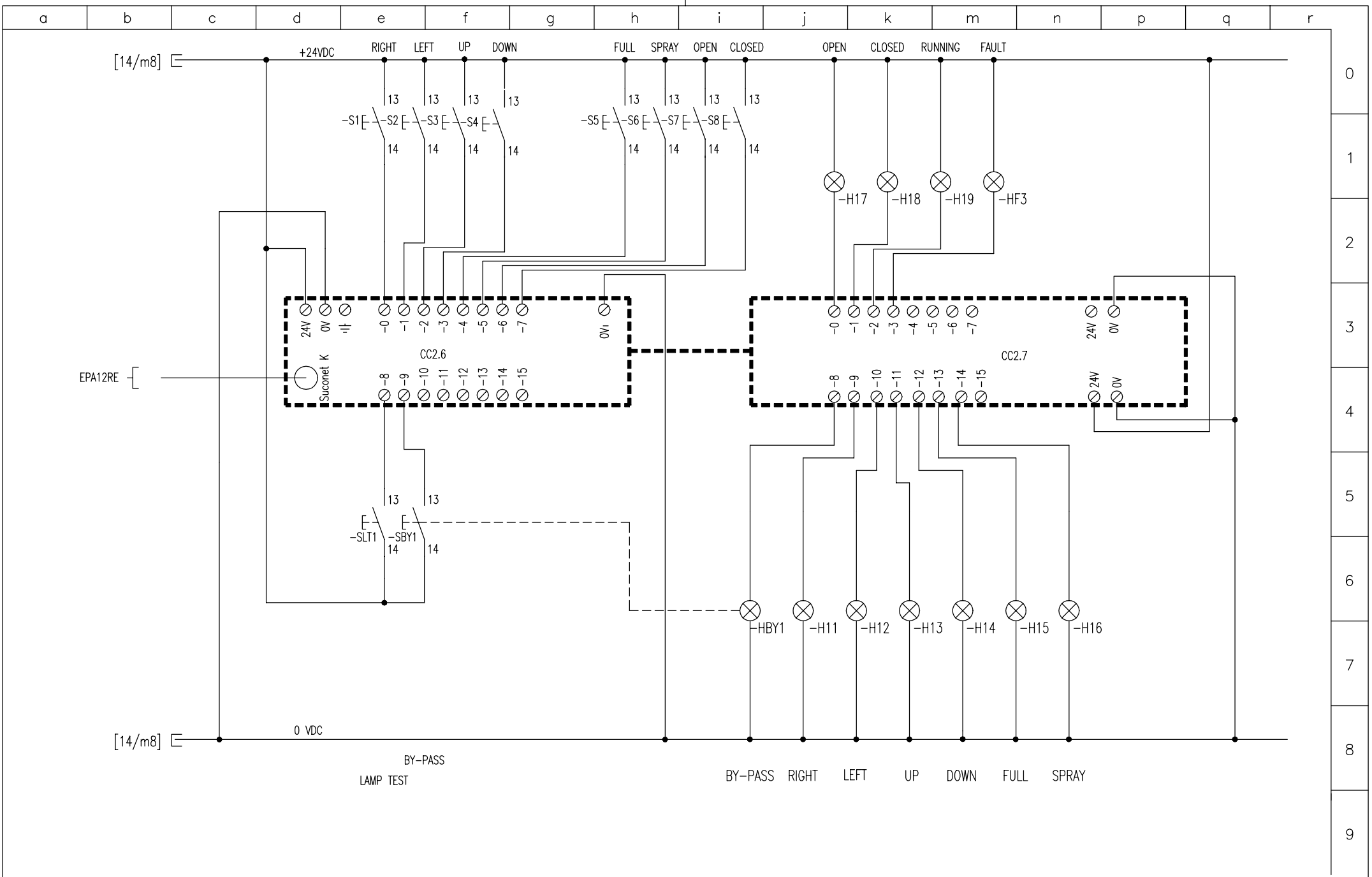


CACCIALANZA & C. s.p.a.
 ANTINCENDIO SICUREZZA ANTINQUINAMENTO
 SEGRATE (MILANO) - ITALY

TITLE
MONITOR 4 MOTIONS
 TYPE A2-A4-A6-A8/EL

CLIENT

		DATE	14.09.2001	DWG N°	46404721
		SCALE	/	PROJECT N°	
		DRAWN	An.T.		
0	ISSUED	14.09.01	CHECKED	AL.T.	
REV.	MODIFY	DATE	APPROVED	A.M.	SHEET N°. 16 OF 19



CACCIALANZA & C. s.p.a.
 ANTINCENDIO SICUREZZA ANTINQUINAMENTO
 SEGRATE (MILANO) - ITALY

TITLE
 MONITOR 4 MOTIONS
 TYPE A2-A4-A6-A8/EL

CLIENT

DATE	14.09.2001
SCALE	/
DRAWN	An.T.
CHECKED	ALT.
DATE	14.09.01
APPROVED	A.M.

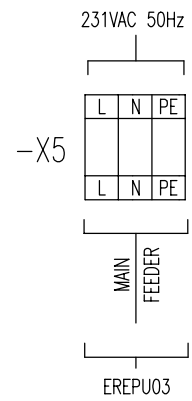
DWG N° 46404721

PROJECT N°

SHEET N°. 17 OF 19

a b c d e f g h i j k m n p q r

0
1
2
3
4
5
6
7
8
9



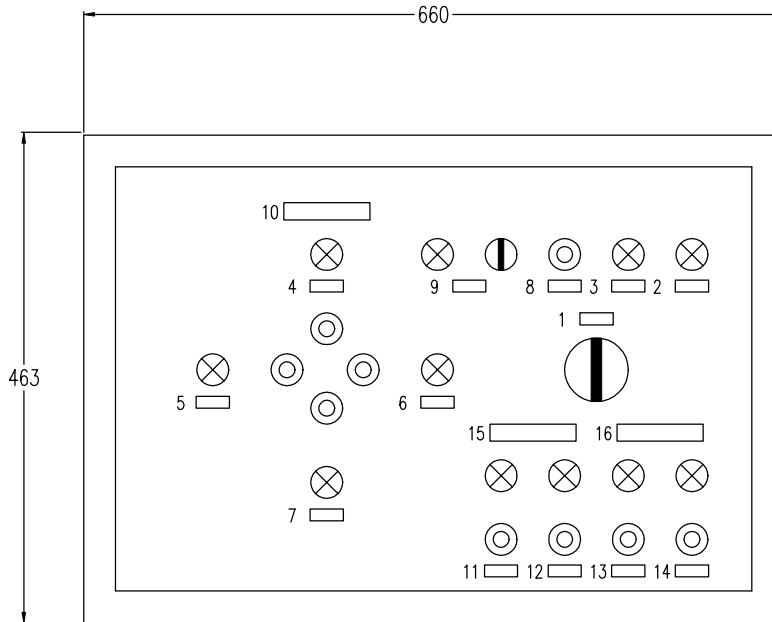
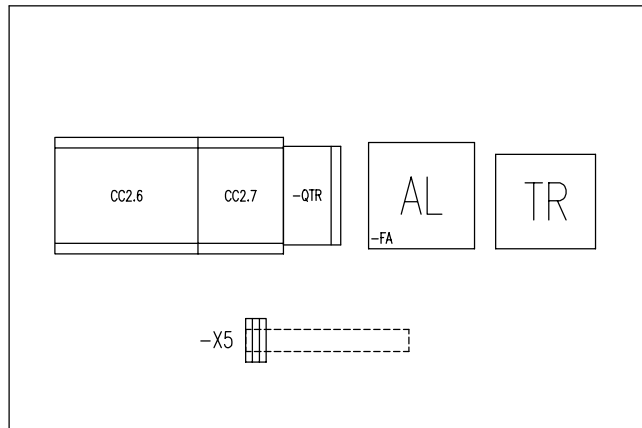
CACCIALANZA & C. s.p.a.
 ANTINCENDIO SICUREZZA ANTINQUINAMENTO
 SEGRATE (MILANO) - ITALY

TITLE
MONITOR 4 MOTIONS
 TYPE A2-A4-A6-A8/EL

CLIENT

			DATE	14.09.2001	DWG N°	46404721
			SCALE	/		
			DRAWN	An.T.	PROJECT N°	
0	ISSUED	14.09.01	CHECKED	ALT.		
REV.	MODIFY	DATE	APPROVED	A.M.	SHEET N°	18 OF 19

EREPU03



DEEP=350 mm

- 1 MAIN SWITCH (-IG1)
- 2 RUNNING (-H19)
- 3 FAULT (-HF3)
- 4 UP (-H13 -S3)
- 5 LEFT (-H12 -S2)
- 6 RIGHT (-H11 -S1)
- 7 DOWN (-H14 -S4)
- 8 LAMP TEST (-SLT1)
- 9 BY-PASS (-SBY1 -HBY1)
- 10 MONITOR -M01.1
- 11 FULL (-H15 -S5)
- 12 SPRAY (-H16 -S6)
- 13 OPEN (-H17-S7)
- 14 CLOSED (-H18 -S8)
- 15 NOZZLE -N1
- 16 VALVE -VA1