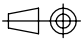


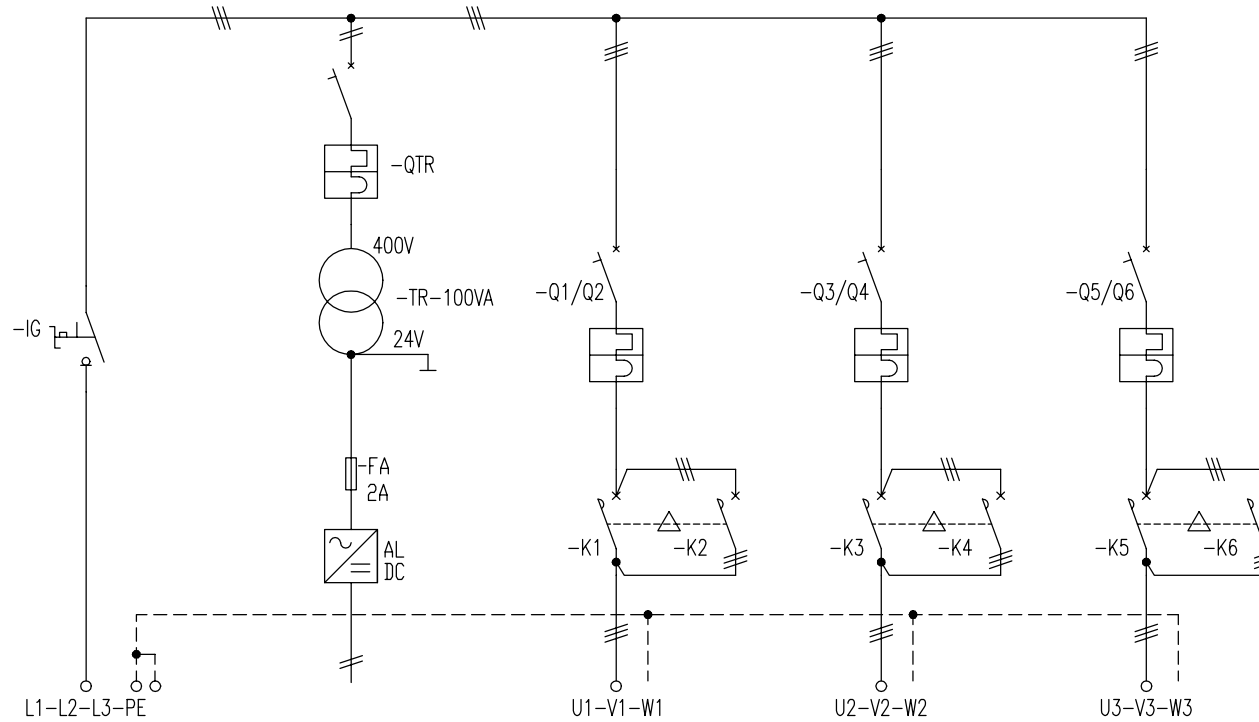
0	14.09.2001	ISSUED	An.T.	Al.T.	A.M.
Rev.	Date	Description	Drawn	Checked	Approved
CACCIALANZA & C. <small>s.p.A.</small> ANTINCENDIO SICUREZZA ANTINQUINAMENTO SEGRATE (MILAND) - ITALY		Client / Project			
		Title			
	Date	Name	PANEL 1 MONITOR (2 MOV.) AND MO VALVE EExd-IIB T3-T6 EXPANDED EXECUTION WITH REMOTE COMMAND PANEL		
Drawn	14.09.2001	An.T.			
Checked	14.09.2001	Al.T.			
Approved	14.09.2001	A.M.			
Code	Sys.	Size	Scale	Dwg nr.	Rev.
		A3	/	46404711	0
		Sheet			1
		of			18
THIS DRAWING IS THE PROPERTY OF CACCIALANZA & C. S.p.A. AND IS NOT TO BE REPRODUCED OR USED TO FURNISH ANY INFORMATION FOR MAKING OF DRAWINGS OR APPARATUS EXCEPT WHERE PROVIDED FOR BY AGREEMENT WITH SAID COMPANY					

PANEL BOARD TECHNICAL DATA

RATED SERVICE VOLTAGE:.....400V	TYPE OF SEGREGATION:.....FORM 1	TEMPERATURE:.....40°C
RATED INSULATION VOLTAGE:.....500V	INSTALLATION:.....OUTDOOR	DEGREE OF PROTECTION:..EExd-IIB T3-T6
RATED FREQUENCY:.....50Hz	COMPLIANCE WITH STANDARD:.....CEI 17/13.1	COLOR:.....ALUMINIUM
ELECTRICAL SYSTEM:.....3Ph+PE	IN/OUT CABLES:.....BOTTOM	

			DATE	14.09.2001		DWG N°	46404711
			SCALE	/			
			DRAWN	An.T.			
0	ISSUED	14.09.01	CHECKED	ALT.		PROJECT N°	
REV.	MODIFY	DATE	APPROVED	A.M.		SHEET N°	3 OF 18

POWER CIRCUIT		AUXILIARY CIRCUIT	
MIN. SECTION 2,5mmq		MIN. SECTION 1,5mmq	
CONDUCTOR		CONDUCTOR	
PHASES	BLACK	24V - C.A.	RED
NEUTRAL	LIGHT BLUE	110V - A.C	RED
GROUND	YELLOW-GREEN	220V - A.C	BLACK
		24V - D.C	BLUE
WIRE COLOUR TABLE			



USE	CIRCUIT		n?		MAIN SUPPLY		RIGHT/LEFT MONITOR MO1.1		UP/DOWN MONITOR MO1.2		VALVE -VA1	
	DESCRIPTION		Kw	A	1,45	2,9	0,45	0,9	0,45	0,9	0,45	0,9
ELECTRICAL EQUIPMENT	SWITCH	TYPE	P1-25 /Z									
		RATED CURRENT - N. POLES	A	n?	25	3						
		BREAKING CAPACITY	V	KA	400							
		SETTING CURRENT MAG. ELEMENT	A									
		SETTING CURRENT THE. ELEMENT	A									
	CON-FACTOR	TYPE	DILER40//G(24VDC)				DILER40//G(24VDC)		DILER40//G(24VDC)		DILER40//G(24VDC)	
		RATED CURRENT	A									
		UTILIZATION CATEGORY	AC-3				AC-3		AC-3		AC-3	
	THERMAL RELAY	TYPE										
		SETTING RANGE	A									
FUSEHOLDER - TYPE & CURRENT	FUSES - TYPE & SETTING CURRENT		A									
	AMMETER											
LINE	CABLE	TYPE										
		SECTION	mmq				(4G2,5)		(4G2,5)		(4G2,5)	
		LANCE	mt									
		RATED CURRENT(Iz)	A									

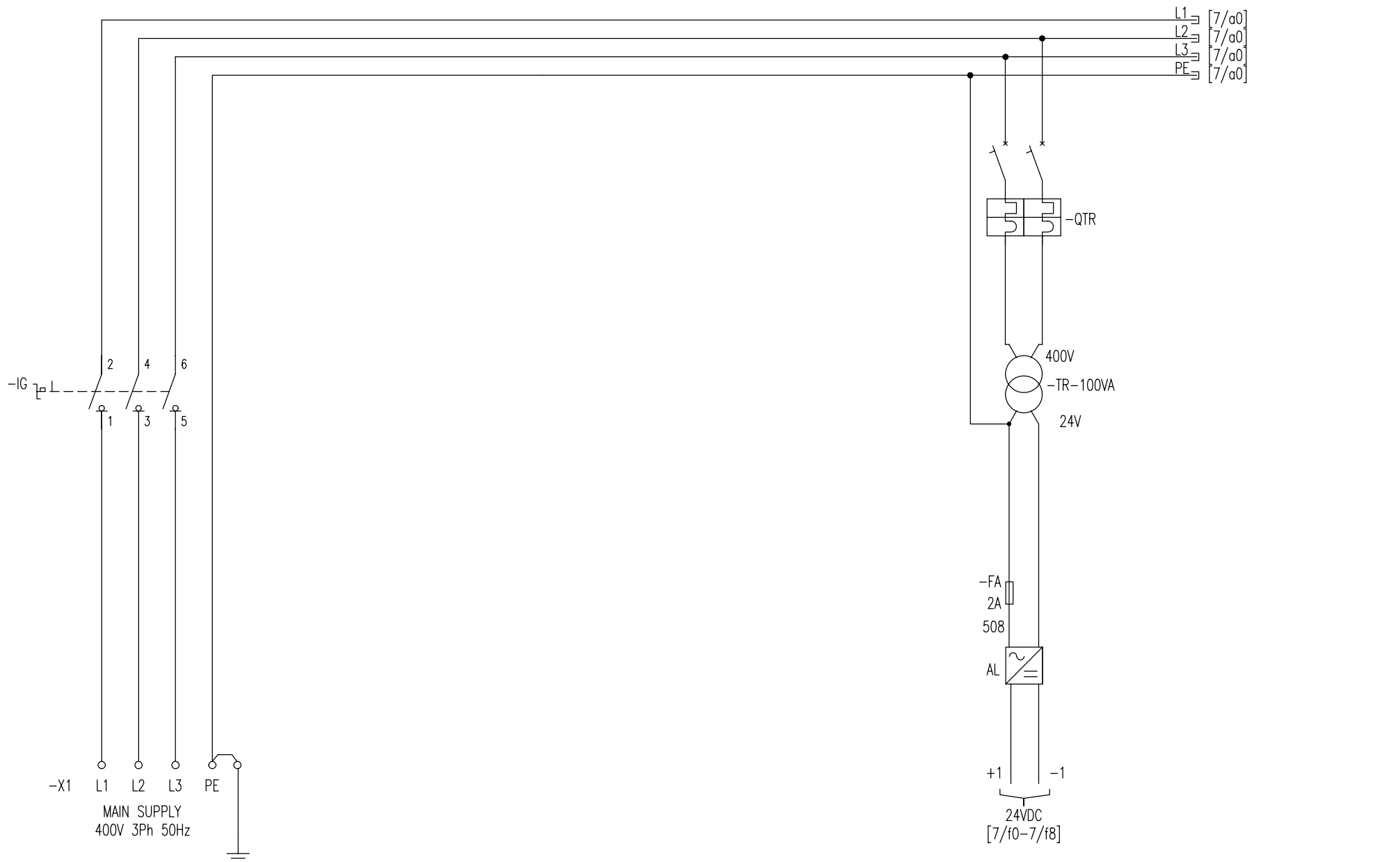
CACCIALANZA & C. s.p.a
 ANTINCENDIO SICUREZZA ANTINQUINAMENTO
 SEGRATE (MILAND) - ITALY

TITLE
MONITOR 3 MOTIONS
 TYPE A2-A4-A6-A8/EL

CLIENT

DATE	14.09.2001	DWG N°	46404711
SCALE	/	PROJECT N°	
DRAWN	An.T.	CHECKED	AL.T.
0 ISSUED	14.09.01	DATE	APPROVED A.M.
REV.	MODIFY	DATE	APPROVED A.M.

a b c d e f g h i j k m n p q r



L1 [7/a0]
L2 [7/a0]
L3 [7/a0]
PE [7/a0]

-IG L
2 4 6
1 3 5

-X1 L1 L2 L3 PE
MAIN SUPPLY
400V 3Ph 50Hz

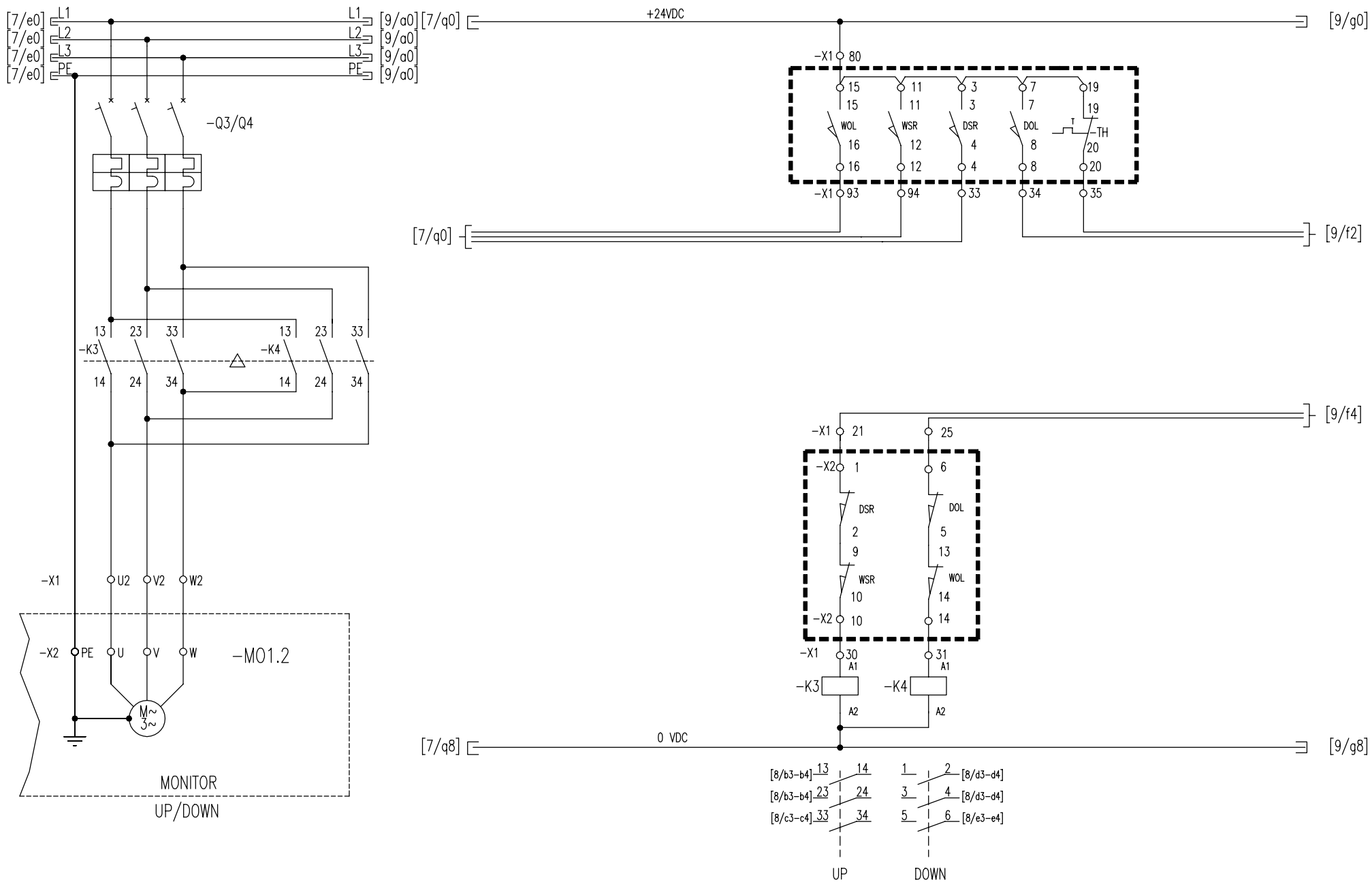
-FA
2A
508
AL
+1 -1
24VDC
[7/t0-7/t8]

CACCIALANZA & C. s.p.a.
ANTINCENDIO SICUREZZA ANTINQUINAMENTO
SEGRATE (MILANO) - ITALY

TITLE
MONITOR 3 MOTIONS
TYPE A2-A4-A6-A8/EL

CLIENT

			DATE	14.09.2001	DWG N°	46404711
			SCALE	/	PROJECT N°	
			DRAWN	An.T.		
0	ISSUED	14.09.01	CHECKED	AL.T.		
REV.	MODIFY	DATE	APPROVED	A.M.	SHEET N°	6 OF 18



CACCIALANZA & C. s.p.a.
 ANTINCENDIO SICUREZZA ANTINQUINAMENTO
 SEGRATE (MILANO) - ITALY

TITLE
MONITOR 3 MOTIONS
 TYPE A2-A4-A6-A8/EL

CLIENT

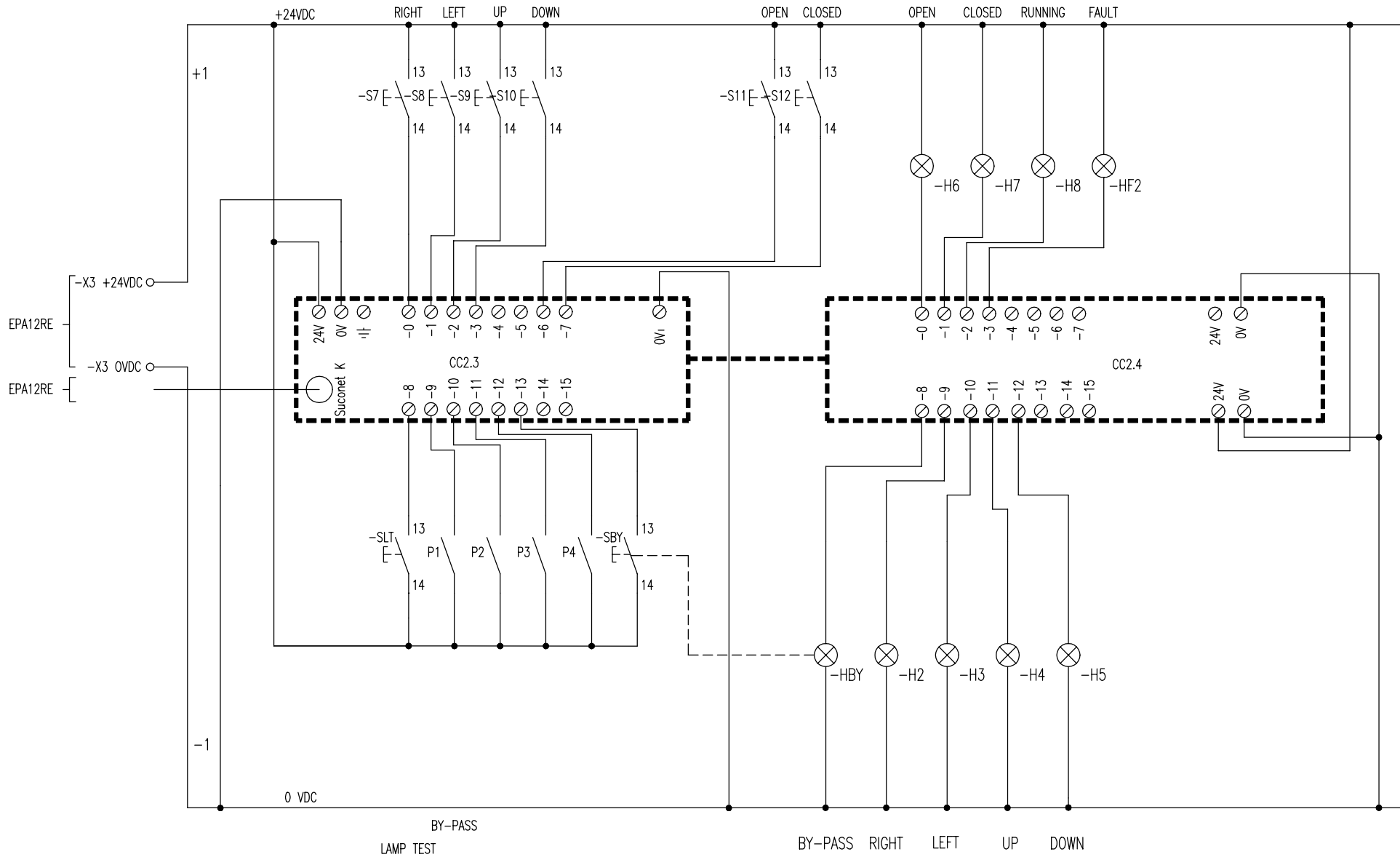
DATE	14.09.2001
SCALE	/
DRAWN	An.T.
CHECKED	AL.T.
APPROVED	A.M.

DWG N° 46404711

PROJECT N°

0	ISSUED	14.09.01	CHECKED	AL.T.
REV.	MODIFY	DATE	APPROVED	A.M.

SHEET N. 8 OF 18



CACCIALANZA & C. s.p.a.
 ANTINCENDIO SICUREZZA ANTINQUINAMENTO
 SEGRATE (MILANO) - ITALY

TITLE
 MONITOR 3 MOTIONS
 TYPE A2-A4-A6-A8/EL

CLIENT

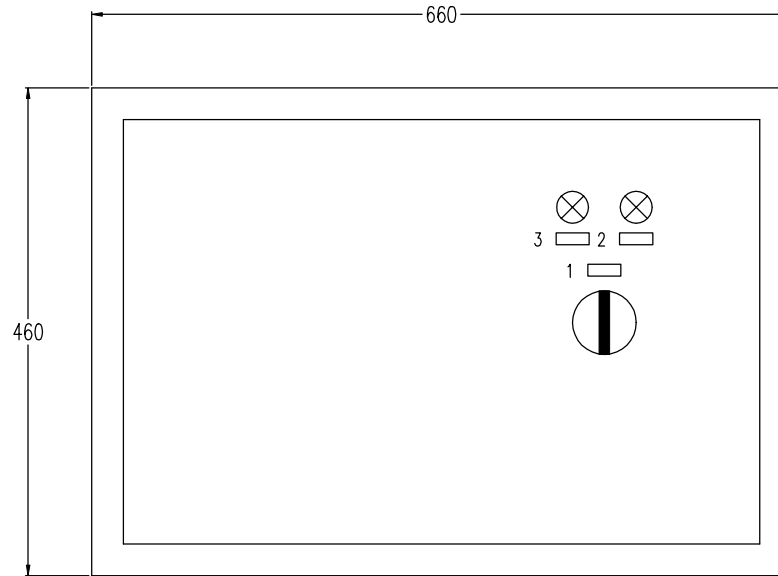
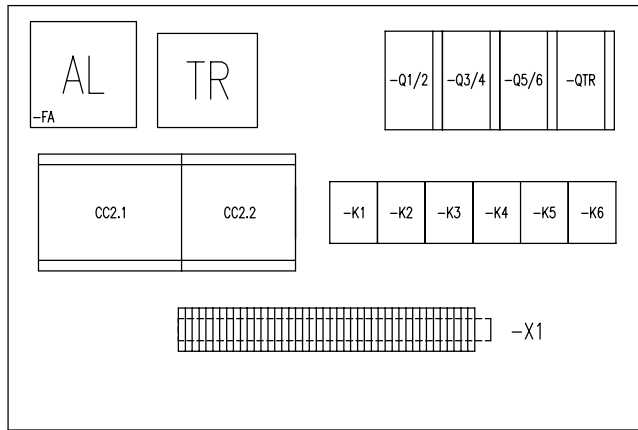
DATE	14.09.2001
SCALE	/
DRAWN	An.T.
CHECKED	ALT.
DATE	14.09.01
APPROVED	A.M.

DWG N° 46404711

PROJECT N°

SHEET N. 10 OF 18

EPA12RE



- 1 MAIN SWITCH (-IG)
- 2 RUNNING (-H1)
- 3 FAULT (-HF1)

INTERNAL LAY-OUT

DEEP=350 mm

OUTLINE DIMENSIONS

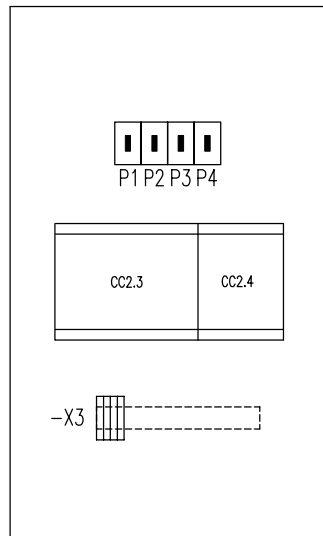
CACCIALANZA & C. s.p.a.
ANTINCENDIO SICUREZZA ANTINQUINAMENTO
SEGRATE (MILANO) - ITALY

TITLE
MONITOR 3 MOTIONS
TYPE A2-A4-A6-A8/EL

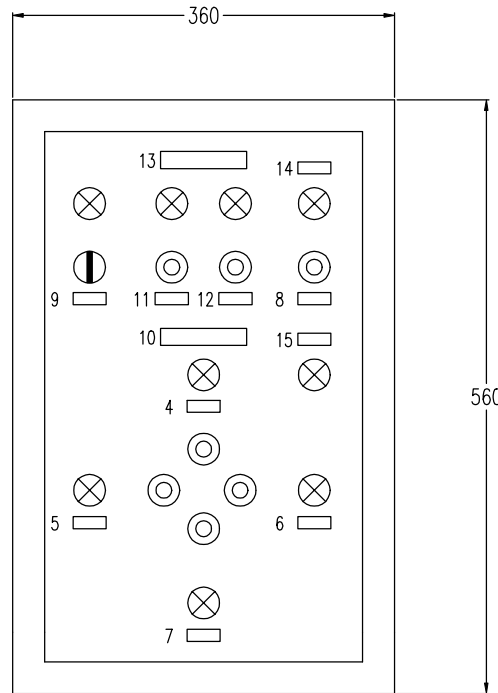
CLIENT

			DATE	14.09.2001	DWG N°	46404711
			SCALE	/	PROJECT N°	
			DRAWN	An.T.		
0	ISSUED	14.09.01	CHECKED	AL.T.		
REV.	MODIFY	DATE	APPROVED	A.M.	SHEET N°	12 OF 18

EPAR1



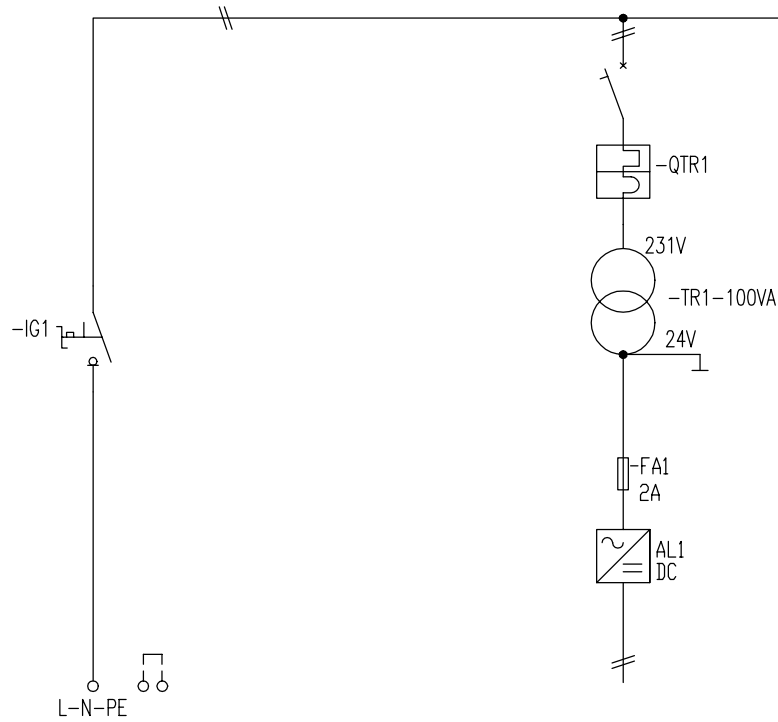
INTERNAL LAY-OUT



OUTLINE DIMENSIONS

- 4 UP (-H4 -S9)
- 5 LEFT (-H3 -S8)
- 6 RIGHT (-H2 -S7)
- 7 DOWN (-H5 -S10)
- 8 LAMP TEST (-SLT)
- 9 BY-PASS (-SBY -HBY)
- 10 MONITOR -M01.1
- 11 OPEN (-H6 -S11)
- 12 CLOSED (-H7 -S12)
- 13 VALVE -VA1
- 14 FAULT (-HF2)
- 15 RUNNING (-H8)

DEEP 260 mm



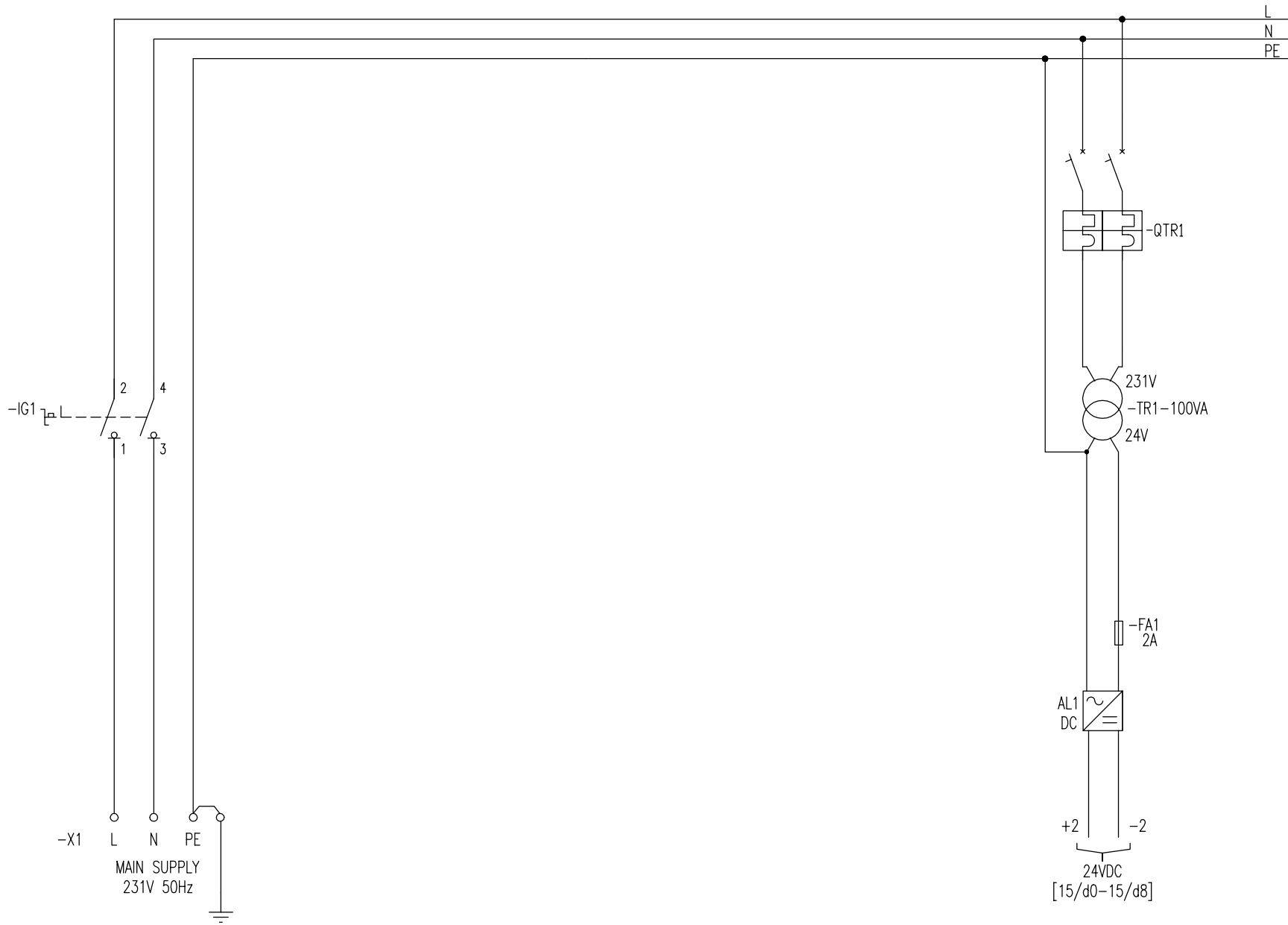
USE	CIRCUIT		n?		DESCRIPTION		MAIN FEEDER (SREPU03)													
	RATED SERVICE POWER	AND CURRENT	Kw	A	Kw	A	0,1	0,6												
ELECTRICAL EQUIPMENT	SWITCH	TYPE	P1-25/Z																	
		RATED CURRENT - N. POLES	A	n?	25	2														
		BREAKING CAPACITY	V	KA	231															
		SETTING CURRENT MAG. ELEMENT	A																	
		SETTING CURRENT THE. ELEMENT	A																	
	CON-FACTOR	TYPE																		
		RATED CURRENT	A																	
		UTILIZATION CATEGORY																		
	THERMAL RELAY	TYPE																		
		SETTING RANGE	A																	
FUSEHOLDER	SETTING CURRENT	A																		
	FUSEHOLDER - TYPE & CURRENT	A																		
FUSES	FUSES - TYPE & SETTING CURRENT	A																		
	AMMETER																			
LINE	CABLE	TYPE																		
		SECTION	mmq																	
		LANCE	mt																	
		RATED CURRENT(Iz)																		

CACCIALANZA & C. s.p.a
 ANTINCENDIO SICUREZZA ANTINQUINAMENTO
 SEGRATE (MILANO) - ITALY

TITLE
MONITOR 3 MOTIONS
 TYPE A2-A4-A6-A8/EL

CLIENT

DATE	14.09.2001	DWG N°	46404711
SCALE	/	PROJECT N°	
DRAWN	An.T.		
0 ISSUED	14.09.01	CHECKED	AL.T.
REV.	MODIFY	DATE	APPROVED A.M.
		SHEET N°	14 OF 18

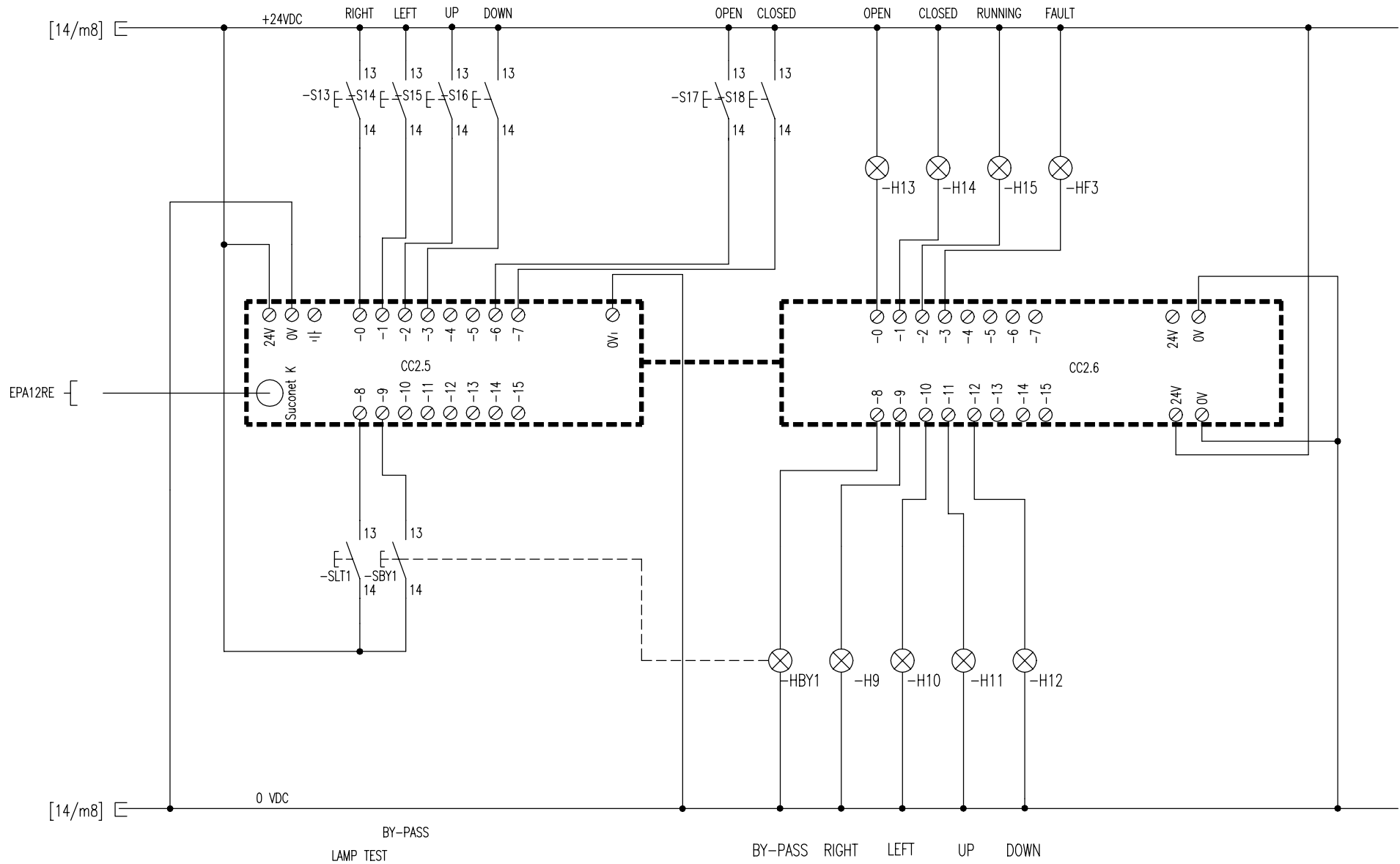


CACCIALANZA & C. s.p.a.
 ANTINCENDIO SICUREZZA ANTINQUINAMENTO
 SEGRATE (MILANO) - ITALY

TITLE
 MONITOR 3 MOTIONS
 TYPE A2-A4-A6-A8/EL

CLIENT

			DATE	14.09.2001	DWG N°	46404711
			SCALE	/	PROJECT N°	
			DRAWN	An.T.		
0	ISSUED	14.09.01	CHECKED	AL.T.		
REV.	MODIFY	DATE	APPROVED	A.M.	SHEET N°	15 OF 18

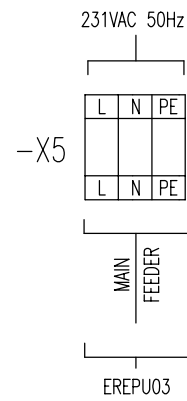


CACCIALANZA & C. s.p.a.
 ANTINCENDIO SICUREZZA ANTINQUINAMENTO
 SEGRATE (MILANO) - ITALY

TITLE
 MONITOR 3 MOTIONS
 TYPE A2-A4-A6-A8/EL

CLIENT

		DATE	14.09.2001	DWG N°	46404711
		SCALE	/	PROJECT N°	
		DRAWN	An.T.		
0	ISSUED	14.09.01	CHECKED	ALT.	
REV.	MODIFY	DATE	APPROVED	A.M.	SHEET N. 16 OF 18



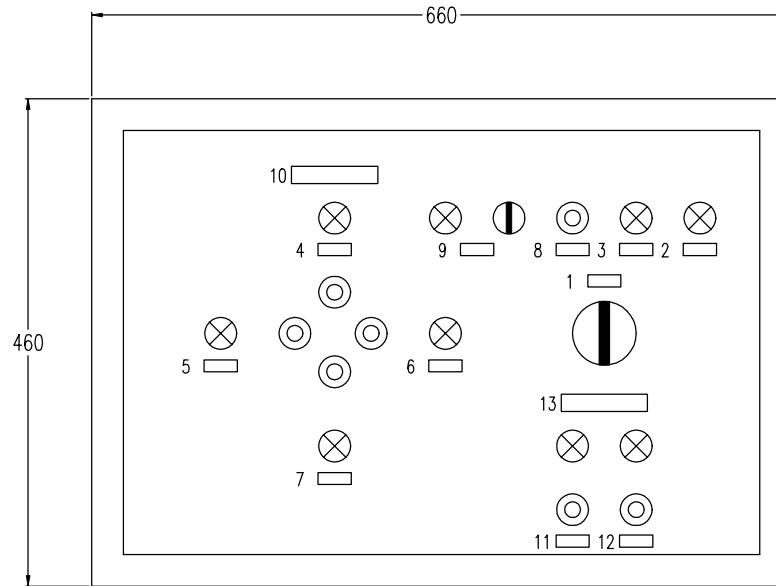
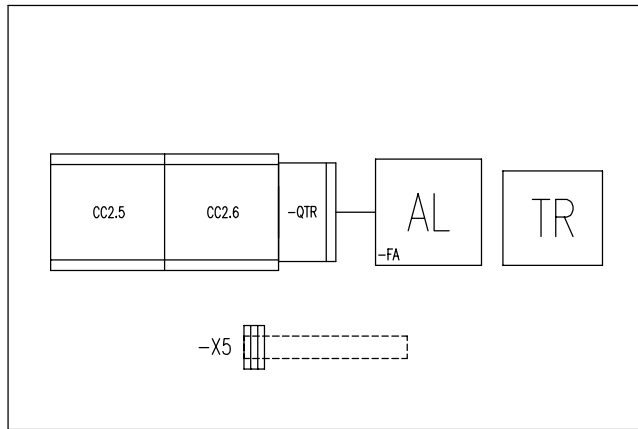
CACCIALANZA & C. s.p.a.
 ANTINCENDIO SICUREZZA ANTINQUINAMENTO
 SEGRATE (MILANO) - ITALY

TITLE
MONITOR 3 MOTIONS
 TYPE A2-A4-A6-A8/EL

CLIENT

			DATE	14.09.2001	DWG N°	46404711
			SCALE	/		
			DRAWN	An.T.	PROJECT N°	
0	ISSUED	14.09.01	CHECKED	Al.T.		
REV.	MODIFY	DATE	APPROVED	A.M.	SHEET N°	17 OF 18

EREPU03



- 1 MAIN SWITCH (-IG1)
- 2 RUNNING (-H15)
- 3 FAULT (-HF3)
- 4 UP (-H11 -S15)
- 5 LEFT (-H10 -S14)
- 6 RIGHT (-H9 -S13)
- 7 DOWN (-H12 -S16)
- 8 LAMP TEST (-SLT1)
- 9 BY-PASS (-SBY1 -HBY1)
- 10 MONITOR -M01.1
- 11 OPEN (-H13 -S17)
- 12 CLOSED (-H14 -S18)
- 13 VALVE -VA1

INTERNAL LAY-OUT

DEEP=350 mm

OUTLINE DIMENSIONS

CACCIALANZA & C. s.p.a.
ANTINCENDIO SICUREZZA ANTINQUINAMENTO
SEGRATE (MILANO) - ITALY

TITLE
MONITOR 3 MOTIONS
TYPE A2-A4-A6-A8/EL

CLIENT

			DATE	14.09.2001	DWG N°	46404711
			SCALE	/	PROJECT N°	
			DRAWN	An.T.		
0	ISSUED	14.09.01	CHECKED	ALT.		
REV.	MODIFY	DATE	APPROVED	A.M.	SHEET N°	18 OF 18