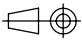


0	14.09.2001	ISSUED	An.T.	Al.T.	A.M.
Rev.	Date	Description	Drawn	Checked	Approved
CACCIALANZA & C. <small>s.p.A.</small> ANTINCENDIO SICUREZZA ANTINQUINAMENTO SEGRATE (MILAND) - ITALY		Client / Project			
		Title			
	Date	Name	PANEL 1 MONITOR (2 MOV.) EExd-IIB T3-T6 EXPANDED EXECUTION WITH SEPARATE COMMAND BOX AND REMOTE COMMAND PANEL		
Drawn	14.09.2001	An.T.			
Checked	14.09.2001	Al.T.			
Approved	14.09.2001	A.M.			
Code	Sys.	Size	Scale	Dwg nr.	Rev.
		A3	/	46404701	0
					Sheet 1
					of 18
THIS DRAWING IS THE PROPERTY OF CACCIALANZA & C. S.p.A. AND IS NOT TO BE REPRODUCED OR USED TO FURNISH ANY INFORMATION FOR MAKING OF DRAWINGS OR APPARATUS EXCEPT WHERE PROVIDED FOR BY AGREEMENT WITH SAID COMPANY					

a	b	c	d	e	f	g	h	i	j	k	m	n	p	q	r							
SHEET	DESCRIPTION					MODIFY					SHEET	DESCRIPTION					MODIFY					0
						A	B	C	D	E							F	G	H	I	A	
1	COVER					0										29						
2	MODYFY TABLE					0										30						
3	TECHNICAL DATA					0										31						
4	WIRE COLOUR TABLE					0										32						
5	POWER WIRING SPA01RE					0										33						
6	MAIN SUPPLY SPA01RE					0										34						
7	-M01.1 WIRING RIGHT/LEFT					0										35						
8	-M01.2 WIRING UP/DOWN					0										36						
9	SWITCES AND LAMPS WIRING					0										37						
10	EPAR1 WIRING					0										38						
11	EPA12RE-EPAR1 TERMINAL CONNECTIONS					0										39						
12	EPA12RE LAY OUT AND FRONT PANEL					0										40						
13	EPAR1 LAY OUT AND FRONT PANEL					0										41						
14	POWER WIRING EREPU03					0										42						
15	MAIN SUPPLY EREPU03					0										43						
16	EREPU03WIRING					0										44						
17	EREPU03 TERMINAL CONNECTIONS					0										45						
18	EREPU03 LAY OUT AND FRONT PANEL					0										46						
19																47						
20																48						
21																49						
22																50						
23																51						
24																52						
25																53						
26																54						
27																55						
28																56						

CACCIALANZA & C. s.p.a
ANTINCENDIO SICUREZZA ANTINQUINAMENTO
SEGRATE (MILANO) - ITALY

TITLE
MONITOR 2 MOTIONS
TYPE A2-A4-A6-A8/EL

CLIENT

DATE	14.09.2001	DWG N°	46404701		
SCALE	/	PROJECT N°			
DRAWN	An.T.				
0	ISSUED	14.09.01	CHECKED	AL.T.	
REV.	MODIFY	DATE	APPROVED	A.M.	SHEET N°. 2 OF 18

a b c d e f g h i j k m n p q r

0
1
2
3
4
5
6
7
8
9

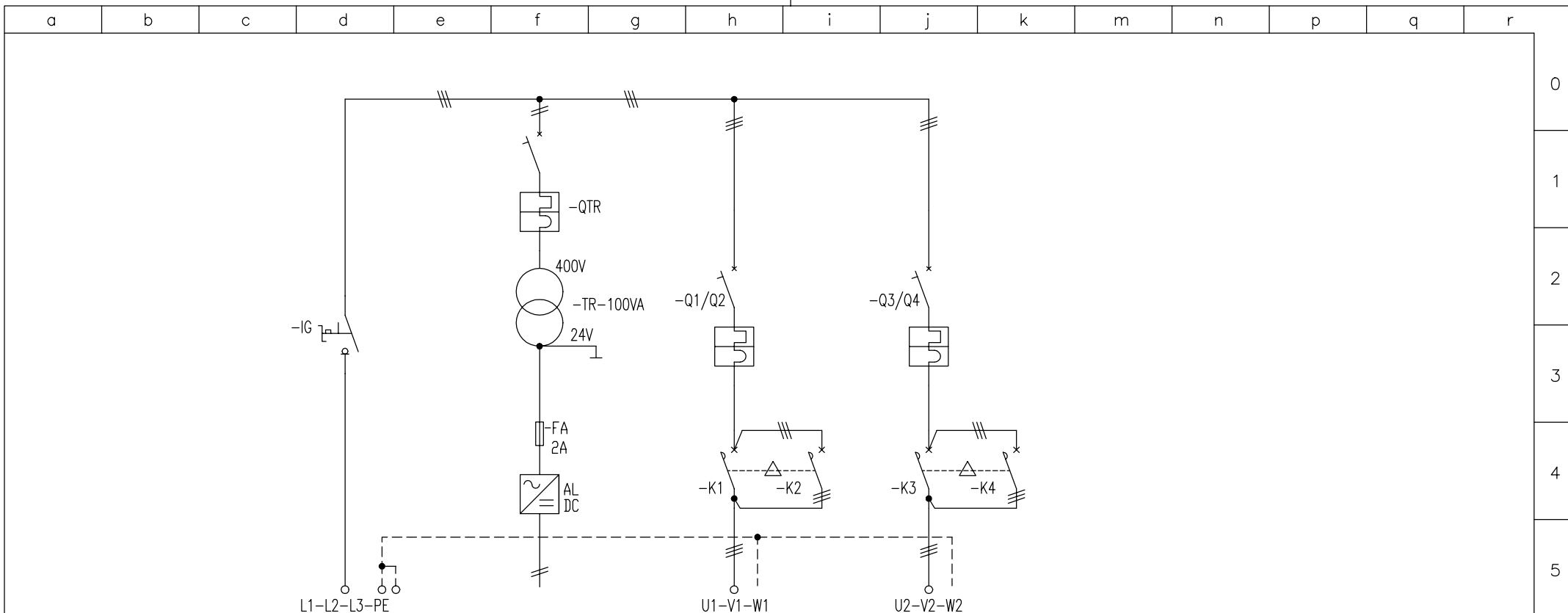
PANEL BOARD TECHNICAL DATA		
RATED SERVICE VOLTAGE:.....400V	TYPE OF SEGREGATION:.....FORM 1	TEMPERATURE:.....40°C
RATED INSULATION VOLTAGE:.....500V	INSTALLATION:.....OUTDOOR	DEGREE OF PROTECTION:EEXd-IIIB T3-T6
RATED FREQUENCY:.....50Hz	COMPLIANCE WITH STANDARD:.....CEI 17/13.1	COLOR:.....ALUMINIUM
ELECTRICAL SYSTEM:.....3Ph+PE	IN/OUT CABLES:.....BOTTOM	

CACCIALANZA & C. s.p.a ANTINCENDIO SICUREZZA ANTINQUINAMENTO SEGRATE (MILANO) - ITALY	TITLE MONITOR 2 MOTIONS TYPE A2-A4-A6-A8/EL	CLIENT	DATE 14.09.2001	DWG N° 46404701
			SCALE /	PROJECT N°
			DRAWN An.T.	
			0 ISSUED 14.09.01	CHECKED AL.T.
REV.	MODIFY	DATE	APPROVED A.M.	SHEET N° 3 OF 18

a b c d e f g h i j k m n p q r

0
1
2
3
4
5
6
7
8
9

POWER CIRCUIT		AUXILIARY CIRCUIT	
MIN. SECTION 2,5mmq		MIN. SECTION 1,5mmq	
CONDUCTOR		CONDUCTOR	
PHASES	BLACK	24V - C.A.	RED
NEUTRAL	LIGHT BLUE	110V - A.C	RED
GROUND	YELLOW-GREEN	220V - A.C	BLACK
		24V - D.C	BLUE
WIRE COLOUR TABLE			



USE	CIRCUIT		n?		MAIN SUPPLY		RIGHT/LEFT MONITOR MO1.1		UP/DOWN MONITOR MO1.2	
	DESCRIPTION		Kw	A	1	2	0,45	0,9	0,45	0,9
ELECTRICAL EQUIPMENT	SWITCH	TYPE			P1-25 /Z					
		RATED CURRENT - N. POLES	A	n?	25	3				
		BREAKING CAPACITY	V	KA	400					
		SETTING CURRENT MAG. ELEMENT			A					
		SETTING CURRENT THE. ELEMENT			A					
	SETTING CURRENT Id			A						
	CON-FACTOR	TYPE					DILER40//G(24VDC)		DILER40/G(24VDC)	
		RATED CURRENT			A					
		UTILIZATION CATEGORY								
	THERMAL RELAY	TYPE					AC-3		AC-3	
SETTING RANGE				A						
	SETTING CURRENT			A						
	FUSEHOLDER - TYPE & CURRENT			A						
	FUSES - TYPE & SETTING CURRENT			A						
	AMMETER									
	VOLTMETER									
LINE	CABLE	TYPE								
		SECTION			mmq		(4G2,5)		(4G2,5)	
		LANCE			mt					
		RATED CURRENT(Iz)			A					

CACCIALANZA & C. s.p.a
 ANTINCENDIO SICUREZZA ANTINQUINAMENTO
 SEGRATE (MILAND) - ITALY

TITLE
MONITOR 2 MOTIONS
 TYPE A2-A4-A6-A8/EL

CLIENT

DATE	14.09.2001
SCALE	/
DRAWN	An.T.
CHECKED	AL.T.
APPROVED	A.M.

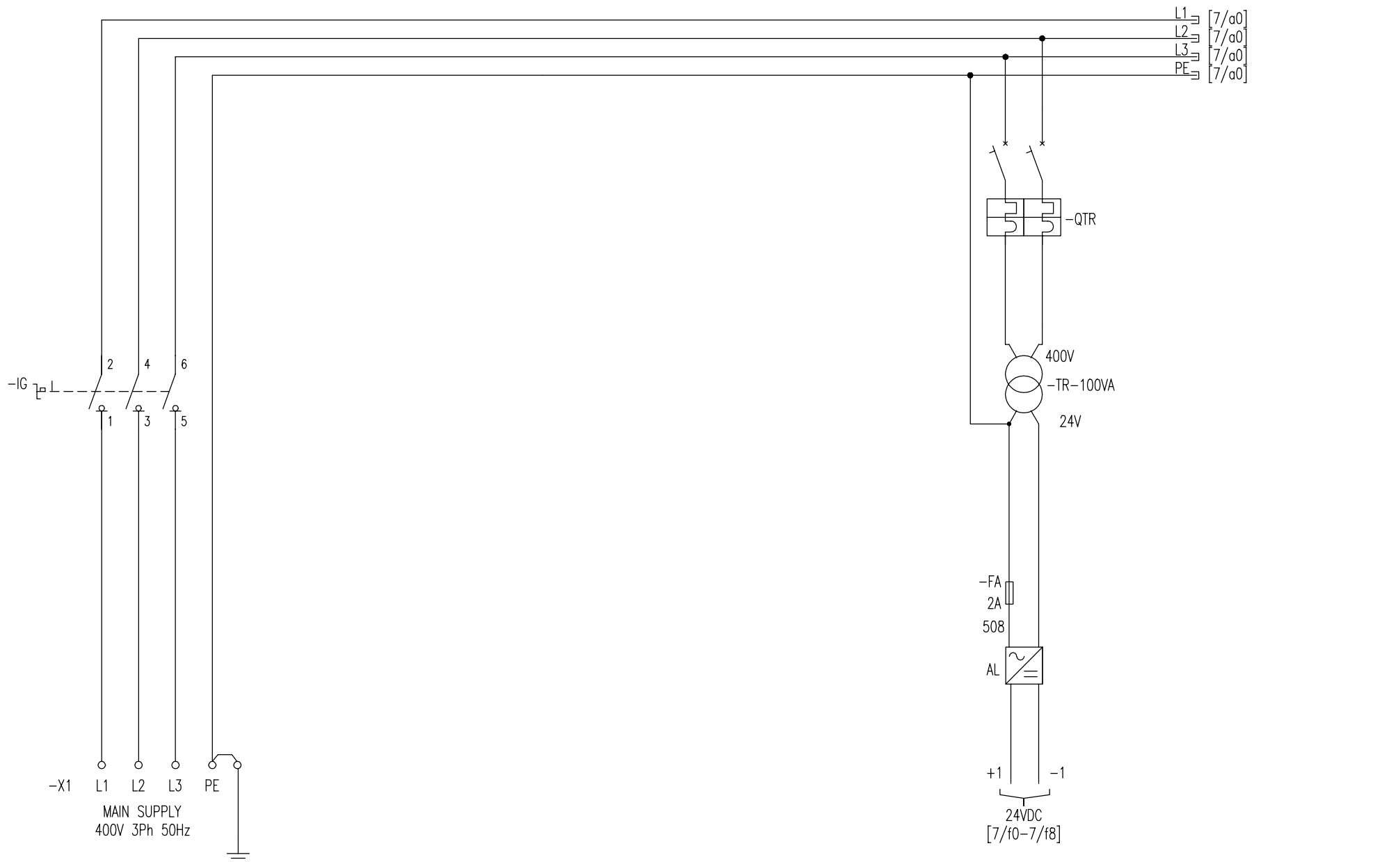
DWG N° **46404701**

PROJECT N°

SHEET N° 5 OF 18

0	ISSUED	14.09.01
REV.	MODIFY	DATE

a b c d e f g h i j k m n p q r



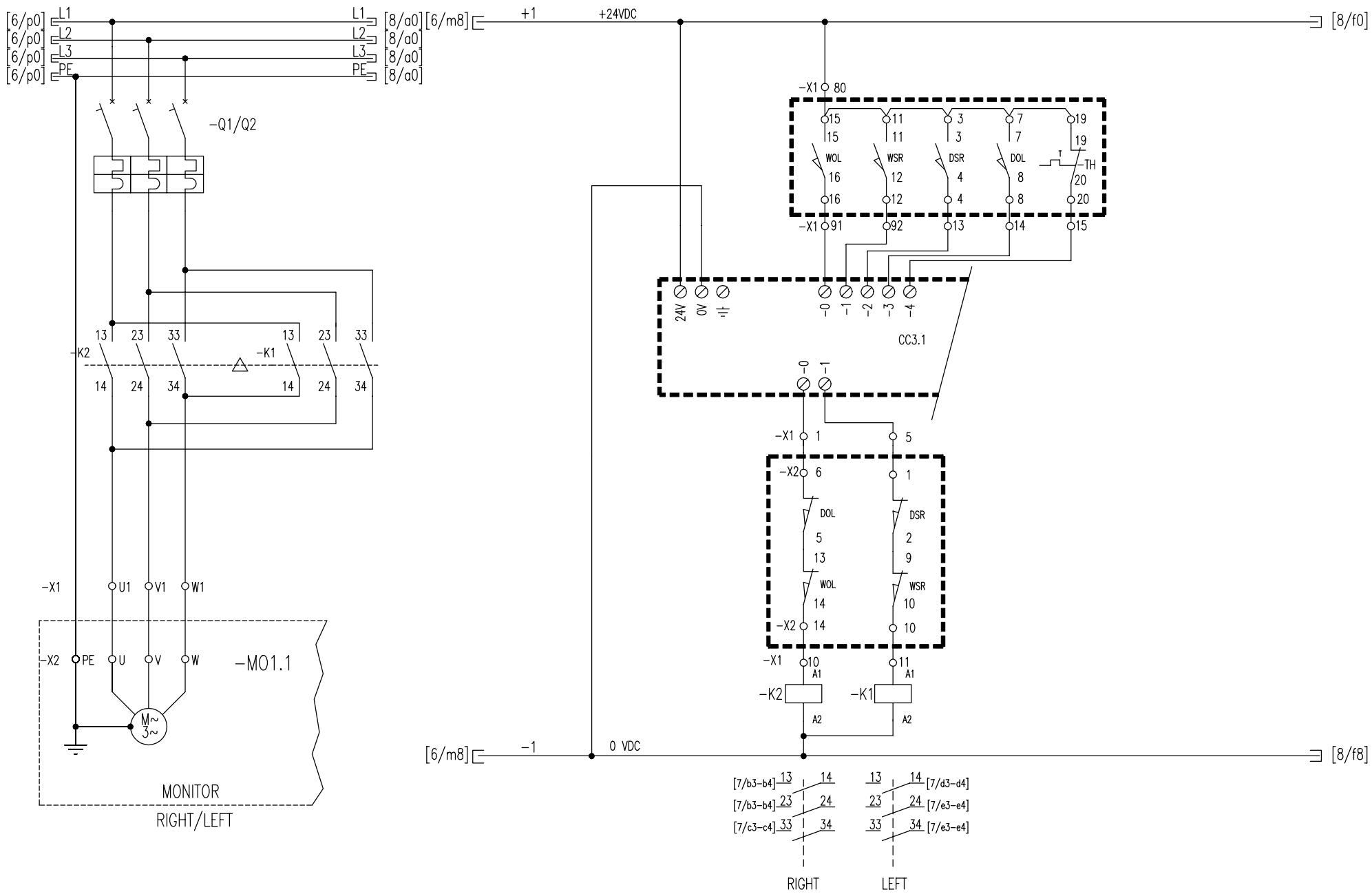
0
1
2
3
4
5
6
7
8
9

CACCIALANZA & C. s.p.a.
 ANTINCENDIO SICUREZZA ANTINQUINAMENTO
 SEGRATE (MILANO) - ITALY

TITLE
 MONITOR 2 MOTIONS
 TYPE A2-A4-A6-A8/EL

CLIENT

			DATE	14.09.2001	DWG N°	46404701
			SCALE	/	PROJECT N°	
			DRAWN	An.T.		
0	ISSUED	14.09.01	CHECKED	AL.T.		
REV.	MODIFY	DATE	APPROVED	A.M.	SHEET N°	6 OF 18



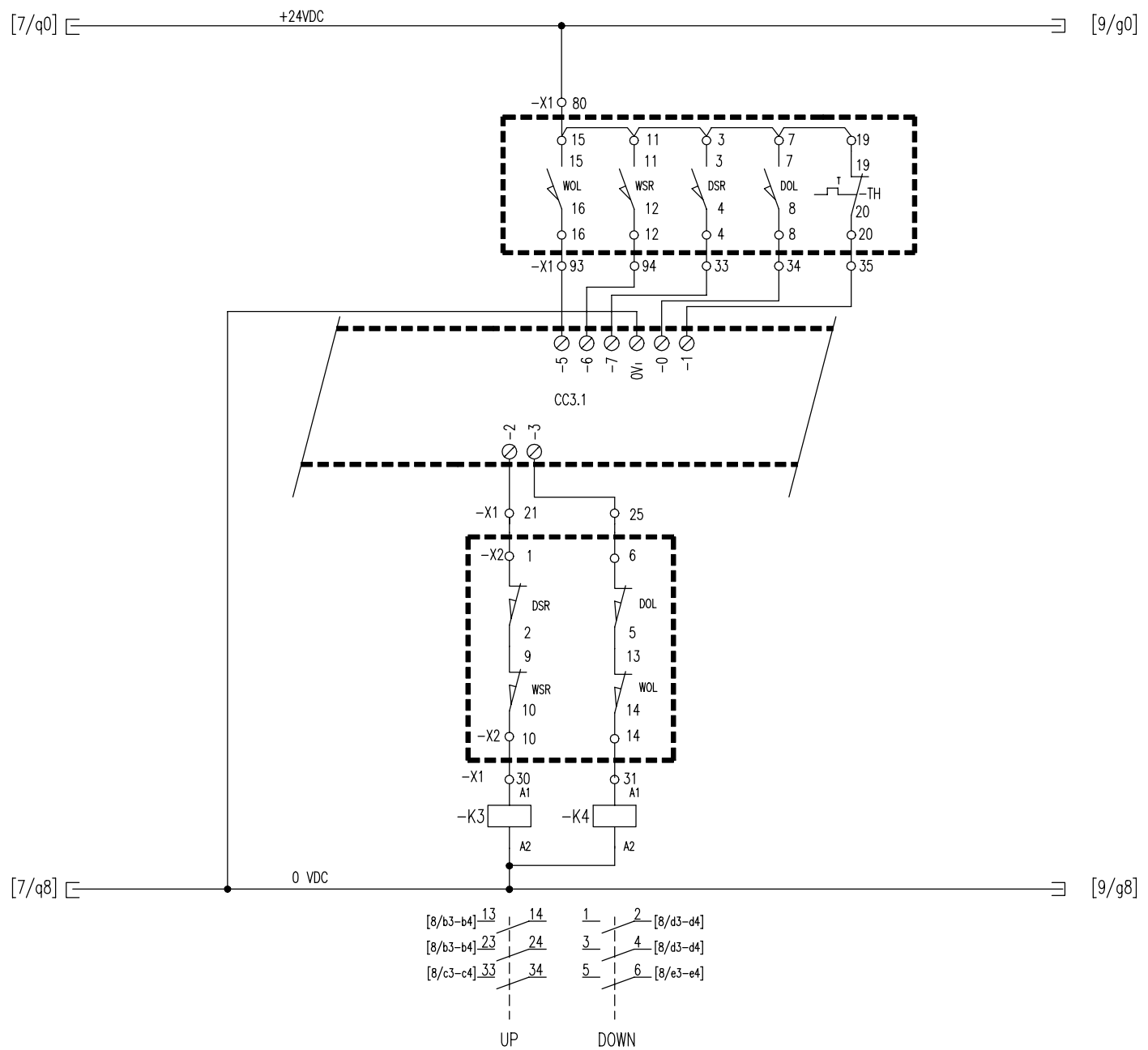
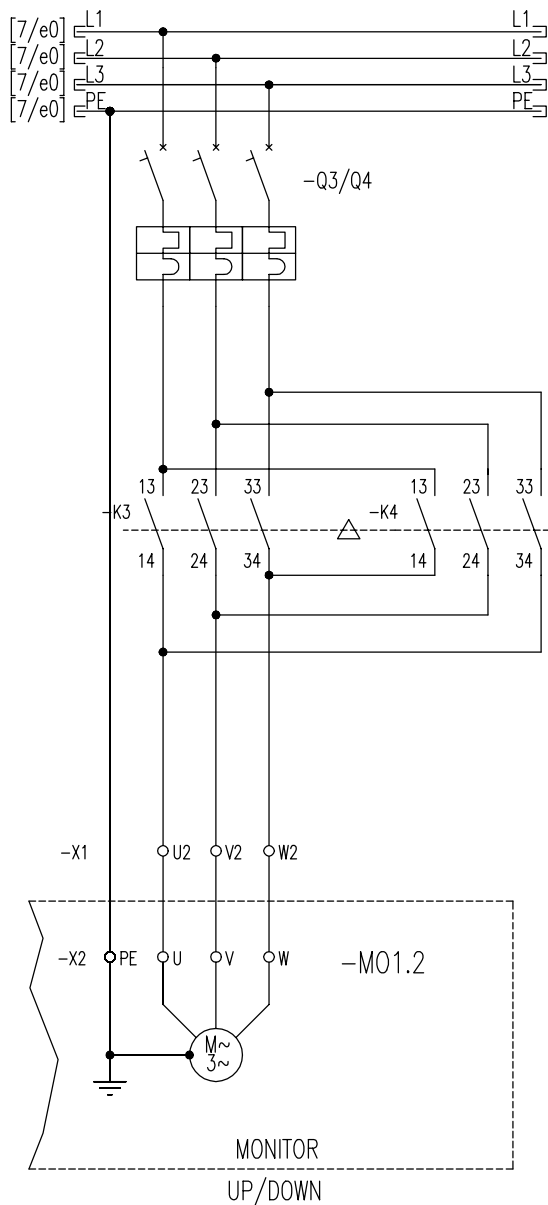
CACCIALANZA & C. s.p.a.
ANTINCENDIO SICUREZZA ANTINQUINAMENTO
SEGRATE (MILANO) - ITALY

TITLE
MONITOR 2 MOTIONS
TYPE A2-A4-A6-A8/EL

CLIENT

DATE	14.09.2001
SCALE	/
DRAWN	An.T.
0 ISSUED	14.09.01
REV.	MODIFY
DATE	APPROVED
	A.M.

DWG N° 46404701
PROJECT N°
SHEET N. 7 OF 18



CACCIALANZA & C. s.p.a.
ANTINCENDIO SICUREZZA ANTINQUINAMENTO
SEGRATE (MILANO) - ITALY

TITLE
MONITOR 2 MOTIONS
TYPE A2-A4-A6-A8/EL

CLIENT

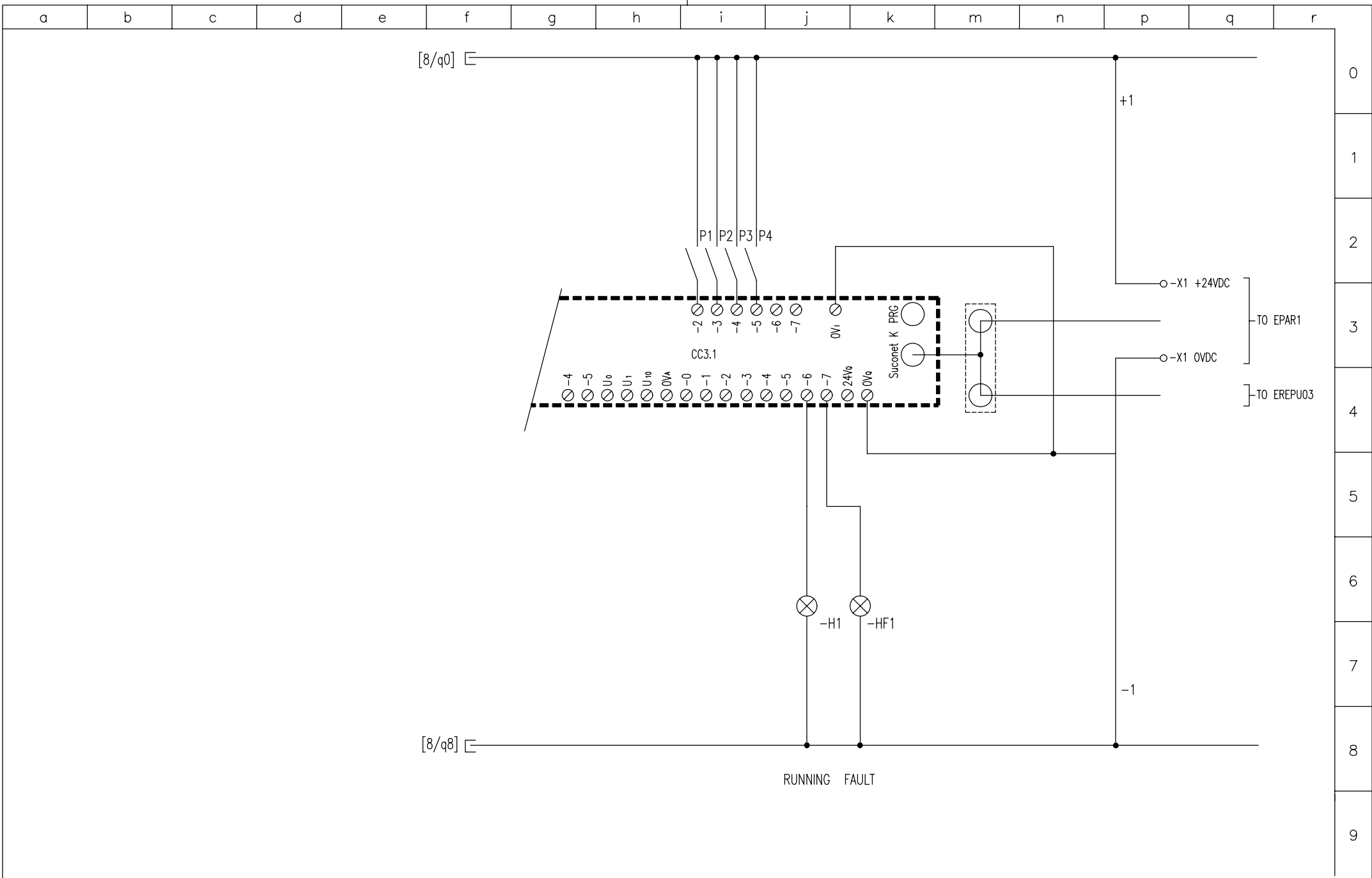
DATE	14.09.2001
SCALE	/
DRAWN	An.T.
CHECKED	AL.T.
APPROVED	A.M.

DWG N° 46404701

PROJECT N°

SHEET N. 8 OF 18

REV.	0	ISSUED	DATE	14.09.01
		MODIFY		



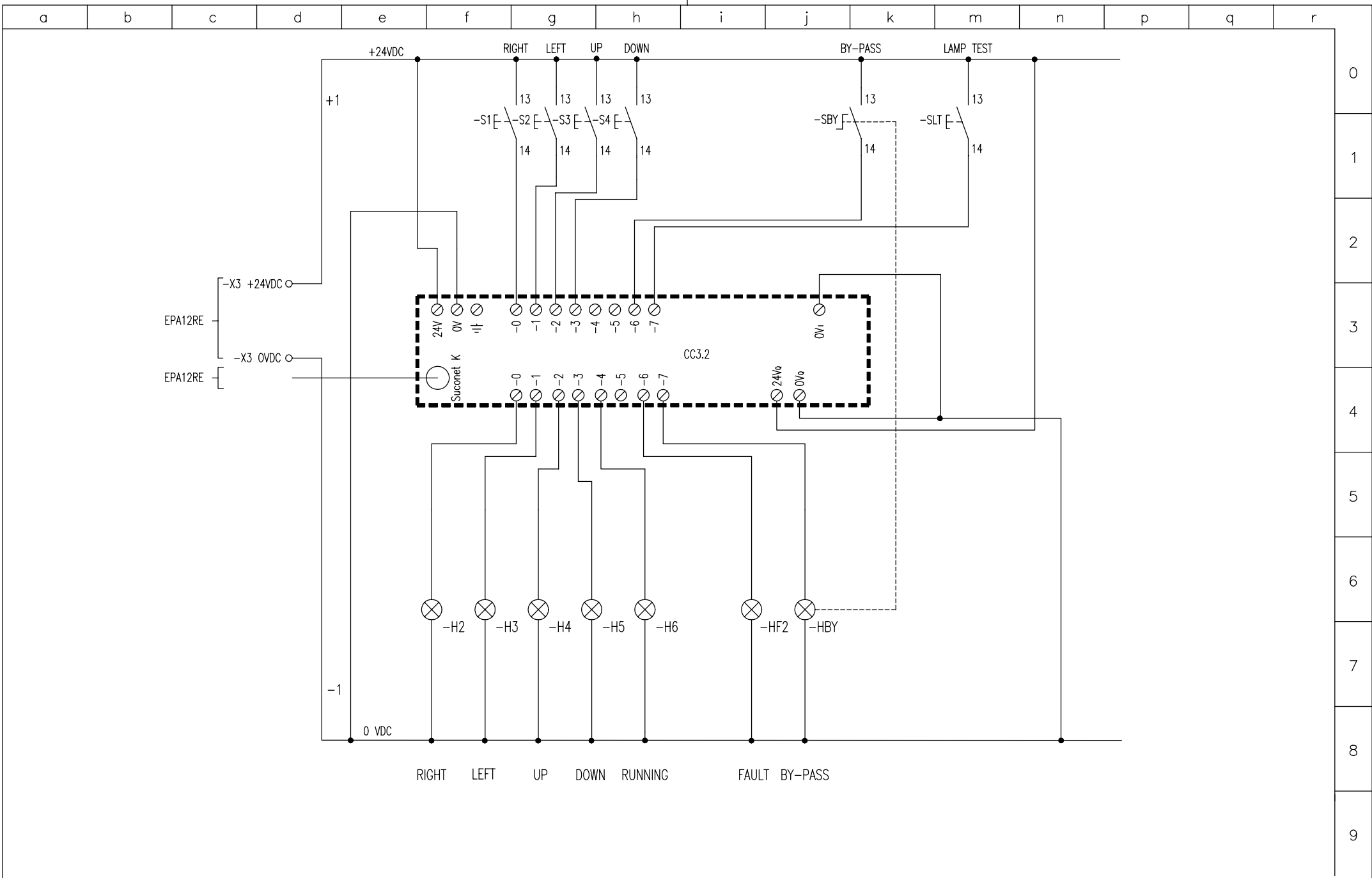
CACCIALANZA & C. s.p.a.
 ANTINCENDIO SICUREZZA ANTINQUINAMENTO
 SEGRATE (MILANO) - ITALY

TITLE
MONITOR 2 MOTIONS
 TYPE A2-A4-A6-A8/EL

CLIENT

DATE	14.09.2001
SCALE	/
DRAWN	An.T.
CHECKED	ALT.
DATE	APPROVED
REV.	MODIFY

DWG N°	46404701
PROJECT N°	
SHEET N°	9 OF 18



CACCIALANZA & C. s.p.a.
 ANTINCENDIO SICUREZZA ANTINQUINAMENTO
 SEGRATE (MILANO) - ITALY

TITLE
 MONITOR 2 MOTIONS
 TYPE A2-A4-A6-A8/EL

CLIENT

DATE	14.09.2001
SCALE	/
DRAWN	An.T.
CHECKED	AL.T.
DATE	14.09.01
APPROVED	A.M.

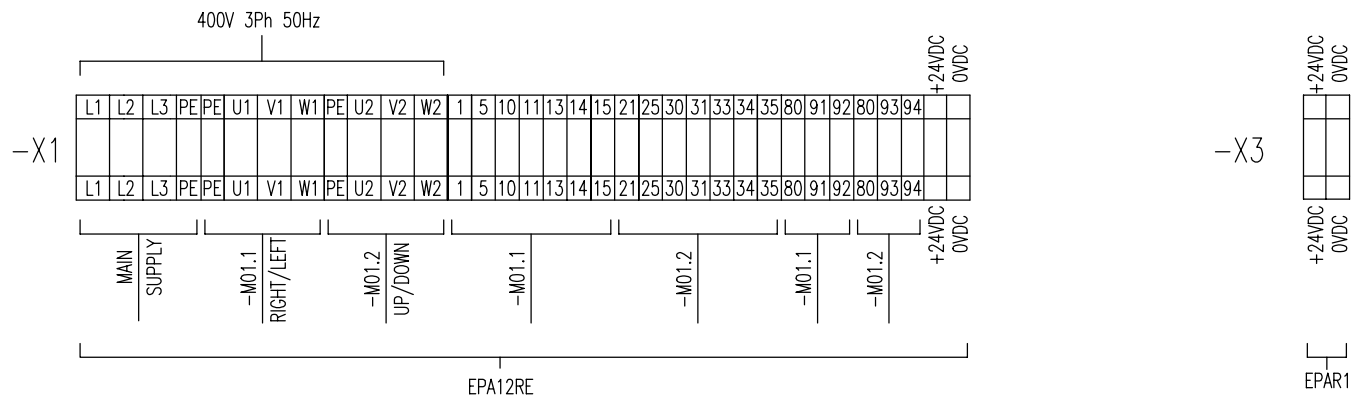
DWG N° 46404701

PROJECT N°

SHEET N° 10 OF 18

a b c d e f g h i j k m n p q r

0
1
2
3
4
5
6
7
8
9



CACCIALANZA & C. s.p.a
 ANTINCENDIO SICUREZZA ANTINQUINAMENTO
 SEGRATE (MILANO) - ITALY

TITLE
MONITOR 2 MOTIONS
 TYPE A2-A4-A6-A8/EL

CLIENT

DATE	14.09.2001
SCALE	/
DRAWN	An.T.
CHECKED	AL.T.
DATE	14.09.01
APPROVED	A.M.

DWG N° 46404701

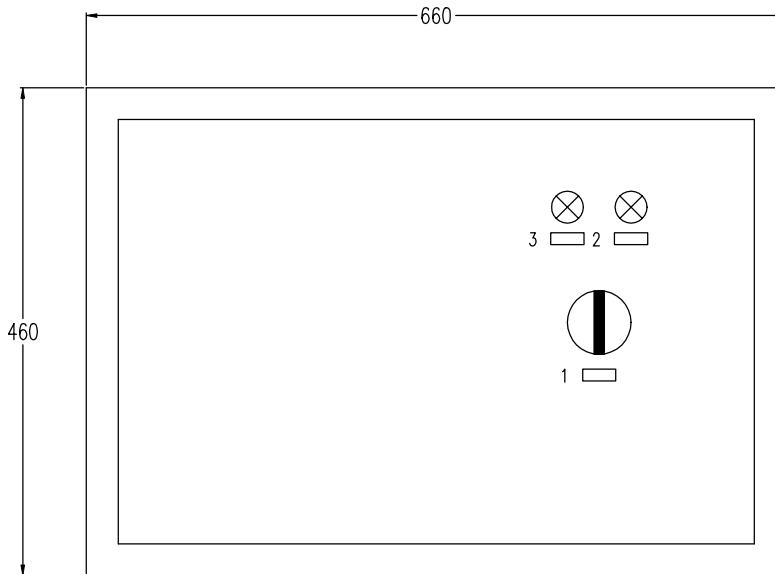
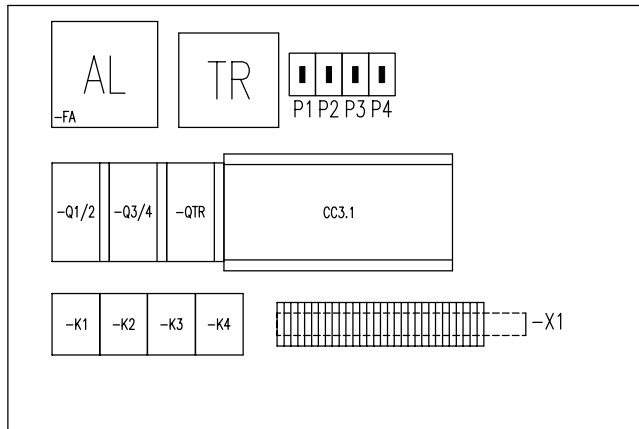
PROJECT N°

SHEET N° 11 OF 18

0	ISSUED
REV.	MODIFY

a b c d e f g h i j k m n p q r

EPA12RE



- 1 MAIN SWITCH (-IG)
- 2 RUNNING (-H1)
- 3 FAULT (-HF1)

INTERNAL LAY-OUT

DEEP=350 mm

OUTLINE DIMENSIONS

CACCIALANZA & C. s.p.a.
ANTINCENDIO SICUREZZA ANTINQUINAMENTO
SEGRATE (MILANO) - ITALY

TITLE
MONITOR 2 MOTIONS
TYPE A2-A4-A6-A8/EL

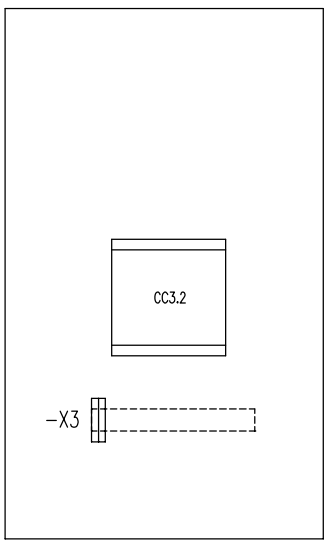
CLIENT

DATE	14.09.2001	DWG N°	46404701
SCALE	/	PROJECT N°	
DRAWN	An.T.	SHEET N°	12 OF 18
0 ISSUED	14.09.01	CHECKED	ALT.
REV.	MODIFY	DATE	APPROVED A.M.

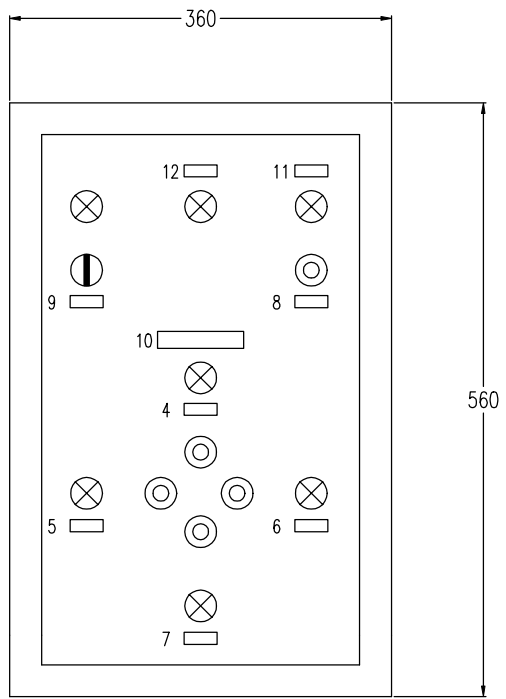
a b c d e f g h i j k m n p q r

0
1
2
3
4
5
6
7
8
9

EPAR1



INTERNAL LAY-OUT

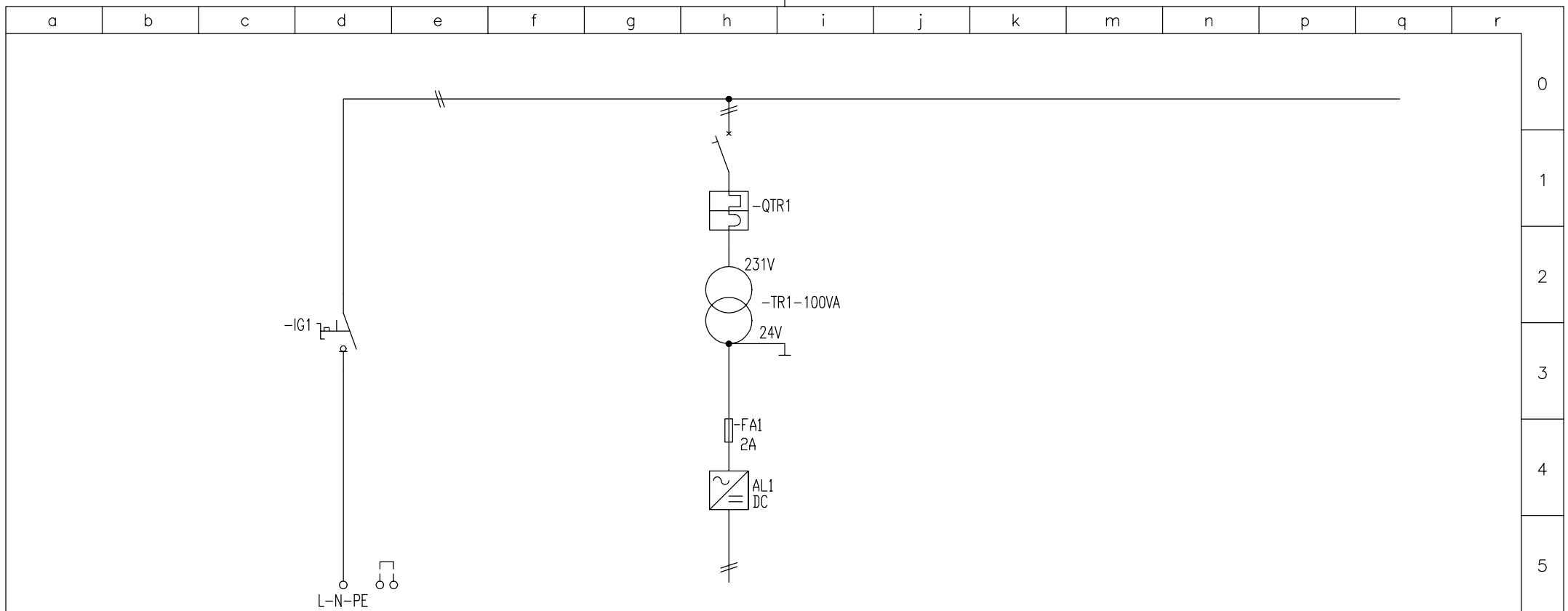


OUTLINE DIMENSIONS

- 4 UP (-H4 -S3)
- 5 LEFT (-H3 -S2)
- 6 RIGHT (-H2 -S1)
- 7 DOWN (-H5 -S4)
- 8 LAMP TEST (-SLT)
- 9 BY-PASS (-SBY -HBY)
- 10 MONITOR -M01.1
- 11 FAULT (-HF2)
- 12 RUNNING (-H6)

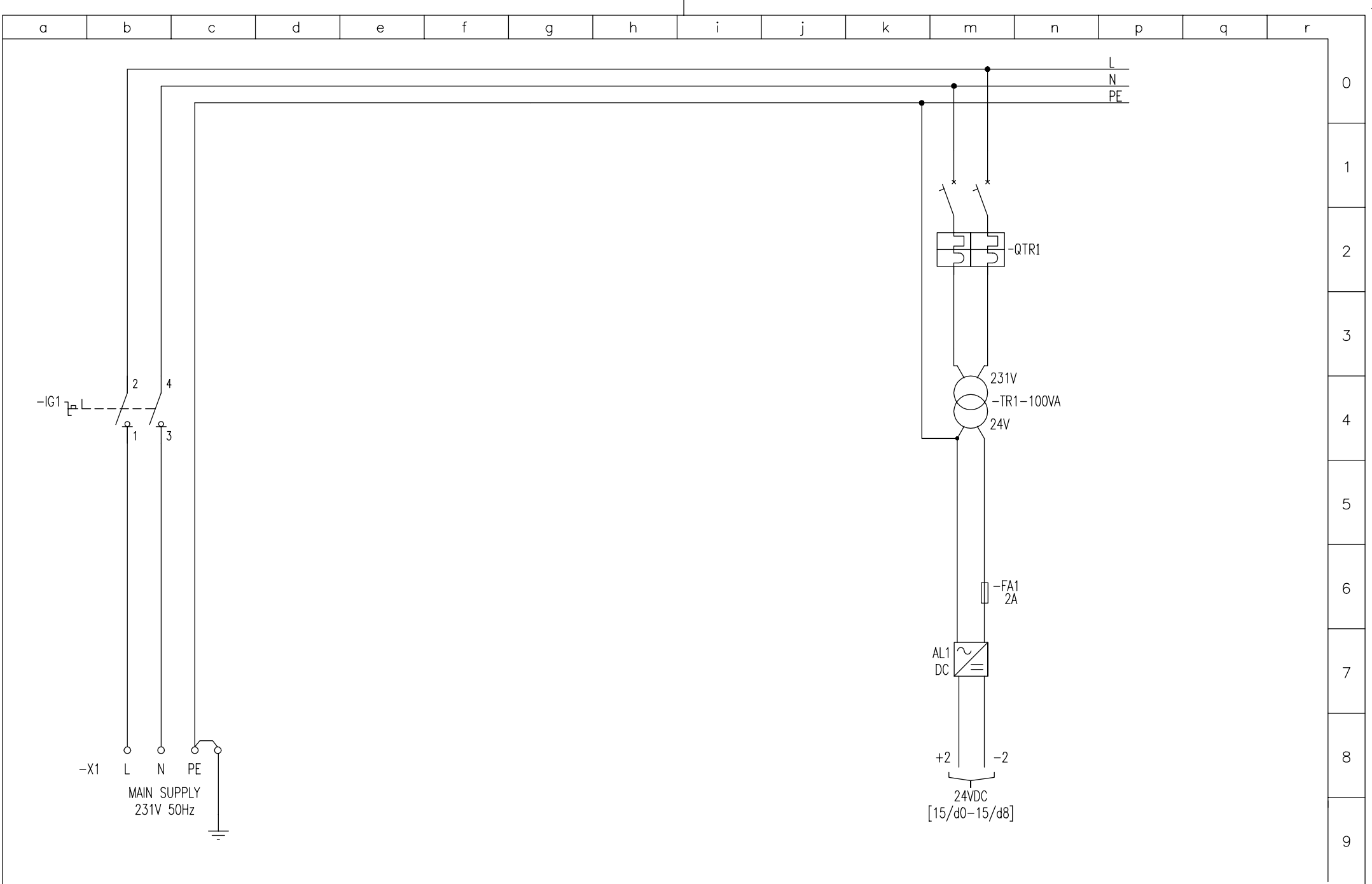
DEEP 260 mm

CACCIALANZA & C. s.p.a. ANTINCENDIO SICUREZZA ANTINQUINAMENTO SEGRATE (MILANO) - ITALY	TITLE MONITOR 2 MOTIONS TYPE A2-A4-A6-A8/EL		CLIENT		DATE 14.09.2001	DWG N° 46404701
					SCALE /	PROJECT N°
					DRAWN An.T.	SHEET N° 13 OF 18
	0 ISSUED	14.09.01	CHECKED	AL.T.	APPROVED	A.M.
REV.	MODIFY	DATE	APPROVED	A.M.		



USE	CIRCUIT		n?		MAIN FEEDER (SREPU03)															
	DESCRIPTION		Kw	A	0,1	0,6														
ELECTRICAL EQUIPMENT	SWITCH	TYPE	P1-25/Z																	
		RATED CURRENT - N. POLES	A	n?	25	2														
		BREAKING CAPACITY	V	KA	231															
		SETTING CURRENT MAG. ELEMENT	A																	
		SETTING CURRENT THE. ELEMENT	A																	
	CON-FACTOR	SETTING CURRENT Id	A																	
		TYPE																		
		RATED CURRENT	A																	
		UTILIZATION CATEGORY																		
		TYPE																		
THERMAL RELAY	SETTING RANGE	A																		
	SETTING CURRENT	A																		
	FUSEHOLDER - TYPE & CURRENT	A																		
FUSES - TYPE & SETTING CURRENT	A																			
AMMETER																				
VOLTMETER																				
LINE	CABLE	TYPE																		
		SECTION	mmq																	
		LANCE	mt																	

CACCIALANZA & C. s.p.a ANTINCENDIO SICUREZZA ANTINQUINAMENTO SEGRATE (MILANO) - ITALY	TITLE MONITOR 2 MOTIONS TYPE A2-A4-A6-A8/EL	CLIENT	DATE	14.09.2001	DWG N° 46404701
			SCALE	/	
			DRAWN	An.T.	PROJECT N°
			0 ISSUED	14.09.01	
REV.	MODIFY	DATE	APPROVED	A.M.	SHEET N° 14 OF 18

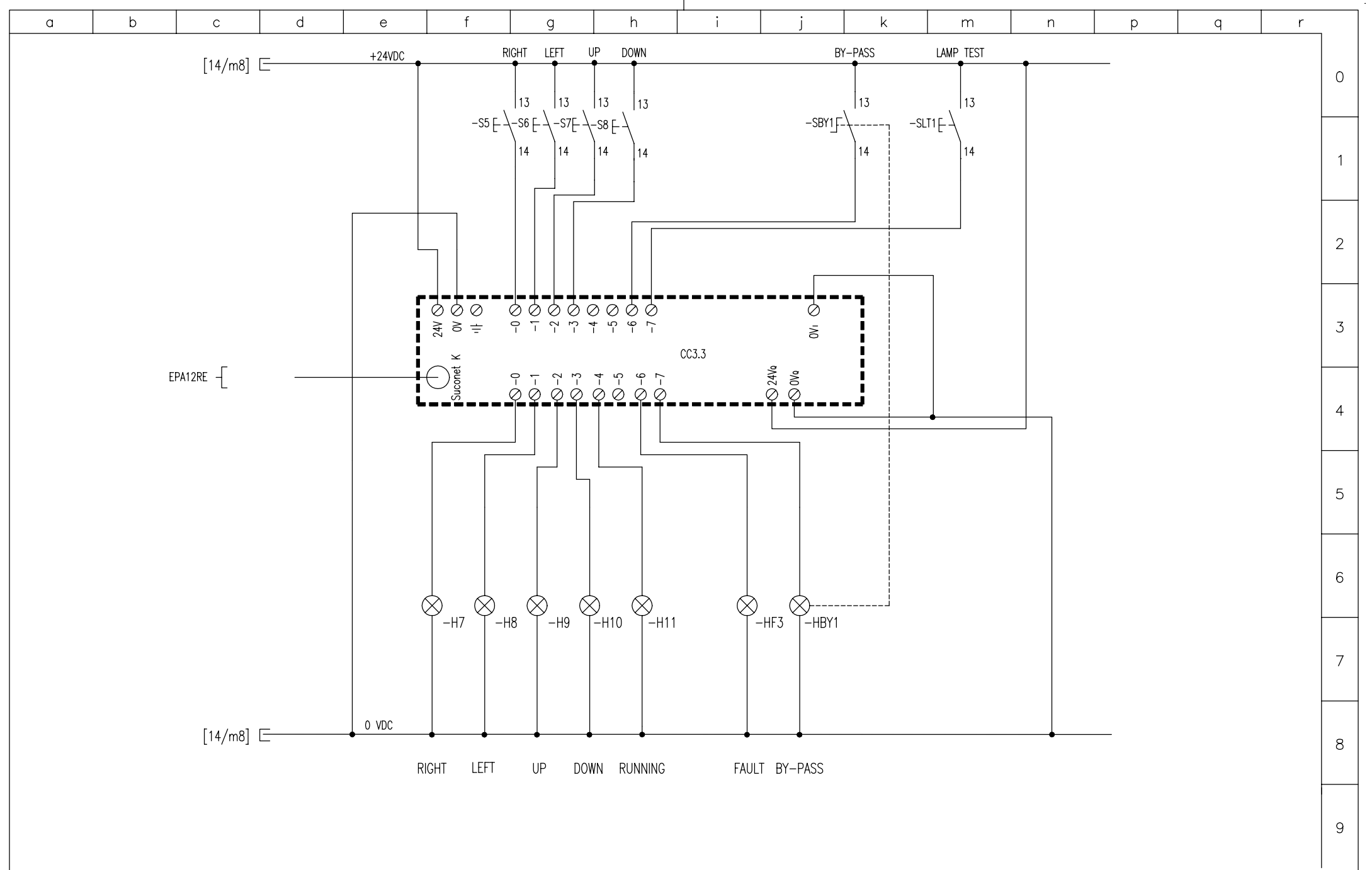


CACCIALANZA & C. s.p.a.
 ANTINCENDIO SICUREZZA ANTINQUINAMENTO
 SEGRATE (MILANO) - ITALY

TITLE
MONITOR 2 MOTIONS
 TYPE A2-A4-A6-A8/EL

CLIENT

		DATE	14.09.2001	DWG N°	46404701
		SCALE	/	PROJECT N°	
		DRAWN	An.T.		
0	ISSUED	14.09.01	CHECKED	AL.T.	
REV.	MODIFY	DATE	APPROVED	A.M.	SHEET N°. 15 OF 18



CACCIALANZA & C. S.p.A.
 ANTINCENDIO SICUREZZA ANTINQUINAMENTO
 SEGRATE (MILANO) - ITALY

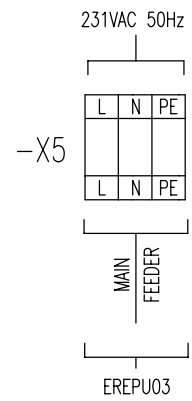
TITLE
 MONITOR 2 MOTIONS
 TYPE A2-A4-A6-A8/EL

CLIENT

			DATE	14.09.2001	DWG N°	46404701
			SCALE	/		
			DRAWN	An.T.		
0	ISSUED	14.09.01	CHECKED	AL.T.		PROJECT N°
REV.	MODIFY	DATE	APPROVED	A.M.		SHEET N° 16 OF 18

a b c d e f g h i j k m n p q r

0
1
2
3
4
5
6
7
8
9



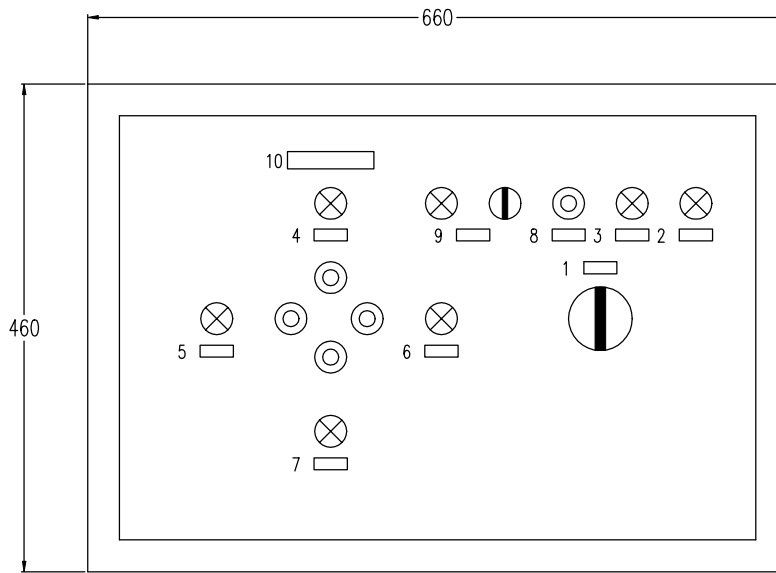
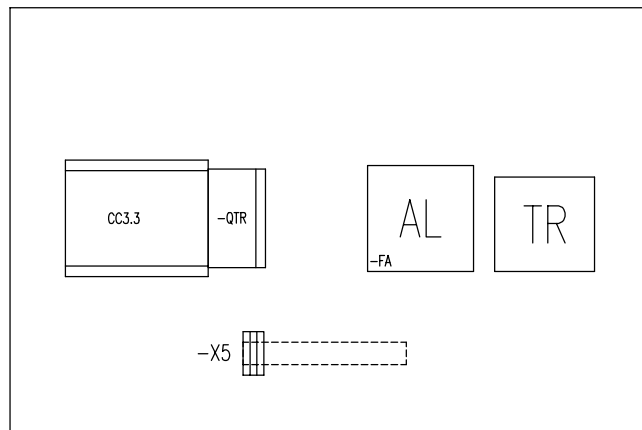
CACCIALANZA & C. s.p.a.
ANTINCENDIO SICUREZZA ANTINQUINAMENTO
SEGRATE (MILANO) - ITALY

TITLE
MONITOR 2 MOTIONS
TYPE A2-A4-A6-A8/EL

CLIENT

			DATE	14.09.2001	DWG N°	46404701
			SCALE	/		
			DRAWN	An.T.	PROJECT N°	
0	ISSUED	14.09.01	CHECKED	ALT.		
REV.	MODIFY	DATE	APPROVED	A.M.	SHEET N°	17 OF 18

EREPU03



- 1 MAIN SWITCH (-IG1)
- 2 RUNNING (-H11)
- 3 FAULT (-HF3)
- 4 UP (-H9 -S7)
- 5 LEFT (-H7 -S6)
- 6 RIGHT (-H8 -S5)
- 7 DOWN (-H10 -S8)
- 8 LAMP TEST (-SLT1)
- 9 BY-PASS (-SBY1 -HBY1)
- 10 MONITOR -M01.1

INTERNAL LAY-OUT

DEEP=350 mm

OUTLINE DIMENSIONS