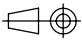


0	14.09.2001	ISSUED	An.T.	Al.T.	A.M.
Rev.	Date	Description	Drawn	Checked	Approved
CACCIALANZA & C. <small>s.p.A.</small> ANTINCENDIO SICUREZZA ANTINUQUINAMENTO SEGRATE (MILAND) - ITALY		Client / Project			
		Title			
	Date	Name	PANEL 1 MONITOR (2 MOV.) AND MO VALVE WITH NOZZLE/DEFLECTOR EExd-IB T3-T6 EXPANDED EXECUTION WITH REMOTE COMMAND PANEL		
Drawn	14.09.2001	An.T.			
Checked	14.09.2001	Al.T.			
Approved	14.09.2001	A.M.			
Code	Sys.	Size	Scale	Dwg nr.	Rev.
		A3	/	46404521	0
					Sheet 1
					of 15
THIS DRAWING IS THE PROPERTY OF CACCIALANZA & C. S.p.A. AND IS NOT TO BE REPRODUCED OR USED TO FURNISH ANY INFORMATION FOR MAKING OF DRAWINGS OR APPARATUS EXCEPT WHERE PROVIDED FOR BY AGREEMENT WITH SAID COMPANY					

a	b	c	d	e	f	g	h	i	j	k	m	n	p	q	r													
SHEET	DESCRIPTION						MODIFY					SHEET	DESCRIPTION						MODIFY					0				
							A	B	C	D	E								F	G	H	I	A		B	C	D	E
1	COVER						0						29															
2	MODIFY TABLE						0						30															
3	TECHNICAL DATA						0						31															
4	WIRE COLOUR TABLE						0						32															
5	POWER WIRING SPA01RE						0						33															
6	MAIN SUPPLY SPA01RE						0						34															
7	-M01.1 WIRING RIGHT/LEFT						0						35															
8	-M01.2 WIRING UP/DOWN						0						36															
9	-N1 WIRING						0						37															
10	-VA1 WIRING						0						38															
11	SWITCES AND LAMPS WIRING						0						39															
12	EREPA03 WIRING						0						40															
13	EPA12FR- EREPA03 TERMINAL CONNECTIONS						0						41															
14	EPA12FR LAY OUT AND FRONT PANEL						0						42															
15	EREPA03 LAY OUT AND FRONT PANEL						0						43															
16													44															
17													45															
18													46															
19													47															
20													48															
21													49															
22													50															
23													51															
24													52															
25													53															
26													54															
27													55															
28													56															

CACCIALANZA & C. s.p.a ANTINCENDIO SICUREZZA ANTINQUINAMENTO SEGRATE (MILANO) - ITALY	TITLE	CLIENT	DATE	14.09.2001	DWG N°	46404521					
	MONITOR 4 MOTIONS		SCALE	/	PROJECT N°						
	TYPE A2-A4-A6-A8/EL		DRAWN	An.T.							
			0	ISSUED	14.09.01	CHECKED	AL.T.				
			REV.	MODIFY	DATE	APPROVED	A.M.	SHEET N°	2	OF	15

a b c d e f g h i j k m n p q r

0
1
2
3
4
5
6
7
8
9

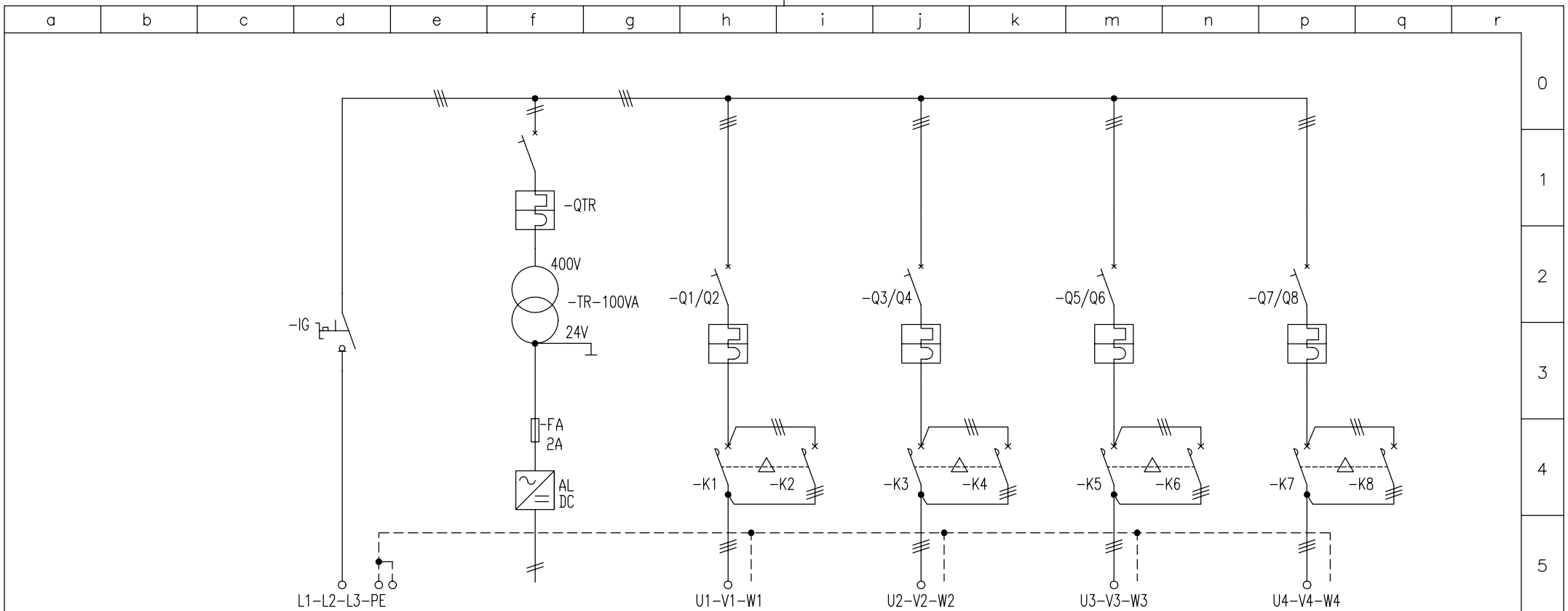
PANEL BOARD TECHNICAL DATA		
RATED SERVICE VOLTAGE:.....400V	TYPE OF SEGREGATION:.....FORM 1	TEMPERATURE:.....40°C
RATED INSULATION VOLTAGE:.....500V	INSTALLATION:.....OUTDOOR	DEGREE OF PROTECTION:..EExd-IIB T3-T6
RATED FREQUENCY:.....50Hz	COMPLIANCE WITH STANDARD:.....CEI 17/13.1	COLOR:.....ALUMINIUM
ELECTRICAL SYSTEM:.....3Ph+PE	IN/OUT CABLES:.....BOTTOM	

CACCIALANZA & C. s.p.a ANTINCENDIO SICUREZZA ANTINQUINAMENTO SEGRATE (MILANO) - ITALY	TITLE MONITOR 4 MOTIONS TYPE A2-A4-A6-A8/EL	CLIENT	DATE	14.09.2001	DWG N° 46404521	
			SCALE	/		
			DRAWN	An.T.		PROJECT N°
			0 ISSUED	14.09.01		
REV.	MODIFY	DATE	APPROVED	A.M.	SHEET N° 3 OF 15	

a b c d e f g h i j k m n p q r

0
1
2
3
4
5
6
7
8
9

POWER CIRCUIT		AUXILIARY CIRCUIT	
MIN. SECTION 2,5mmq		MIN. SECTION 1,5mmq	
CONDUCTOR		CONDUCTOR	
PHASES	BLACK	24V - C.A.	RED
NEUTRAL	LIGHT BLUE	110V - A.C	RED
GROUND	YELLOW-GREEN	220V - A.C	BLACK
		24V - D.C	BLUE
WIRE COLOUR TABLE			



USE	CIRCUIT		n?		MAIN SUPPLY		RIGHT/LEFT MONITOR MO1.1		UP/DOWN MONITOR MO1.2		NOZZLE -N1		VALVE -VA1	
	DESCRIPTION		Kw	A	1,9	3,8	0,45	0,9	0,45	0,9	0,45	0,9	0,45	0,9
ELECTRICAL EQUIPMENT	SWITCH	TYPE	P1-25 /Z		
		RATED CURRENT - N. POLES	A	n?	25	3	
		BREAKING CAPACITY	V	KA	400		
		SETTING CURRENT MAG. ELEMENT	A											
		SETTING CURRENT THE. ELEMENT	A											
	THERMAL RELAY	TYPE	DILER40//G(24VDC)		DILER40//G(24VDC)		DILER40//G(24VDC)		DILER40//G(24VDC)		DILER40//G(24VDC)		DILER40//G(24VDC)	
		RATED CURRENT	A											
		UTILIZATION CATEGORY	AC-3		AC-3		AC-3		AC-3		AC-3		AC-3	
		SETTING RANGE	A											
		SETTING CURRENT	A											
FUSEHOLDER	TYPE & CURRENT		A											
	FUSES - TYPE & SETTING CURRENT		A											
	AMMETER													
LINE	CABLE	TYPE												
		SECTION	mmq		(4G2,5)		(4G2,5)		(4G2,5)		(4G2,5)			
		LANCE	mt											
		RATED CURRENT(Iz)	A											

CACCIALANZA & C. S.p.A
 ANTINCENDIO SICUREZZA ANTINQUINAMENTO
 SEGRATE (MILAND) - ITALY

TITLE
MONITOR 4 MOTIONS
 TYPE A2-A4-A6-A8/EL

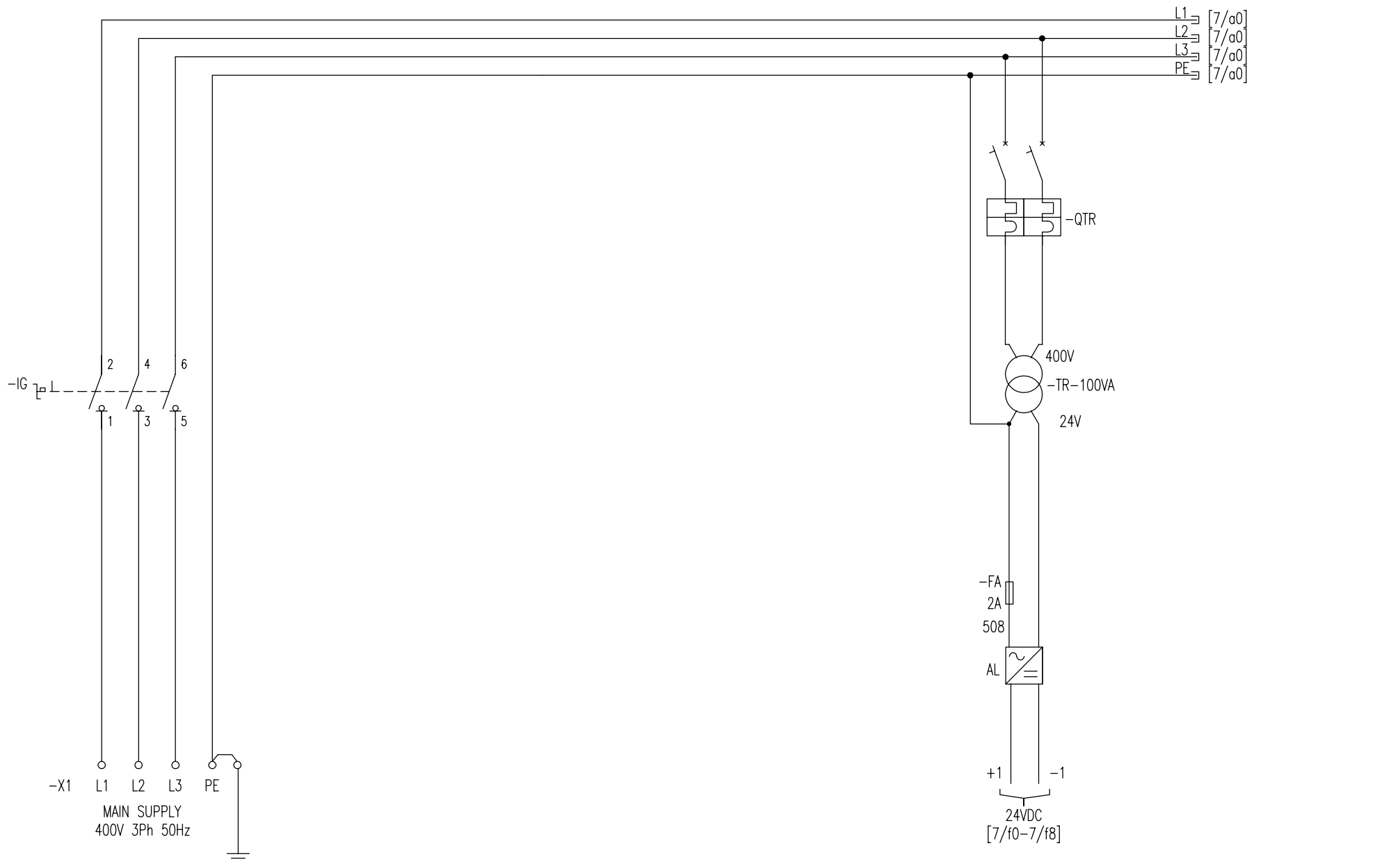
CLIENT

DATE	14.09.2001
SCALE	/
DRAWN	An.T.
CHECKED	AL.T.
APPROVED	A.M.

DWG N° **46404521**
 PROJECT N°
 SHEET N°. 5 OF 15

0	ISSUED	14.09.01
REV.	MODIFY	DATE

a b c d e f g h i j k m n p q r



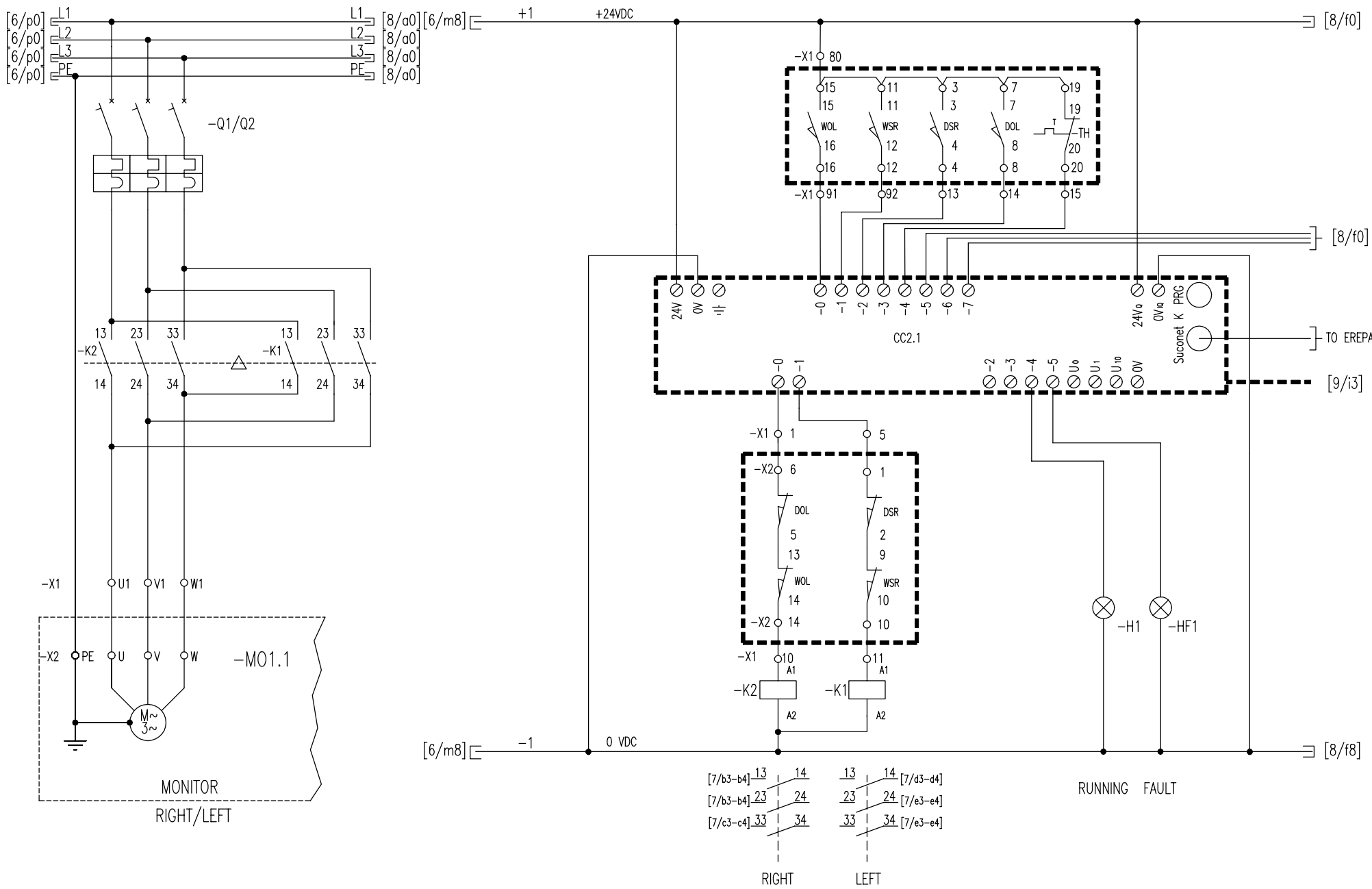
0
1
2
3
4
5
6
7
8
9

CACCIALANZA & C. s.p.a.
ANTINCENDIO SICUREZZA ANTINQUINAMENTO
SEGRATE (MILANO) - ITALY

TITLE
MONITOR 4 MOTIONS
TYPE A2-A4-A6-A8/EL

CLIENT

		DATE	14.09.2001	DWG N°	46404521
		SCALE	/	PROJECT N°	
		DRAWN	An.T.		
0	ISSUED	14.09.01	CHECKED	AL.T.	
REV.	MODIFY	DATE	APPROVED	A.M.	SHEET N° 6 OF 15



CACCIALANZA & C. s.p.a.
ANTINCENDIO SICUREZZA ANTINQUINAMENTO
SEGRATE (MILANO) - ITALY

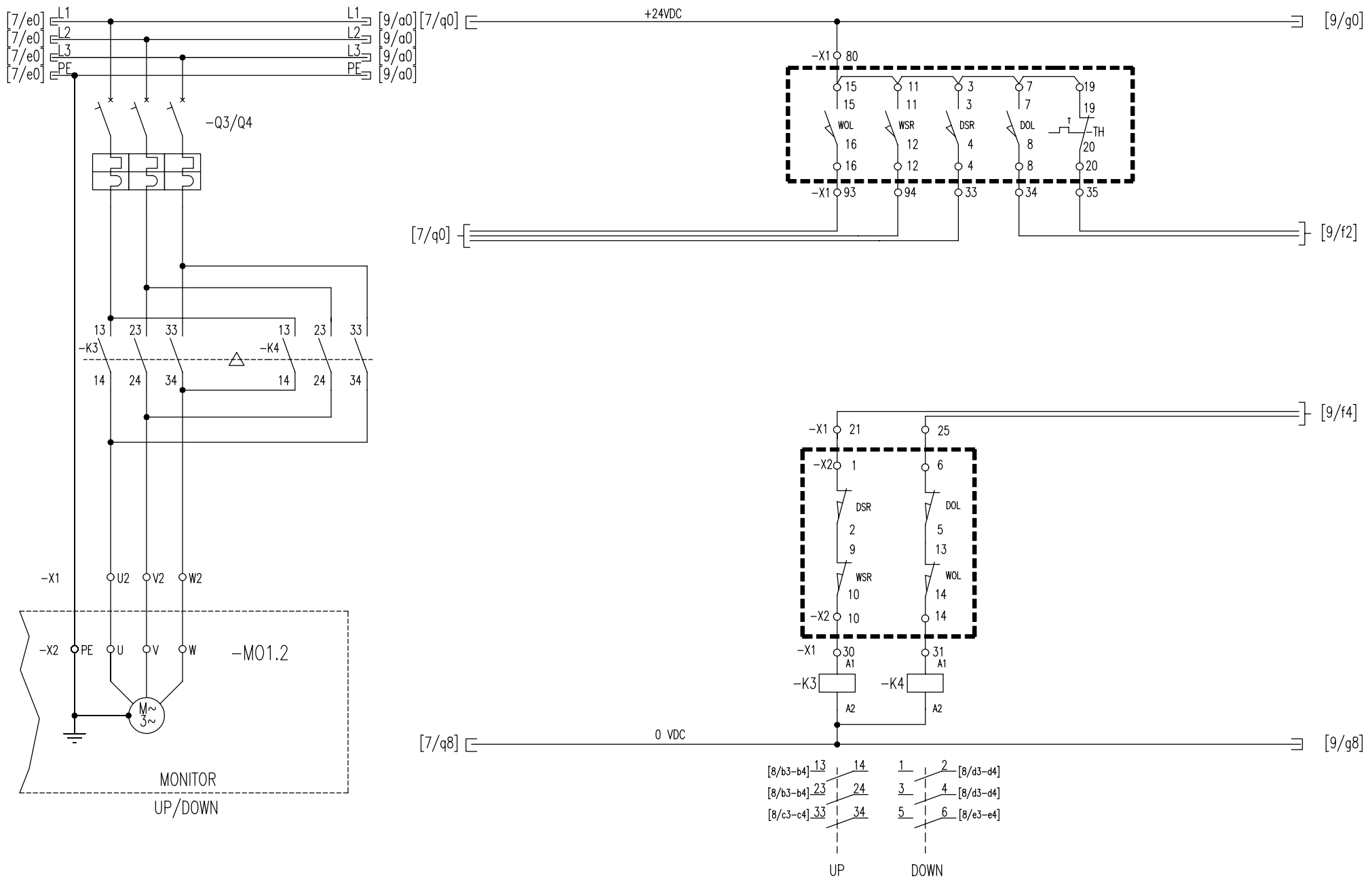
TITLE
MONITOR 4 MOTIONS
TYPE A2-A4-A6-A8/EL

CLIENT

DATE	14.09.2001
SCALE	/
DRAWN	An.T.
CHECKED	AL.T.
APPROVED	A.M.

DWG N° 46404521
PROJECT N°
SHEET N. 7 OF 15

REV.	0	ISSUED	DATE	14.09.01
		MODIFY		



CACCIALANZA & C. s.p.a
 ANTINCENDIO SICUREZZA ANTINQUINAMENTO
 SEGRATE (MILANO) - ITALY

TITLE
 MONITOR 4 MOTIONS
 TYPE A2-A4-A6-A8/EL

CLIENT

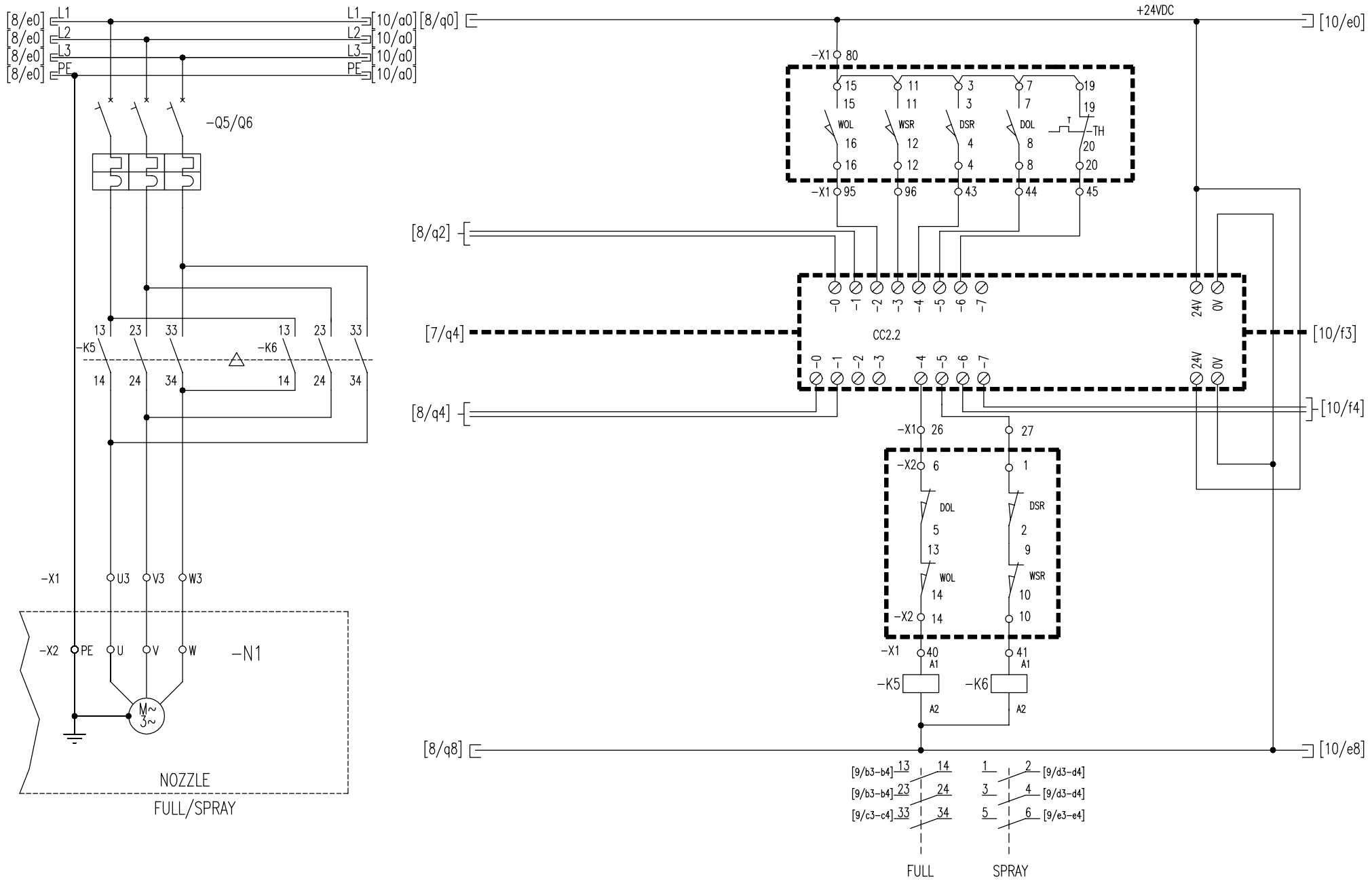
DATE	14.09.2001
SCALE	/
DRAWN	An.T.
CHECKED	AL.T.
APPROVED	A.M.

DWG N° 46404521

PROJECT N°

REV.	0	ISSUED	DATE	14.09.01	CHECKED	AL.T.
		MODIFY	DATE		APPROVED	A.M.

SHEET N. 8 OF 15



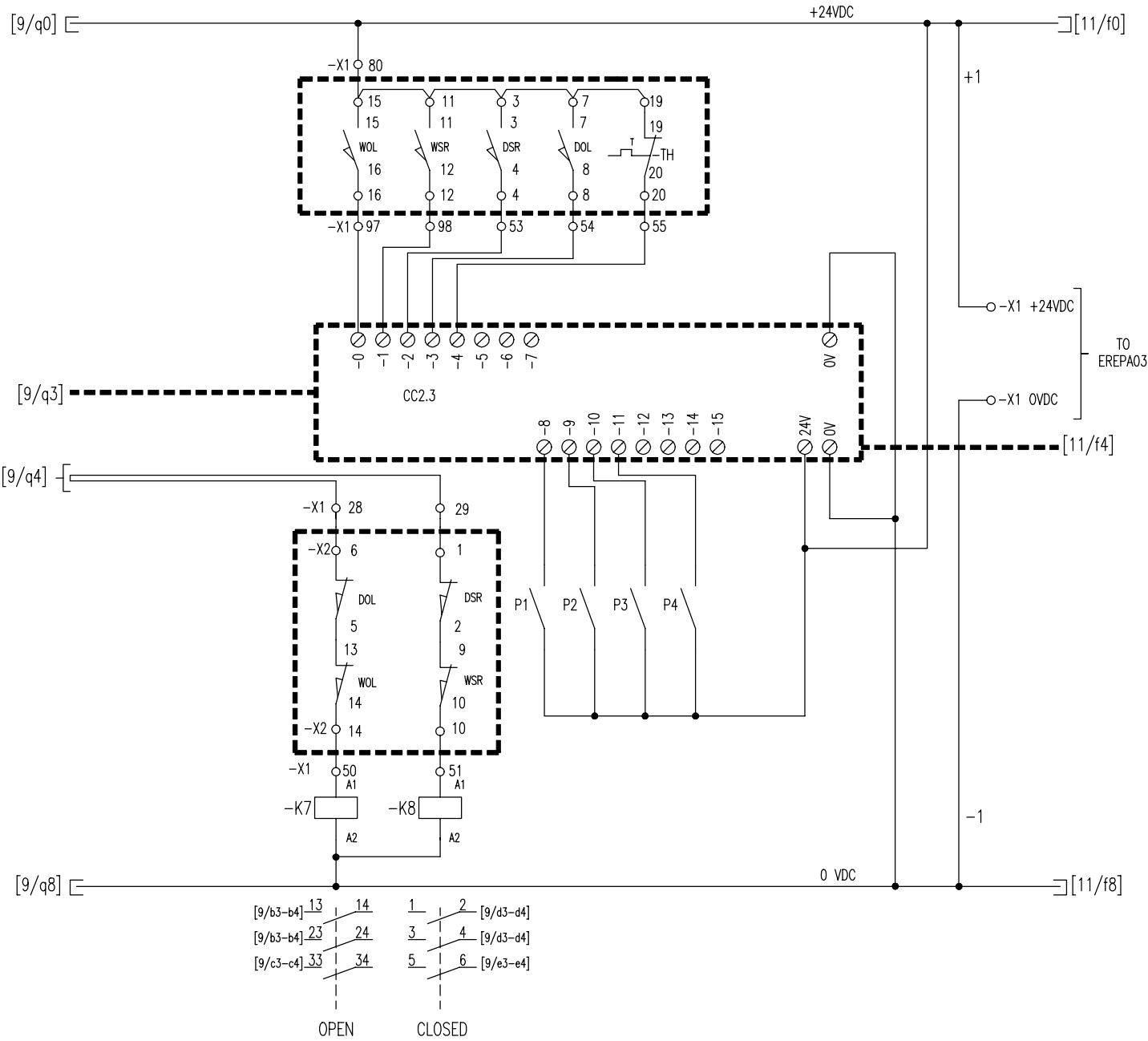
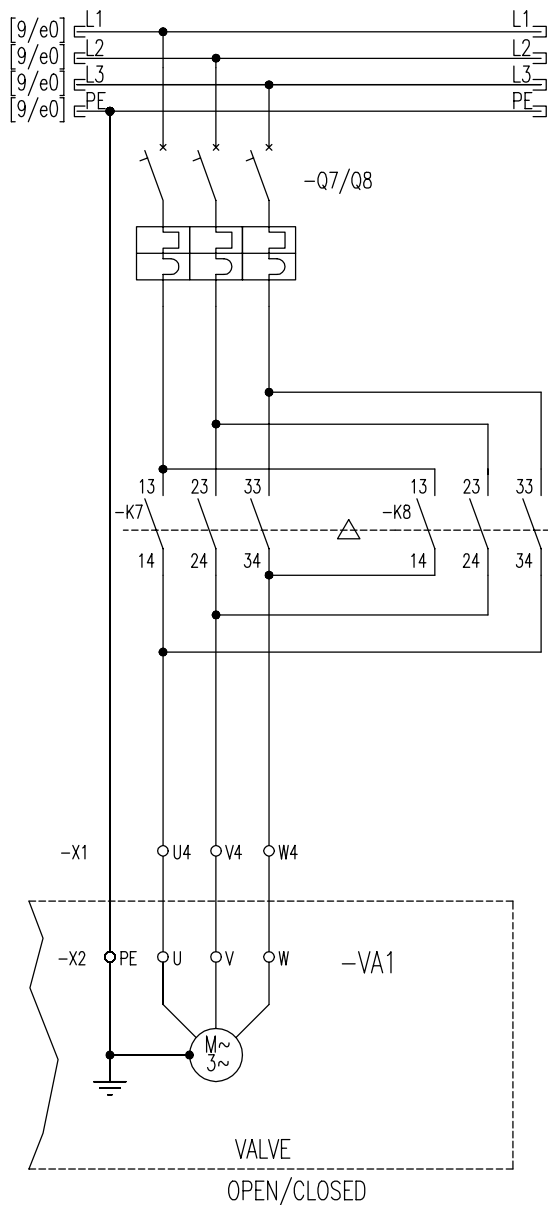
CACCIALANZA & C. s.p.a.
ANTINCENDIO SICUREZZA ANTINQUINAMENTO
SEGRATE (MILANO) - ITALY

TITLE
MONITOR 4 MOTIONS
TYPE A2-A4-A6-A8/EL

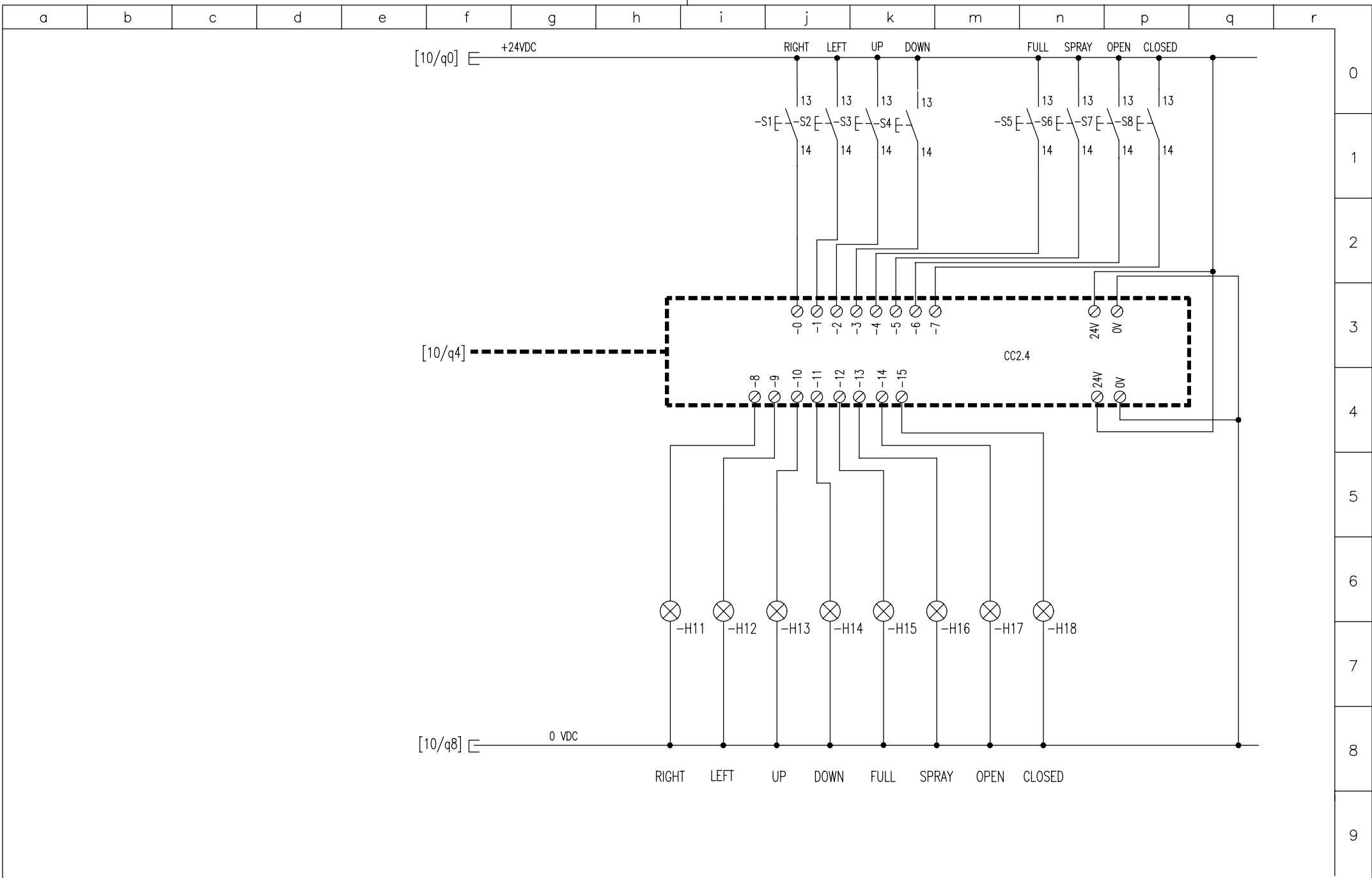
CLIENT

DATE	14.09.2001
SCALE	/
DRAWN	An.T.
CHECKED	AL.T.
APPROVED	A.M.
REV.	MODIFY
0	ISSUED
14.09.01	

DWG N° 46404521
PROJECT N°
SHEET N. 9 OF 15



0
1
2
3
4
5
6
7
8
9



CACCIALANZA & C. s.p.a.
 ANTINCENDIO SICUREZZA ANTINQUINAMENTO
 SEGRATE (MILANO) - ITALY

TITLE
 MONITOR 4 MOTIONS
 TYPE A2-A4-A6-A8/EL

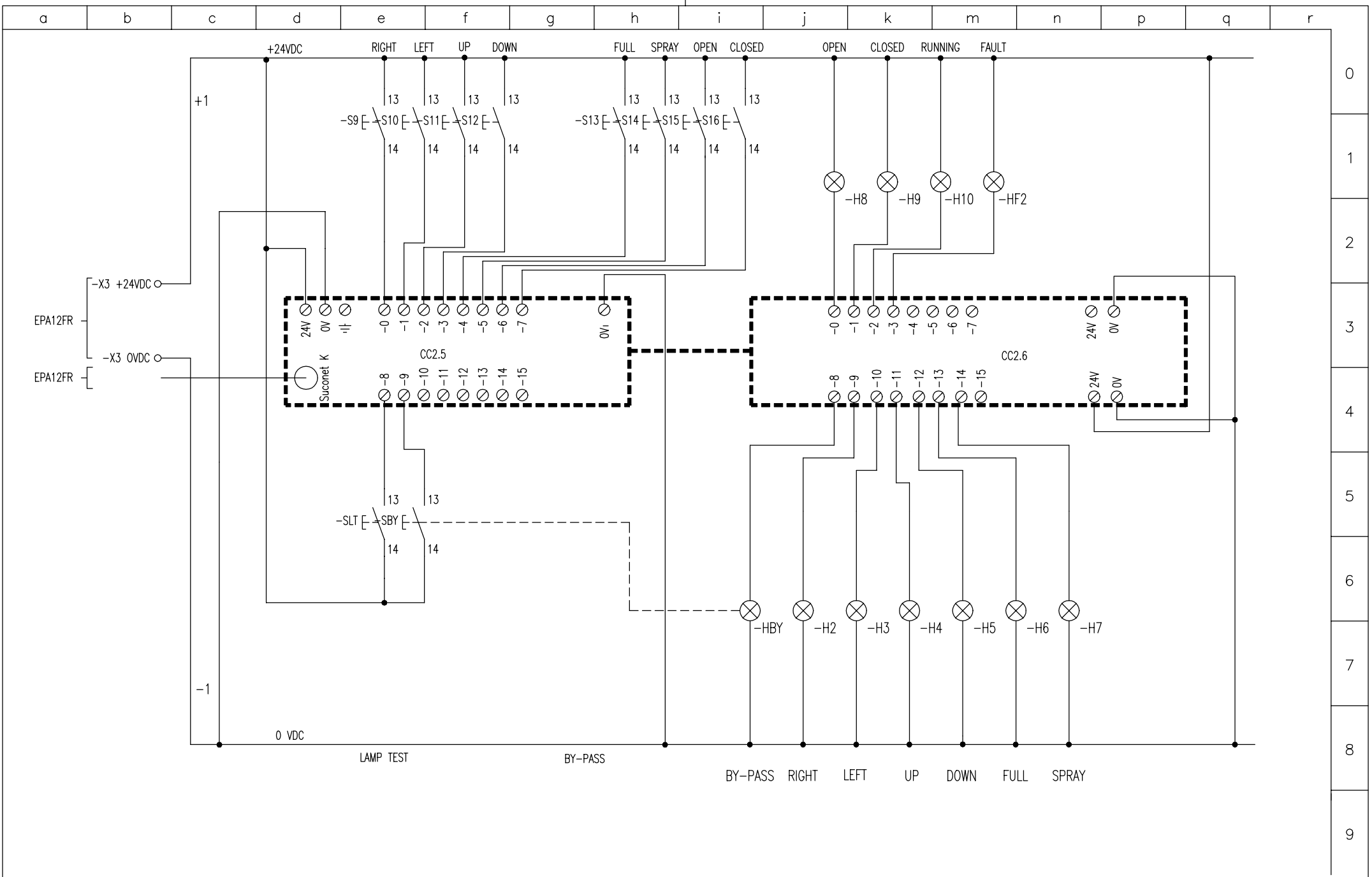
CLIENT

DATE	14.09.2001
SCALE	/
DRAWN	An.T.
CHECKED	ALT.
APPROVED	A.M.
REV.	MODIFY
DATE	14.09.01

DWG N° 46404521

PROJECT N°

SHEET N. 11 OF 15



CACCIALANZA & C. s.p.a.
 ANTINCENDIO SICUREZZA ANTINQUINAMENTO
 SEGRATE (MILANO) - ITALY

TITLE
MONITOR 4 MOTIONS
 TYPE A2-A4-A6-A8/EL

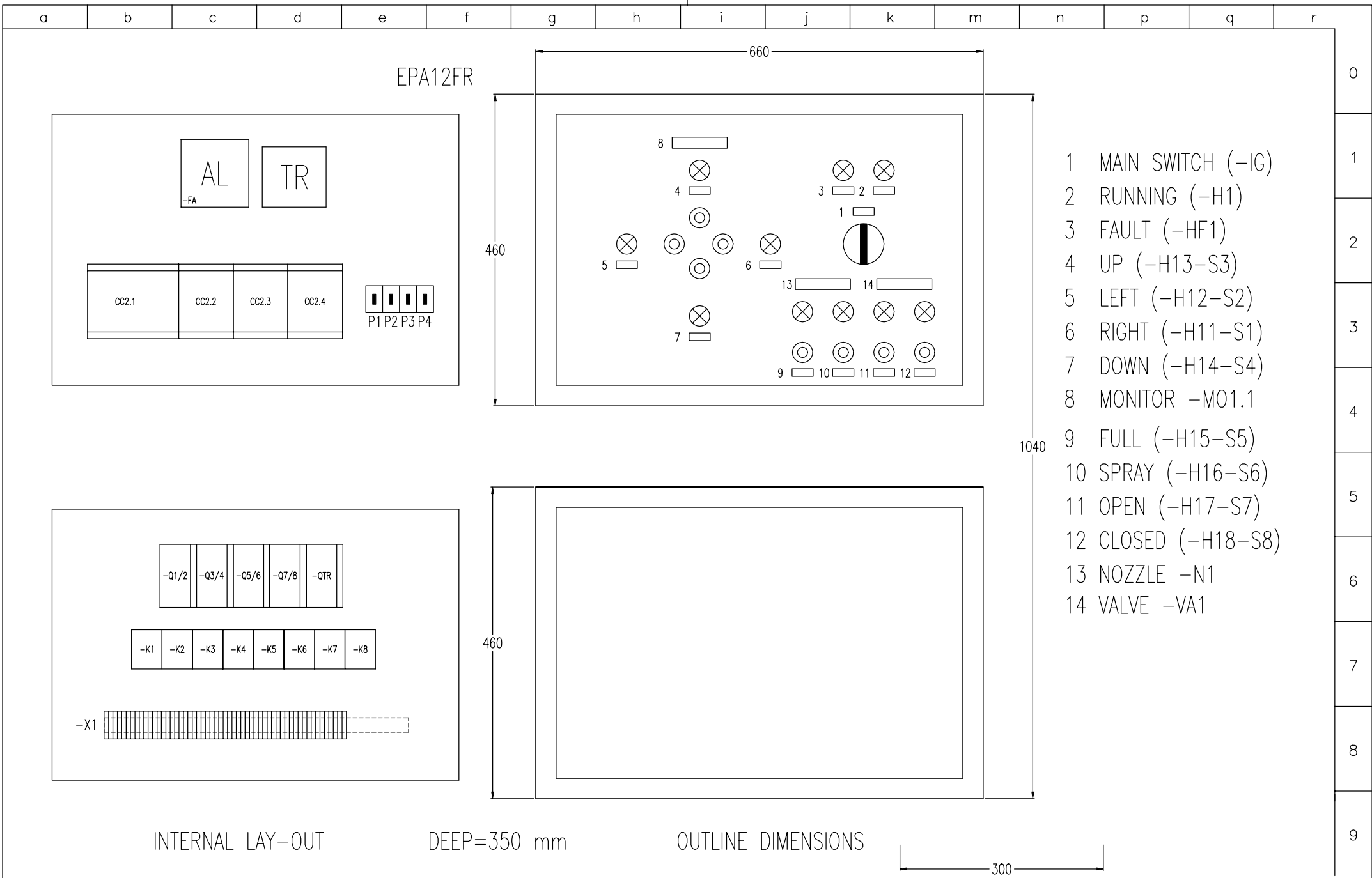
CLIENT

DATE	14.09.2001
SCALE	/
DRAWN	An.T.
CHECKED	ALT.
DATE	14.09.01
APPROVED	A.M.
REV.	MODIFY

DWG N° **46404521**

PROJECT N°

SHEET N°. 12 OF 15



EPA12FR

- 1 MAIN SWITCH (-IG)
- 2 RUNNING (-H1)
- 3 FAULT (-HF1)
- 4 UP (-H13-S3)
- 5 LEFT (-H12-S2)
- 6 RIGHT (-H11-S1)
- 7 DOWN (-H14-S4)
- 8 MONITOR -M01.1
- 9 FULL (-H15-S5)
- 10 SPRAY (-H16-S6)
- 11 OPEN (-H17-S7)
- 12 CLOSED (-H18-S8)
- 13 NOZZLE -N1
- 14 VALVE -VA1

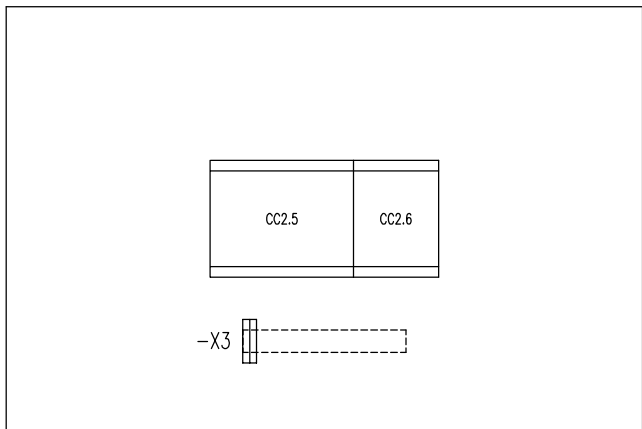
INTERNAL LAY-OUT

DEEP=350 mm

OUTLINE DIMENSIONS

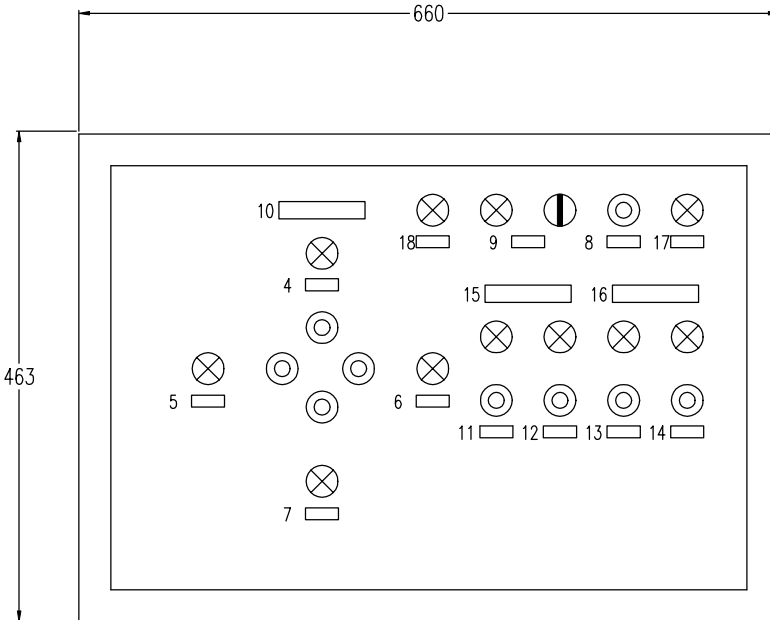
CACCIALANZA & C. s.p.a ANTINCENDIO SICUREZZA ANTINQUINAMENTO SEGRATE (MILANO) - ITALY	TITLE		CLIENT		DATE	14.09.2001	DWG N°	46404521
	MONITOR 4 MOTIONS				SCALE	/	PROJECT N°	
	TYPE A2-A4-A6-A8/EL				DRAWN	An.T.		
	0	ISSUED	14.09.01	CHECKED	ALT.			
	REV.	MODIFY	DATE	APPROVED	A.M.			SHEET N° 14 OF 15

EREPA03



INTERNAL LAY-OUT

DEEP=350 mm



OUTLINE DIMENSIONS

- 4 UP (-H4 -S11)
- 5 LEFT (-H3 -S10)
- 6 RIGHT (-H2 -S9)
- 7 DOWN (-H5 -S12)
- 8 LAMP TEST (-SLT)
- 9 BY-PASS (-SBY -HBY)
- 10 MONITOR -M01.1
- 11 FULL (-H6 -S13)
- 12 SPRAY (-H7 -S14)
- 13 OPEN (-H8 -S15)
- 14 CLOSED (-H9 -S16)
- 15 NOZZLE -N1
- 16 VALVE -VA1
- 17 FAULT (-HF2)
- 18 RUNNING (-H10)

0
1
2
3
4
5
6
7
8
9