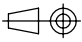


0	14.09.2001	ISSUED	An.T.	Al.T.	A.M.	
Rev.	Date	Description	Drawn	Checked	Approved	
CACCIALANZA & C. <small>s.p.A.</small> ANTINCENDIO SICUREZZA ANTINUQUINAMENTO SEGRATE (MILAND) - ITALY		Client / Project				
		Title				
	Date	Name	PANEL 1 MONITOR (2 MOV.) AND MO VALVE EExd-IIB T3-T6 EXPANDED EXECUTION WITH REMOTE COMMAND PANEL			
Drawn	14.09.2001	An.T.				
Checked	14.09.2001	Al.T.				
Approved	14.09.2001	A.M.				
Code	Sys.	Size	Scale	Dwg nr.	Rev.	Sheet
		A3	/	46404511	0	1
						of 14
THIS DRAWING IS THE PROPERTY OF CACCIALANZA & C. S.p.A. AND IS NOT TO BE REPRODUCED OR USED TO FURNISH ANY INFORMATION FOR MAKING OF DRAWINGS OR APPARATUS EXCEPT WHERE PROVIDED FOR BY AGREEMENT WITH SAID COMPANY						

a b c d e f g h i j k m n p q r

0
1
2
3
4
5
6
7
8
9

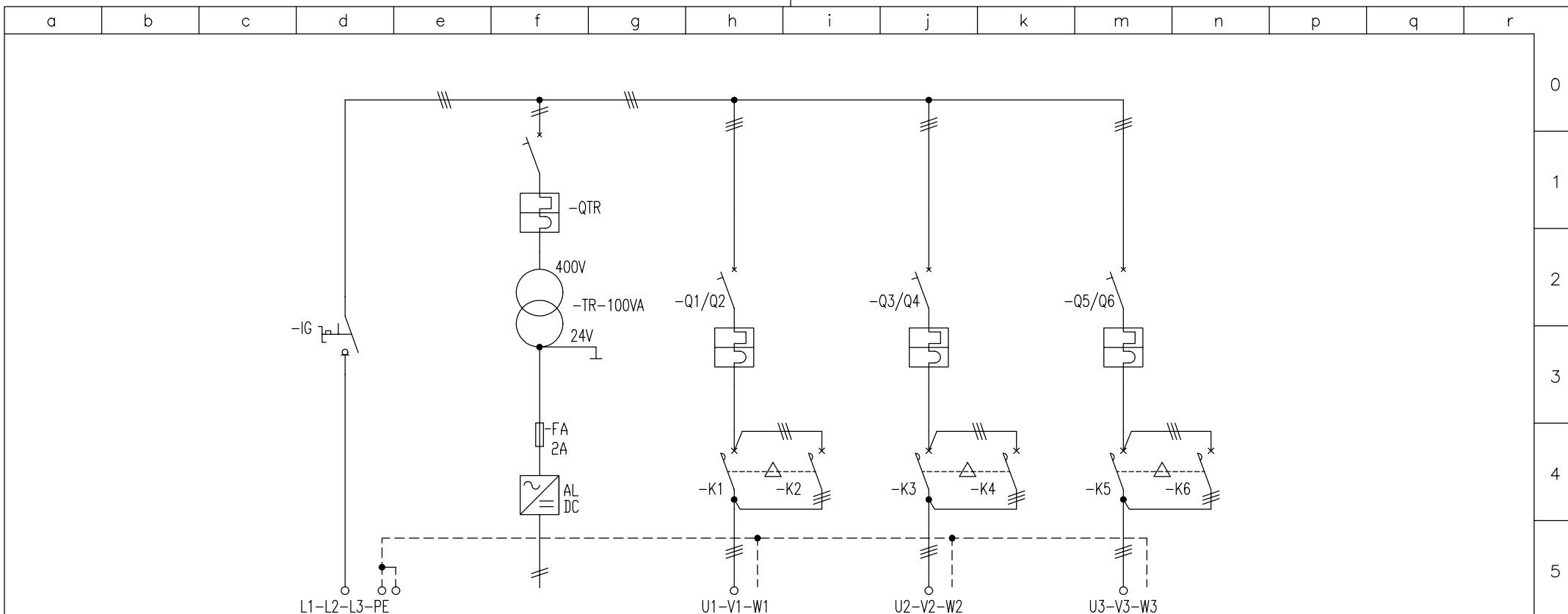
PANEL BOARD TECHNICAL DATA		
RATED SERVICE VOLTAGE:.....400V	TYPE OF SEGREGATION:.....FORM 1	TEMPERATURE:.....40°C
RATED INSULATION VOLTAGE:.....500V	INSTALLATION:.....OUTDOOR	DEGREE OF PROTECTION: EExd-iiB T3-T6
RATED FREQUENCY:.....50Hz	COMPLIANCE WITH STANDARD:.....CEI 17/13.1	COLOR:.....ALUMINIUM
ELECTRICAL SYSTEM:.....3Ph+PE	IN/OUT CABLES:.....BOTTOM	

CACCIALANZA & C. s.p.a ANTINCENDIO SICUREZZA ANTINQUINAMENTO SEGRATE (MILANO) - ITALY	TITLE	CLIENT	DATE	14.09.2001	DWG N°	46404511		
	MONITOR 3 MOTIONS TYPE A2-A4-A6-A8/EL		SCALE	/	DRAWN	An.T.	PROJECT N°	
			0	ISSUED	14.09.01	CHECKED		ALT.
			REV.	MODIFY	DATE	APPROVED	A.M.	SHEET N° 3 OF 14

a b c d e f g h i j k m n p q r

0
1
2
3
4
5
6
7
8
9

POWER CIRCUIT		AUXILIARY CIRCUIT	
MIN. SECTION 2,5mmq		MIN. SECTION 1,5mmq	
CONDUCTOR		CONDUCTOR	
PHASES	BLACK	24V - C.A.	RED
NEUTRAL	LIGHT BLUE	110V - A.C	RED
GROUND	YELLOW-GREEN	220V - A.C	BLACK
		24V - D.C	BLUE
WIRE COLOUR TABLE			



USE	CIRCUIT		n?		MAIN SUPPLY		RIGHT/LEFT MONITOR M01.1		UP/DOWN MONITOR M01.2		VALVE -VA1	
	DESCRIPTION		Kw	A	1,45	2,9	0,45	0,9	0,45	0,9	0,45	0,9
ELECTRICAL EQUIPMENT	SWITCH	TYPE	P1-25 /Z				
		RATED CURRENT - N. POLES	A	n?	25	3						
		BREAKING CAPACITY	V	KA	400							
		SETTING CURRENT MAG. ELEMENT	A									
		SETTING CURRENT THE. ELEMENT	A									
	CON-FACTOR	TYPE	DILER40//G(24VDC)				DILER40//G(24VDC)		DILER40//G(24VDC)		DILER40//G(24VDC)	
		RATED CURRENT	A									
		UTILIZATION CATEGORY	AC-3				AC-3		AC-3		AC-3	
	THERMAL RELAY	TYPE										
		SETTING RANGE	A									
FUSEHOLDER - TYPE & CURRENT	A											
	FUSES - TYPE & SETTING CURRENT		A									
LINE	AMMETER											
	VOLTMETER											
CABLE	TYPE											
	SECTION	mmq				(4G2,5)		(4G2,5)		(4G2,5)		
	LANCE	mt										
	RATED CURRENT(Iz)	A										

CACCIALANZA & C. s.p.a
 ANTINCENDIO SICUREZZA ANTINQUINAMENTO
 SEGRATE (MILAND) - ITALY

TITLE
MONITOR 3 MOTIONS
 TYPE A2-A4-A6-A8/EL

CLIENT

DATE	14.09.2001
SCALE	/
DRAWN	An.T.
CHECKED	AL.T.
APPROVED	A.M.

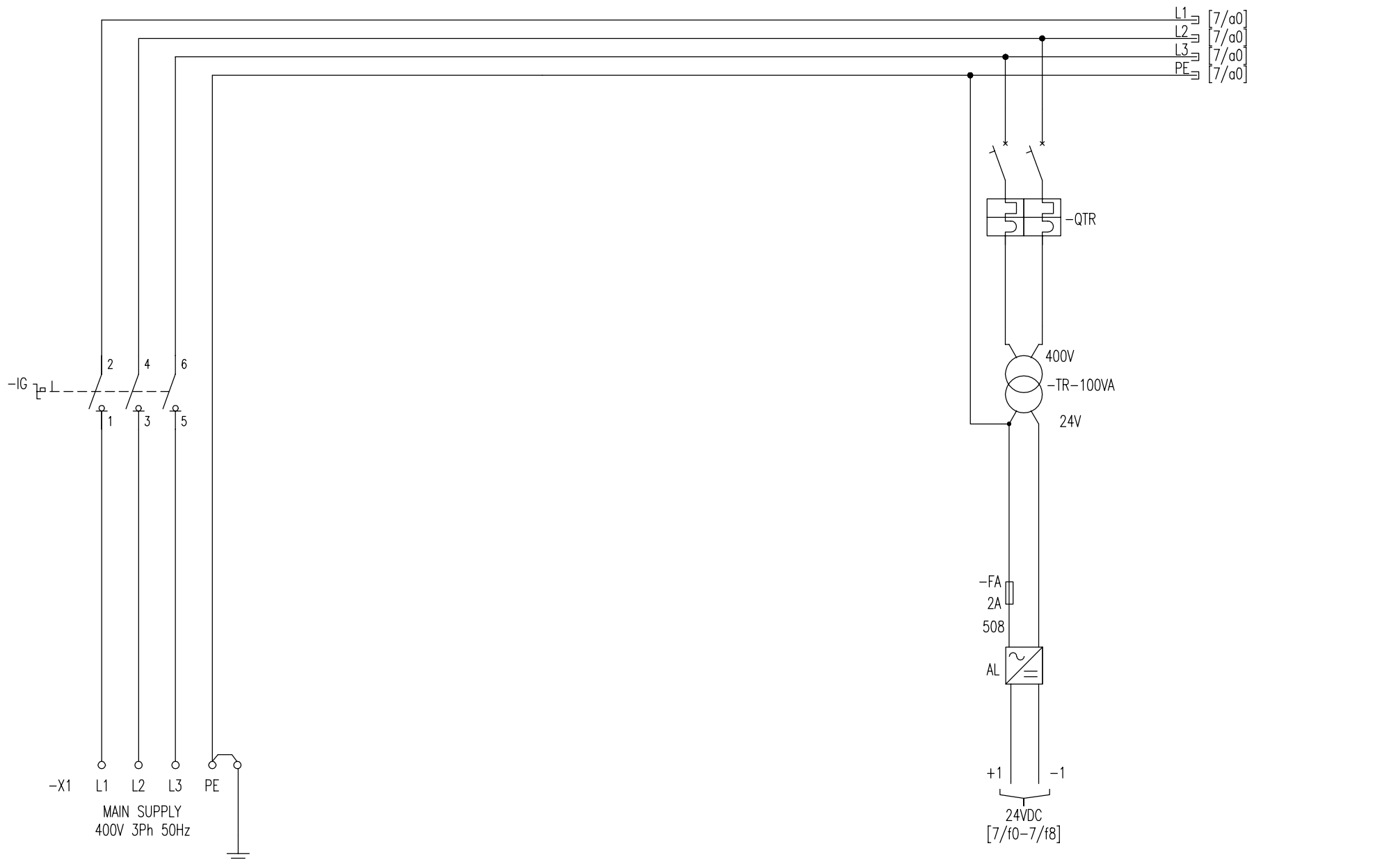
DWG N° **46404511**

PROJECT N°

SHEET N. 5 OF 14

0	ISSUED	14.09.01
REV.	MODIFY	DATE

a b c d e f g h i j k m n p q r



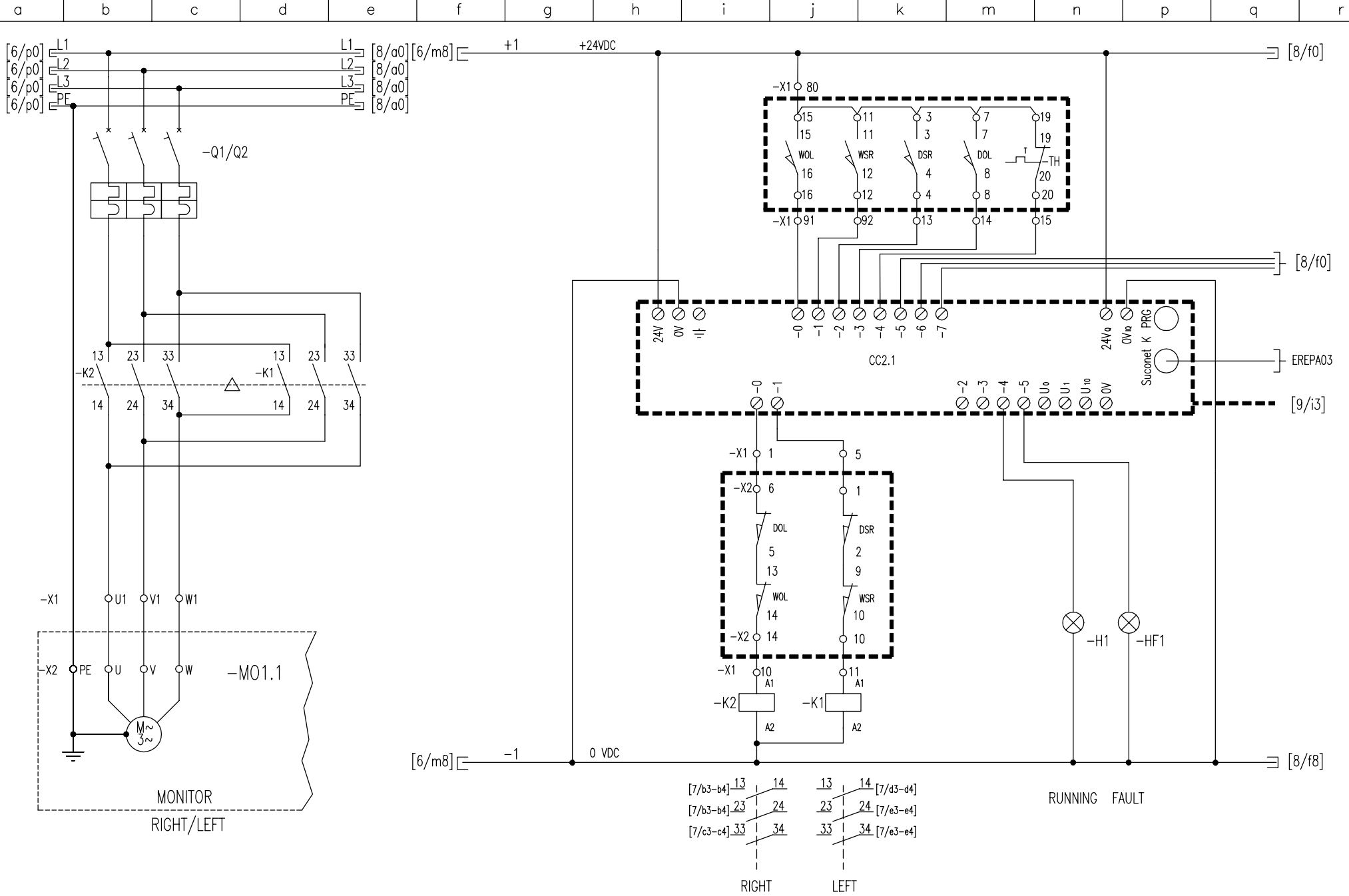
0
1
2
3
4
5
6
7
8
9

CACCIALANZA & C. s.p.a.
 ANTINCENDIO SICUREZZA ANTINQUINAMENTO
 SEGRATE (MILANO) - ITALY

TITLE
 MONITOR 3 MOTIONS
 TYPE A2-A4-A6-A8/EL

CLIENT

			DATE	14.09.2001	DWG N°	46404511
			SCALE	/	PROJECT N°	
			DRAWN	An.T.		
0	ISSUED	14.09.01	CHECKED	AL.T.		
REV.	MODIFY	DATE	APPROVED	A.M.	SHEET N°	6 OF 14



0
1
2
3
4
5
6
7
8
9

CACCIALANZA & C. s.p.a.
ANTINCENDIO SICUREZZA ANTINQUINAMENTO
SEGRATE (MILANO) - ITALY

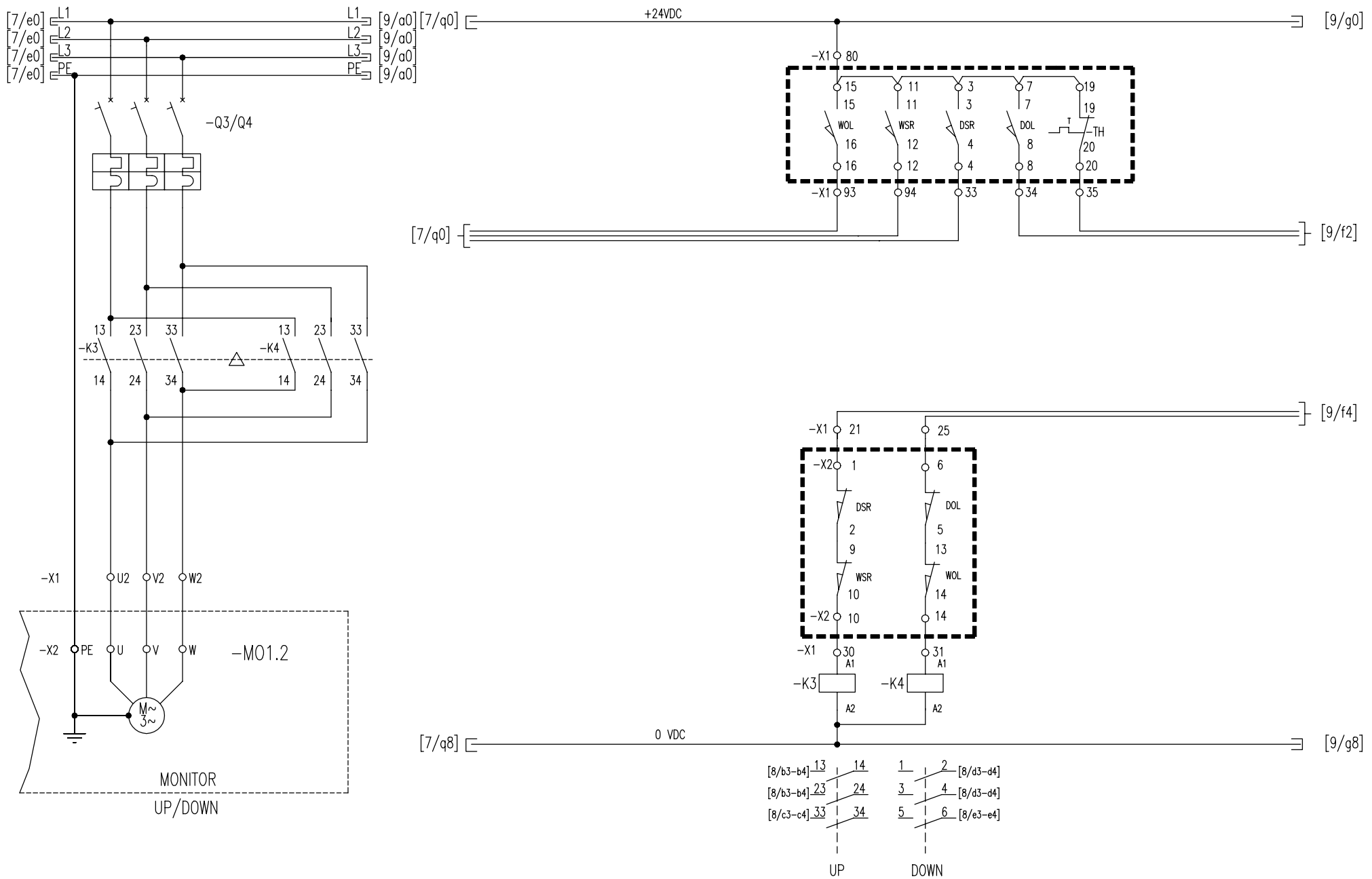
TITLE
MONITOR 3 MOTIONS
TYPE A2-A4-A6-A8/EL

CLIENT

DATE	14.09.2001
SCALE	/
DRAWN	An.T.
CHECKED	AL.T.
APPROVED	A.M.

DWG N° **46404511**
PROJECT N°
SHEET N. 7 OF 14

0	ISSUED	14.09.01
REV.	MODIFY	DATE



CACCIALANZA & C. s.p.a
 ANTINCENDIO SICUREZZA ANTINQUINAMENTO
 SEGRATE (MILANO) - ITALY

TITLE
 MONITOR 3 MOTIONS
 TYPE A2-A4-A6-A8/EL

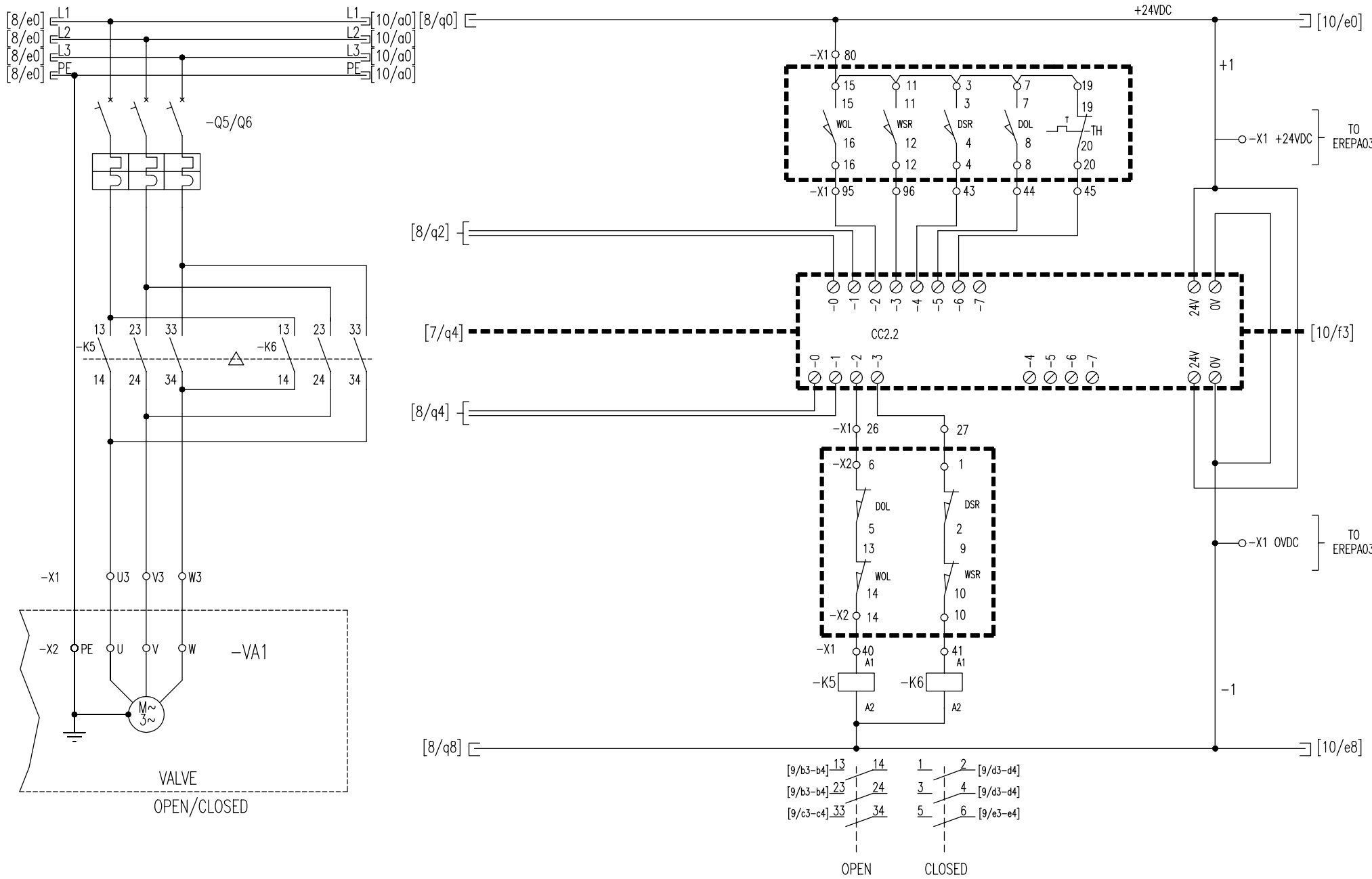
CLIENT

DATE	14.09.2001
SCALE	/
DRAWN	An.T.
CHECKED	AL.T.
APPROVED	A.M.

DWG N° 46404511

PROJECT N°

SHEET N. 8 OF 14



CACCIALANZA & C. S.p.A.
 ANTINCENDIO SICUREZZA ANTINQUINAMENTO
 SEGRATE (MILAND) - ITALY

TITLE
MONITOR 3 MOTIONS
 TYPE A2-A4-A6-A8/EL

CLIENT

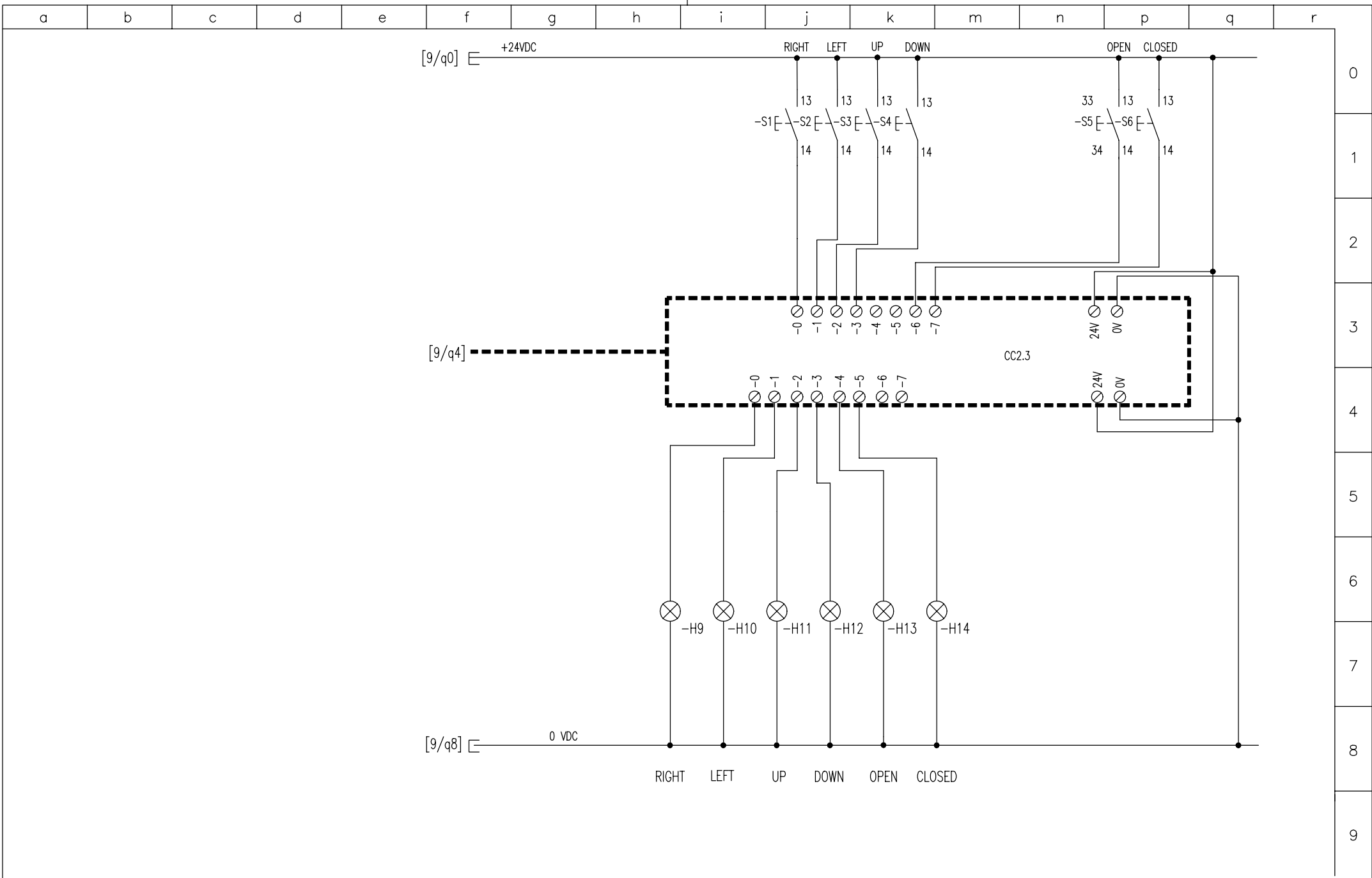
DATE	14.09.2001
SCALE	/
DRAWN	An.T.
CHECKED	AL.T.
APPROVED	A.M.

DWG N° **46404511**

PROJECT N°

SHEET N. 9 OF 14

0	ISSUED	14.09.01
REV.	MODIFY	DATE

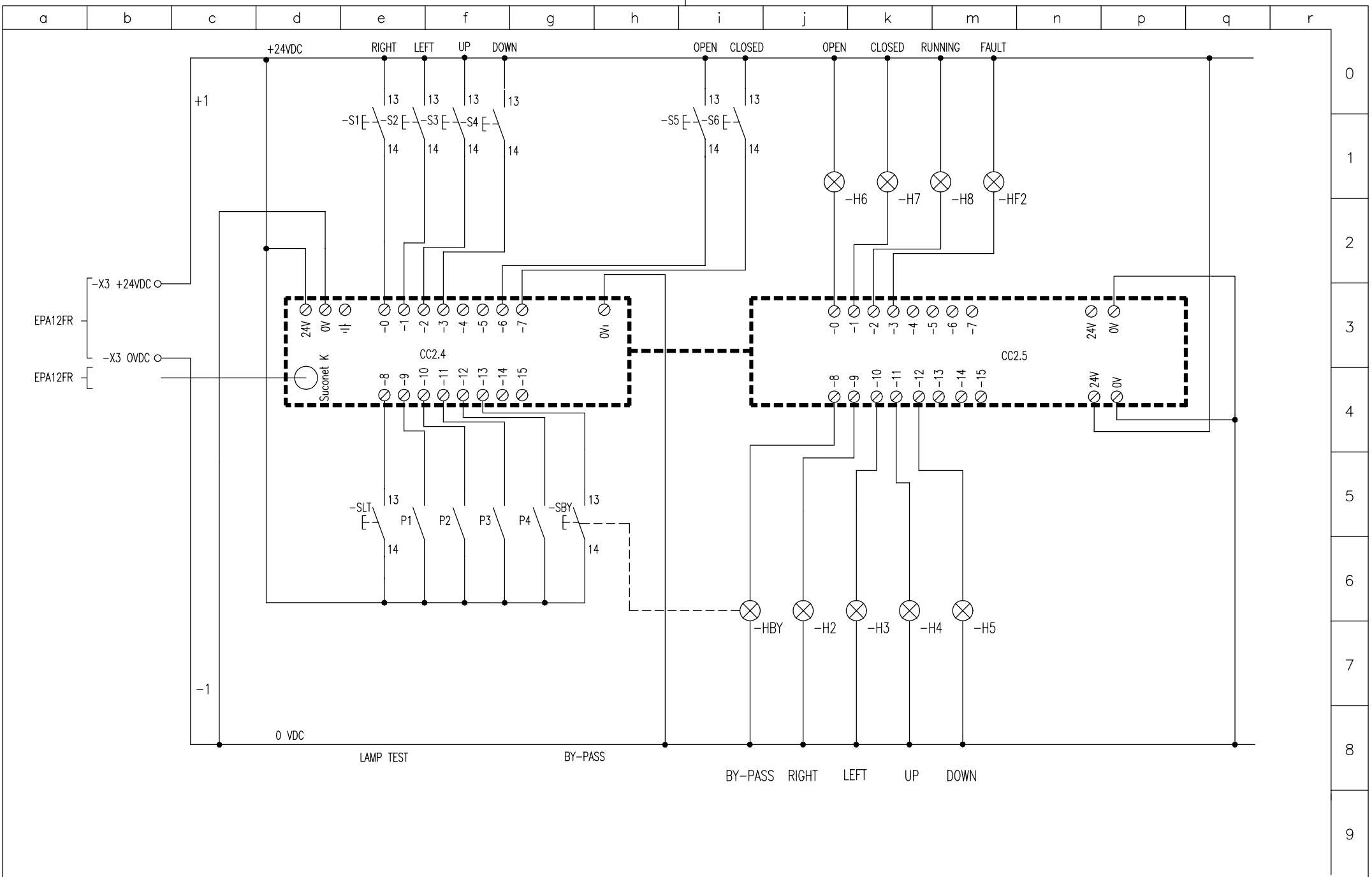


CACCIALANZA & C. s.p.a.
 ANTINCENDIO SICUREZZA ANTINQUINAMENTO
 SEGRATE (MILANO) - ITALY

TITLE
MONITOR 3 MOTIONS
 TYPE A2-A4-A6-A8/EL

CLIENT

		DATE	14.09.2001	DWG N°	46404511
		SCALE	/	PROJECT N°	
		DRAWN	An.T.		
0	ISSUED	14.09.01	CHECKED	ALT.	
REV.	MODIFY	DATE	APPROVED	A.M.	SHEET N°. 10 OF 14



CACCIALANZA & C. s.p.a.
 ANTINCENDIO SICUREZZA ANTINQUINAMENTO
 SEGRATE (MILANO) - ITALY

TITLE
 MONITOR 3 MOTIONS
 TYPE A2-A4-A6-A8/EL

CLIENT

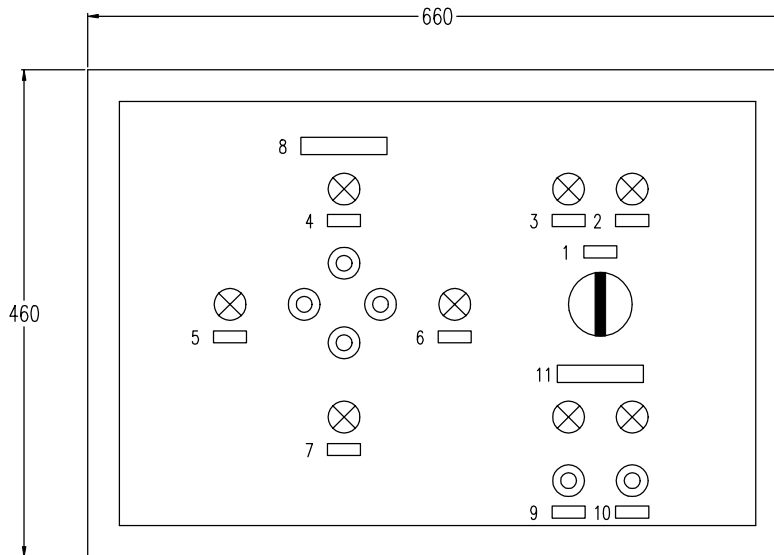
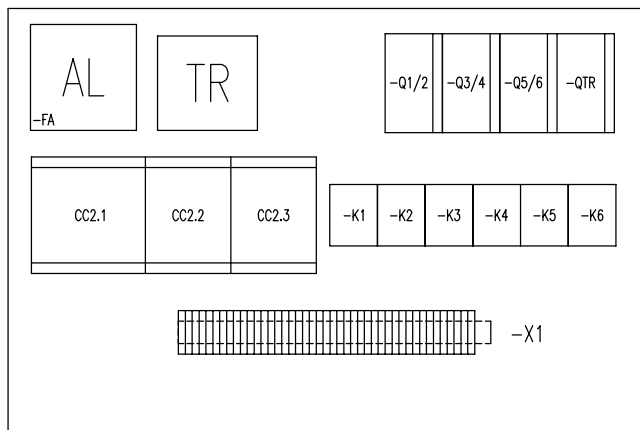
DATE	14.09.2001
SCALE	/
DRAWN	An.T.
CHECKED	ALT.
APPROVED	A.M.
REV.	MODIFY
0	ISSUED
14.09.01	

DWG N° 46404511

PROJECT N°

SHEET N. 11 OF 14

EPA12FR



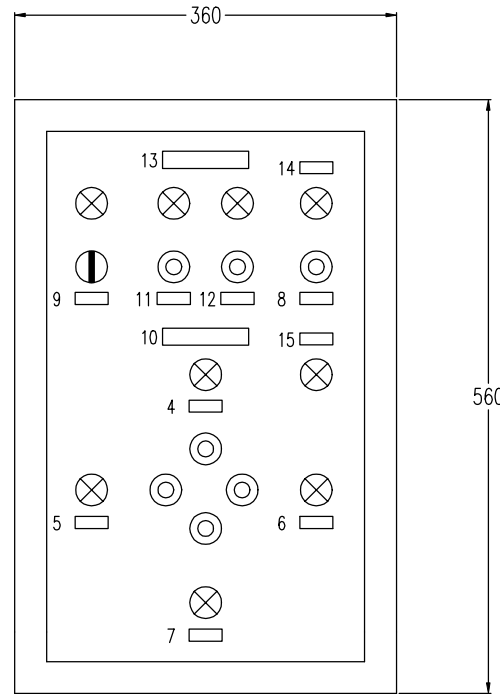
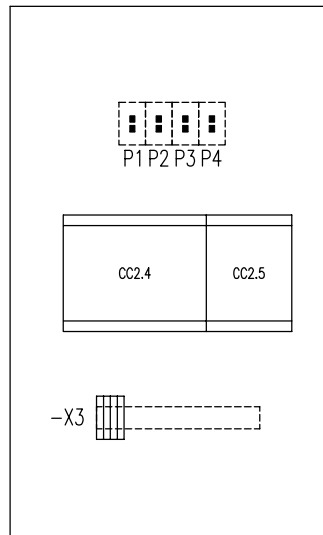
- 1 MAIN SWITCH (-IG)
- 2 RUNNING (-H1)
- 3 FAULT (-HF1)
- 4 UP (-H11-S3)
- 5 LEFT (-H10-S2)
- 6 RIGHT (-H9-S1)
- 7 DOWN (-H12-S4)
- 8 MONITOR -MO1.1
- 9 OPEN (-H13-S5)
- 10 CLOSED (-H14-S6)
- 11 VALVE -VA1

INTERNAL LAY-OUT

DEEP=350 mm

OUTLINE DIMENSIONS

EREPA03



- 4 UP (-H4 -S9)
- 5 LEFT (-H3 -S8)
- 6 RIGHT (-H2 -S7)
- 7 DOWN (-H5 -S10)
- 8 LAMP TEST (-SLT)
- 9 BY-PASS (-SBY -HBY)
- 10 MONITOR -M01.1
- 11 OPEN (-H6 -S11)
- 12 CLOSED (-H7 -S12)
- 13 VALVE -VA1
- 14 FAULT (-HF2)
- 15 RUNNING (-H8)

DEEP 260 mm