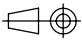


0	14.09.2001	ISSUED	An.T.	Al.T.	A.M.	
Rev.	Date	Description	Drawn	Checked	Approved	
<b>CACCIALANZA &amp; C.</b> <small>s.p.A.</small> ANTINCENDIO SICUREZZA ANTINUQUINAMENTO SEGRATE (MILANO) - ITALY		Client / Project				
		Title				
	Date	Name	PANEL 1 MONITOR (2 MOV.) AND MO VALVE WITH NOZZLE/DEFLECTOR EExd-IIB T3-T6 EXECUTION WITH SEPARATE COMMAND BOX			
Drawn	14.09.2001	An.T.				
Checked	14.09.2001	Al.T.				
Approved	14.09.2001	A.M.				
Code	Sys.	Size	Scale	Dwg nr.	Rev.	Sheet
		A3	/	46404221	0	1
						of 14
THIS DRAWING IS THE PROPERTY OF CACCIALANZA & C. S.p.A. AND IS NOT TO BE REPRODUCED OR USED TO FURNISH ANY INFORMATION FOR MAKING OF DRAWINGS OR APPARATUS EXCEPT WHERE PROVIDED FOR BY AGREEMENT WITH SAID COMPANY						

SHEET	DESCRIPTION	MODIFY								SHEET	DESCRIPTION	MODIFY								
		A	B	C	D	E	F	G	H			I	A	B	C	D	E	F	G	H
1	COVER	0								29										
2	MODYFY TABLE	0								30										
3	TECHNICAL DATA	0								31										
4	WIRE COLOUR TABLE	0								32										
5	POWER WIRING SPA01RE	0								33										
6	MAIN SUPPLY SPA01RE	0								34										
7	-M01.1 WIRING RIGHT/LEFT	0								35										
8	-M01.2 WIRING UP/DOWN	0								36										
9	-N1 WIRING	0								37										
10	-VA1 WIRING	0								38										
11	SWITCES AND LAMPS WIRING	0								39										
12	EPA11RE-EPAR1 TERMINAL CONNECTIONS	0								40										
13	EPA11FR LAY OUT AND FRONT PANEL	0								41										
14	EPAR1 LAY OUT AND FRONT PANEL	0								42										
15										43										
16										44										
17										45										
18										46										
19										47										
20										48										
21										49										
22										50										
23										51										
24										52										
25										53										
26										54										
27										55										
28										56										

**CACCIALANZA & C. s.p.a.**  
 ANTINCENDIO SICUREZZA ANTINQUINAMENTO  
 SEGRATE (MILANO) - ITALY

TITLE  
**MONITOR 4 MOTIONS**  
**TYPE A2-A4-A6-A8/EL**

CLIENT

DATE	14.09.2001
SCALE	/
DRAWN	An.T.
0 ISSUED	14.09.01 CHECKED A.T.
REV.	MODIFY DATE APPROVED A.M.

DWG N° **46404221**  
 PROJECT N°  
 SHEET N° 2 OF 14

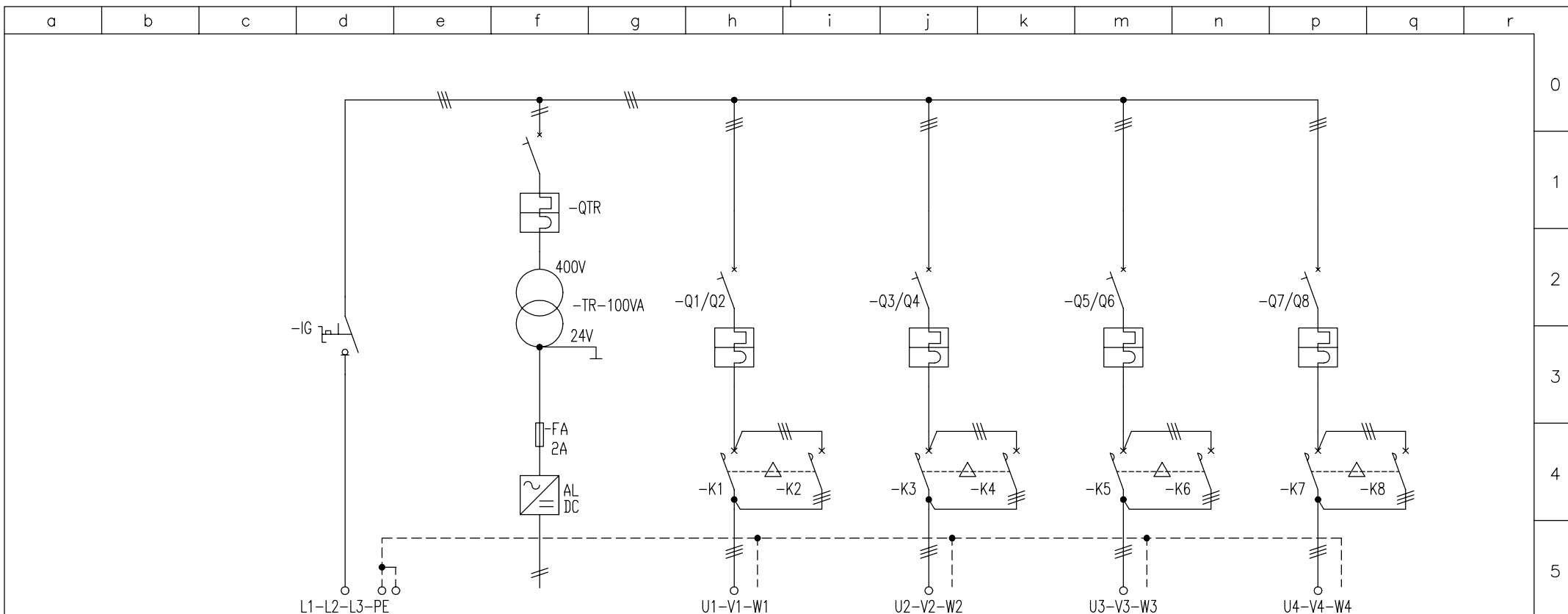
a b c d e f g h i j k m n p q r

0  
1  
2  
3  
4  
5  
6  
7  
8  
9

PANEL BOARD TECHNICAL DATA		
RATED SERVICE VOLTAGE:.....400V	TYPE OF SEGREGATION:.....FORM 1	TEMPERATURE:.....40°C
RATED INSULATION VOLTAGE:.....500V	INSTALLATION:.....OUTDOOR	DEGREE OF PROTECTION:..EExd-IIB T3-T6
RATED FREQUENCY:.....50Hz	COMPLIANCE WITH STANDARD:.....CEI 17/13.1	COLOR:.....ALUMINIUM
ELECTRICAL SYSTEM:.....3Ph+PE	IN/OUT CABLES:.....BOTTOM	

<b>CACCIALANZA &amp; C. s.p.a</b> ANTINCENDIO SICUREZZA ANTINQUINAMENTO SEGRATE (MILANO) - ITALY	TITLE	CLIENT	DATE	14.09.2001	DWG N°	46404221			
	<b>MONITOR 4 MOTIONS</b> <b>TYPE A2-A4-A6-A8/EL</b>		SCALE	/	DRAWN	An.T.	PROJECT N°		
			0	ISSUED	14.09.01	CHECKED		ALT.	
			REV.	MODIFY	DATE	APPROVED	A.M.	SHEET N°	3 OF 14

POWER CIRCUIT		AUXILIARY CIRCUIT	
MIN. SECTION 2,5mmq		MIN. SECTION 1,5mmq	
CONDUCTOR		CONDUCTOR	
PHASES	BLACK	24V - C.A.	RED
NEUTRAL	LIGHT BLUE	110V - A.C	RED
GROUND	YELLOW-GREEN	220V - A.C	BLACK
		24V - D.C	BLUE
WIRE COLOUR TABLE			



USE	CIRCUIT		n?		MAIN SUPPLY		RIGHT/LEFT MONITOR MO1.1		UP/DOWN MONITOR MO1.2		NOZZLE -N1		VALVE -VA1	
	DESCRIPTION		Kw	A	1,9	3,8	0,45	0,9	0,45	0,9	0,45	0,9	0,45	0,9
ELECTRICAL EQUIPMENT	SWITCH	TYPE	P1-25 /Z		.....		.....		.....		.....		.....	
		RATED CURRENT - N. POLES	A	n?	25	3	.....		.....		.....		.....	
		BREAKING CAPACITY	V	KA	400		.....		.....		.....		.....	
		SETTING CURRENT MAG. ELEMENT	A											
		SETTING CURRENT THE. ELEMENT	A											
	THERMAL RELAY	TYPE	DILER40//G(24VDC)		DILER40//G(24VDC)		DILER40//G(24VDC)		DILER40//G(24VDC)		DILER40//G(24VDC)		DILER40//G(24VDC)	
		RATED CURRENT	A											
		UTILIZATION CATEGORY	AC-3		AC-3		AC-3		AC-3		AC-3		AC-3	
		SETTING RANGE	A											
		SETTING CURRENT	A											
FUSEHOLDER	TYPE & CURRENT		A											
	FUSES - TYPE & SETTING CURRENT		A											
	AMMETER													
LINE	VOLTMETER													
	CABLE	TYPE												
		SECTION	mmq				(4G2,5)		(4G2,5)		(4G2,5)		(4G2,5)	
		LANCE	mt											
RATED CURRENT(Iz)		A												

**CACCIALANZA & C. s.p.a**  
 ANTINCENDIO SICUREZZA ANTINQUINAMENTO  
 SEGRATE (MILAND) - ITALY

TITLE  
**MONITOR 4 MOTIONS**  
 TYPE A2-A4-A6-A8/EL

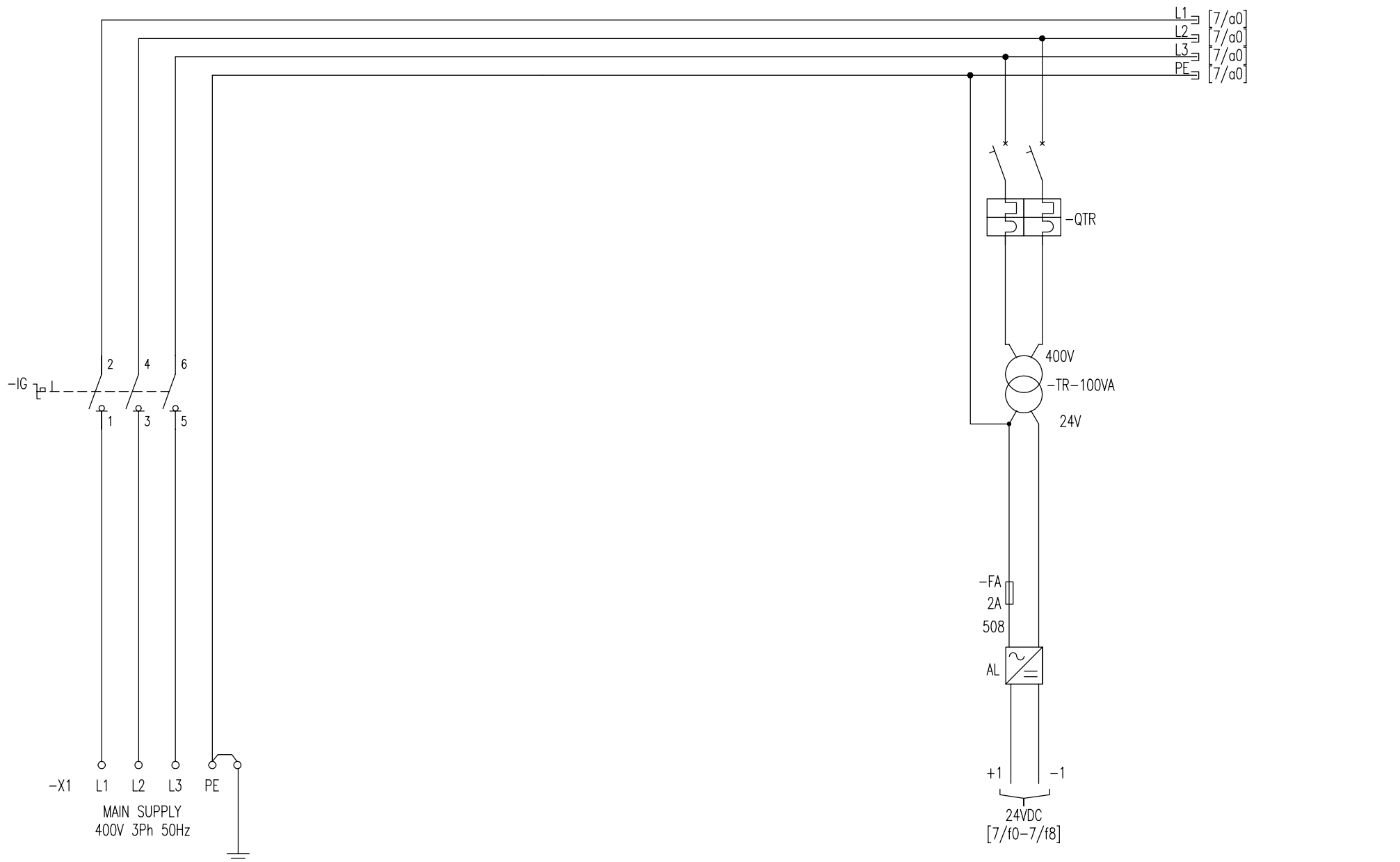
CLIENT

DATE	14.09.2001
SCALE	/
DRAWN	An.T.
CHECKED	AL.T.
APPROVED	A.M.

DWG N° **46404221**  
 PROJECT N°  
 SHEET N. 5 OF 14

0	ISSUED	14.09.01
REV.	MODIFY	DATE

a b c d e f g h i j k m n p q r



L1 [7/a0]  
 L2 [7/a0]  
 L3 [7/a0]  
 PE [7/a0]

-IG L  
 2 4 6  
 1 3 5

-X1 L1 L2 L3 PE  
 MAIN SUPPLY  
 400V 3Ph 50Hz

400V  
 -TR-100VA  
 24V  
 -FA  
 2A  
 508  
 AL  
 +1 -1  
 24VDC  
 [7/t0-7/t8]

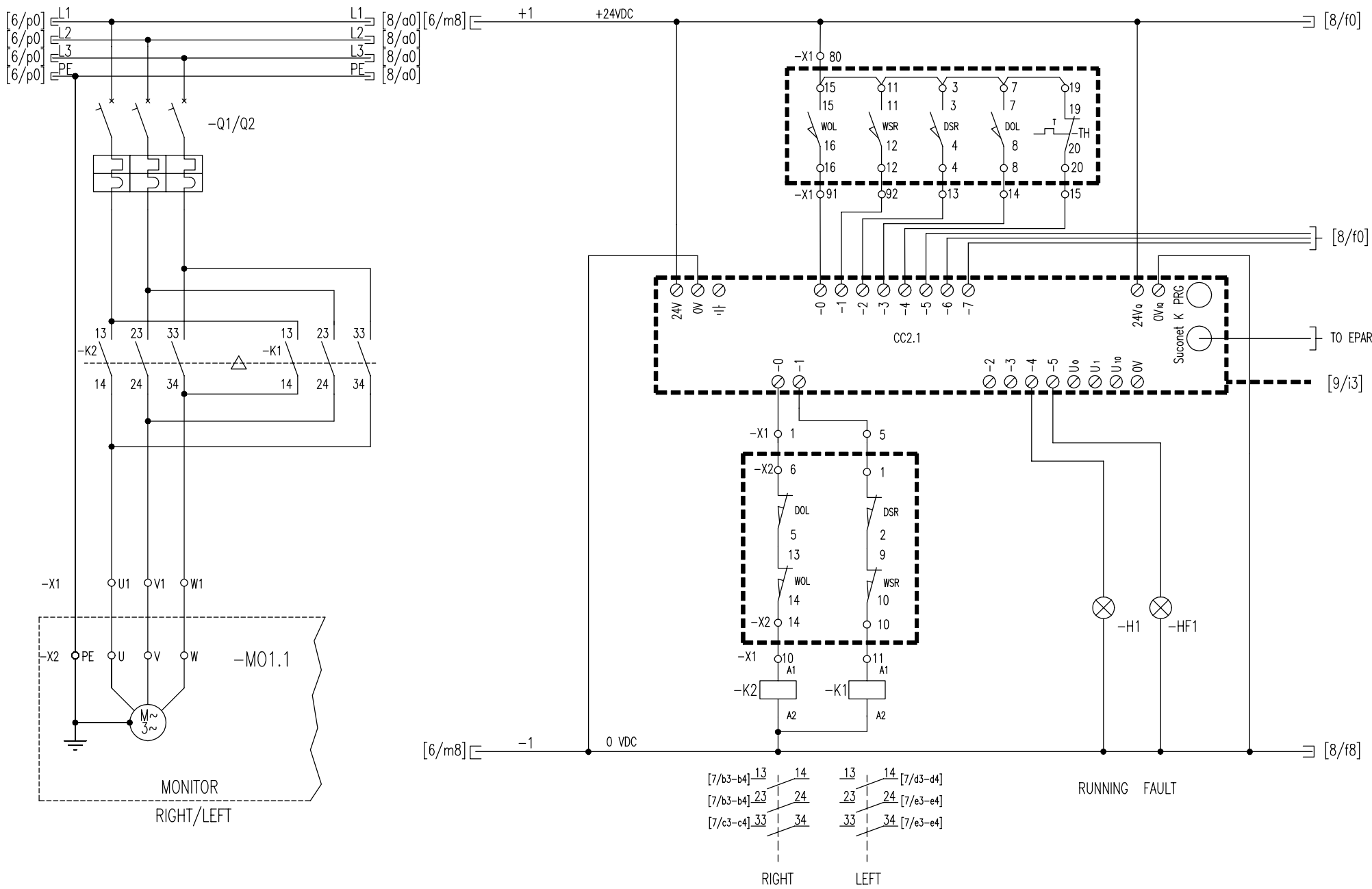
0  
 1  
 2  
 3  
 4  
 5  
 6  
 7  
 8  
 9

CACCIALANZA & C. s.p.a.  
 ANTINCENDIO SICUREZZA ANTINQUINAMENTO  
 SEGRATE (MILANO) - ITALY

TITLE  
 MONITOR 4 MOTIONS  
 TYPE A2-A4-A6-A8/EL

CLIENT

			DATE	14.09.2001	DWG N°	46404221
			SCALE	/	PROJECT N°	
			DRAWN	An.T.		
0	ISSUED	14.09.01	CHECKED	AL.T.		
REV.	MODIFY	DATE	APPROVED	A.M.	SHEET N°	6 OF 14



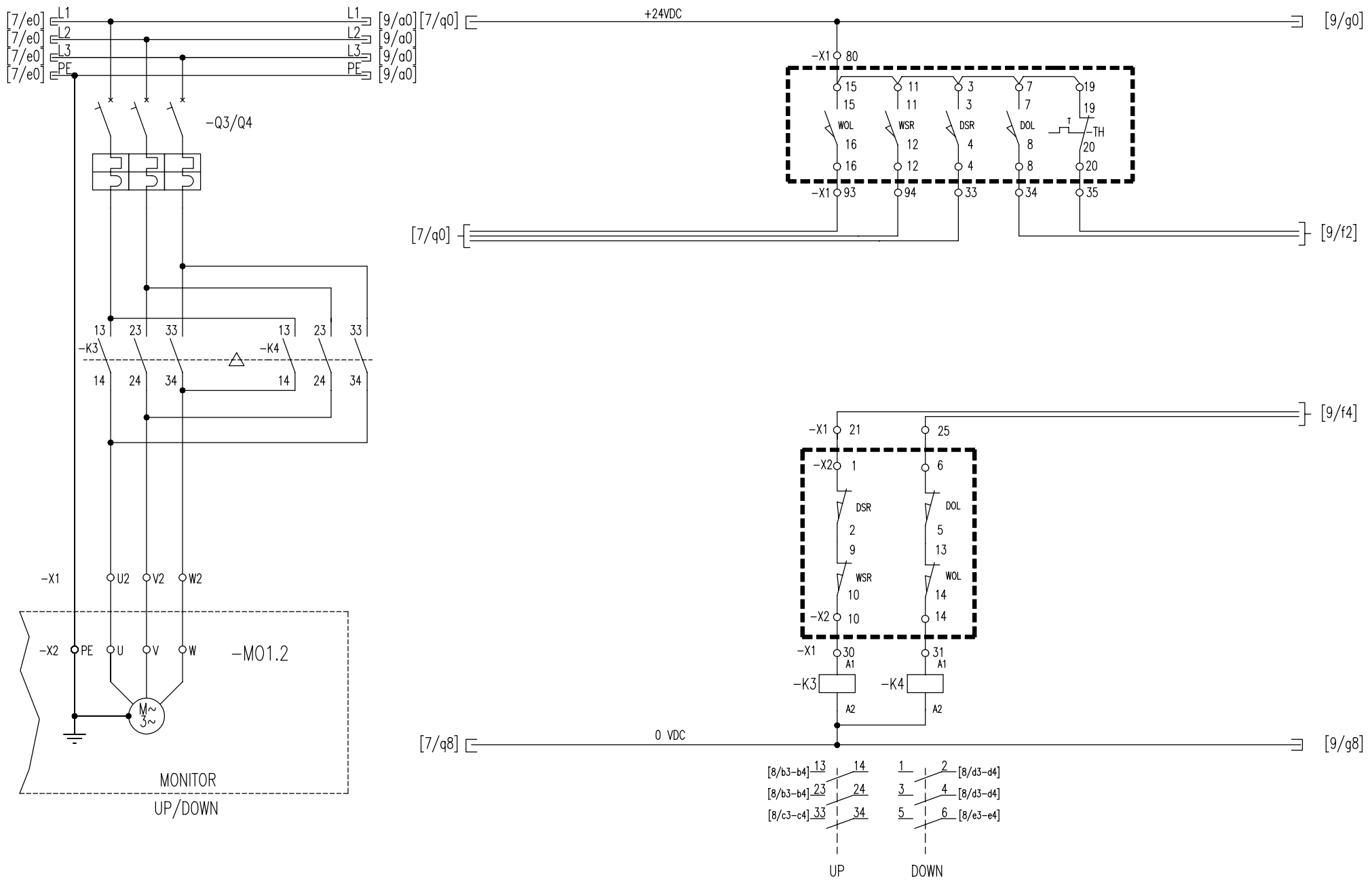
CACCIALANZA & C. s.p.a.  
ANTINCENDIO SICUREZZA ANTINQUINAMENTO  
SEGRATE (MILAND) - ITALY

TITLE  
MONITOR 4 MOTIONS  
TYPE A2-A4-A6-A8/EL

CLIENT

DATE	14.09.2001
SCALE	/
DRAWN	An.T.
CHECKED	AL.T.
APPROVED	A.M.
REV.	MODIFY
DATE	14.09.01

DWG N° 46404221  
PROJECT N°  
SHEET N. 7 OF 14



CACCIALANZA & C. s.p.a  
ANTINCENDIO SICUREZZA ANTINQUINAMENTO  
SEGRATE (MILANO) - ITALY

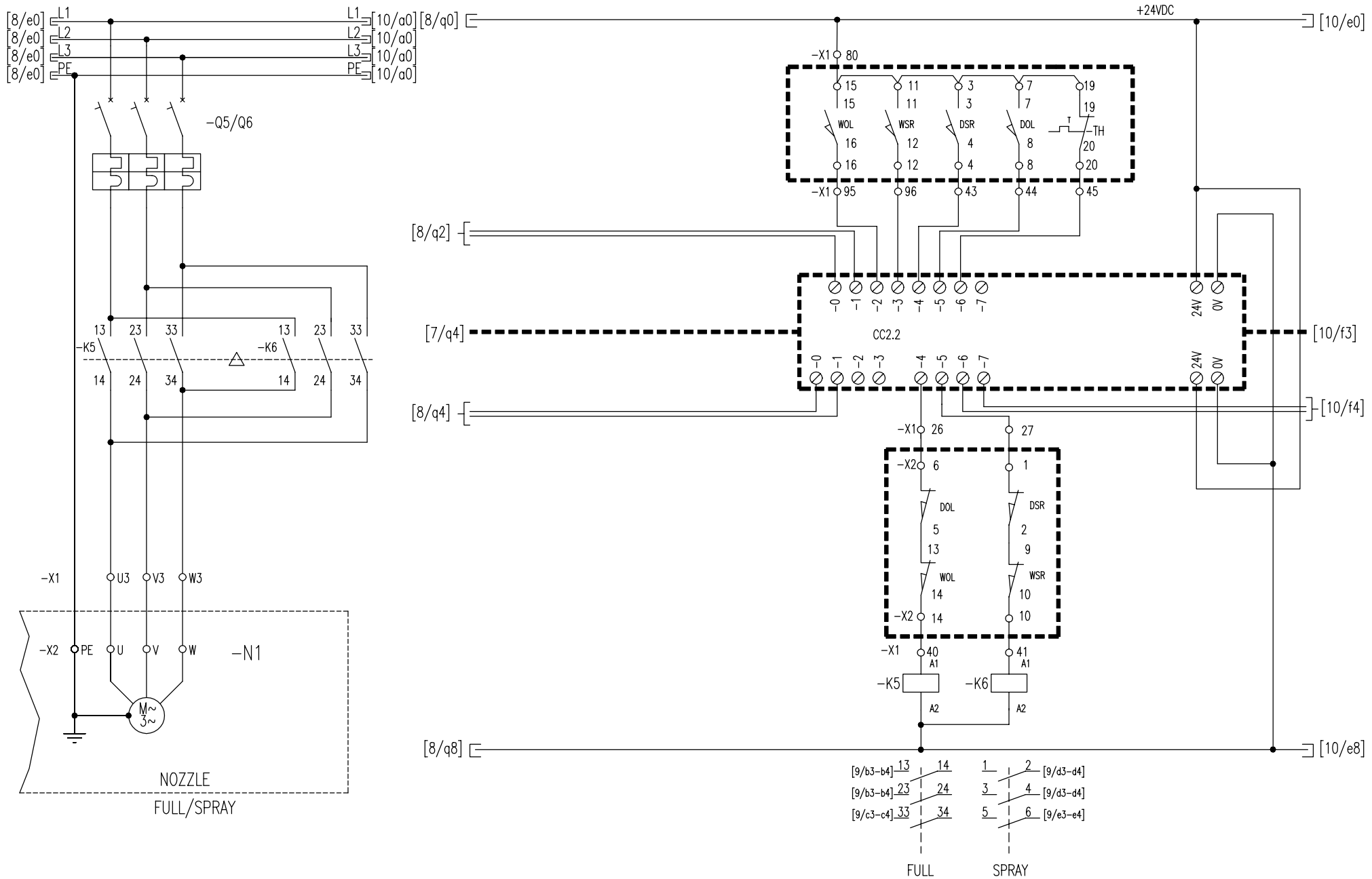
TITLE  
MONITOR 4 MOTIONS  
TYPE A2-A4-A6-A8/EL

CLIENT

DATE	14.09.2001
SCALE	/
DRAWN	An.T.
CHECKED	AL.T.
APPROVED	A.M.
REV.	MODIFY
DATE	14.09.01

DWG N° 46404221  
PROJECT N°  
SHEET N. 8 OF 14





CACCIALANZA & C. s.p.a.  
ANTINCENDIO SICUREZZA ANTINQUINAMENTO  
SEGRATE (MILANO) - ITALY

TITLE  
MONITOR 4 MOTIONS  
TYPE A2-A4-A6-A8/EL

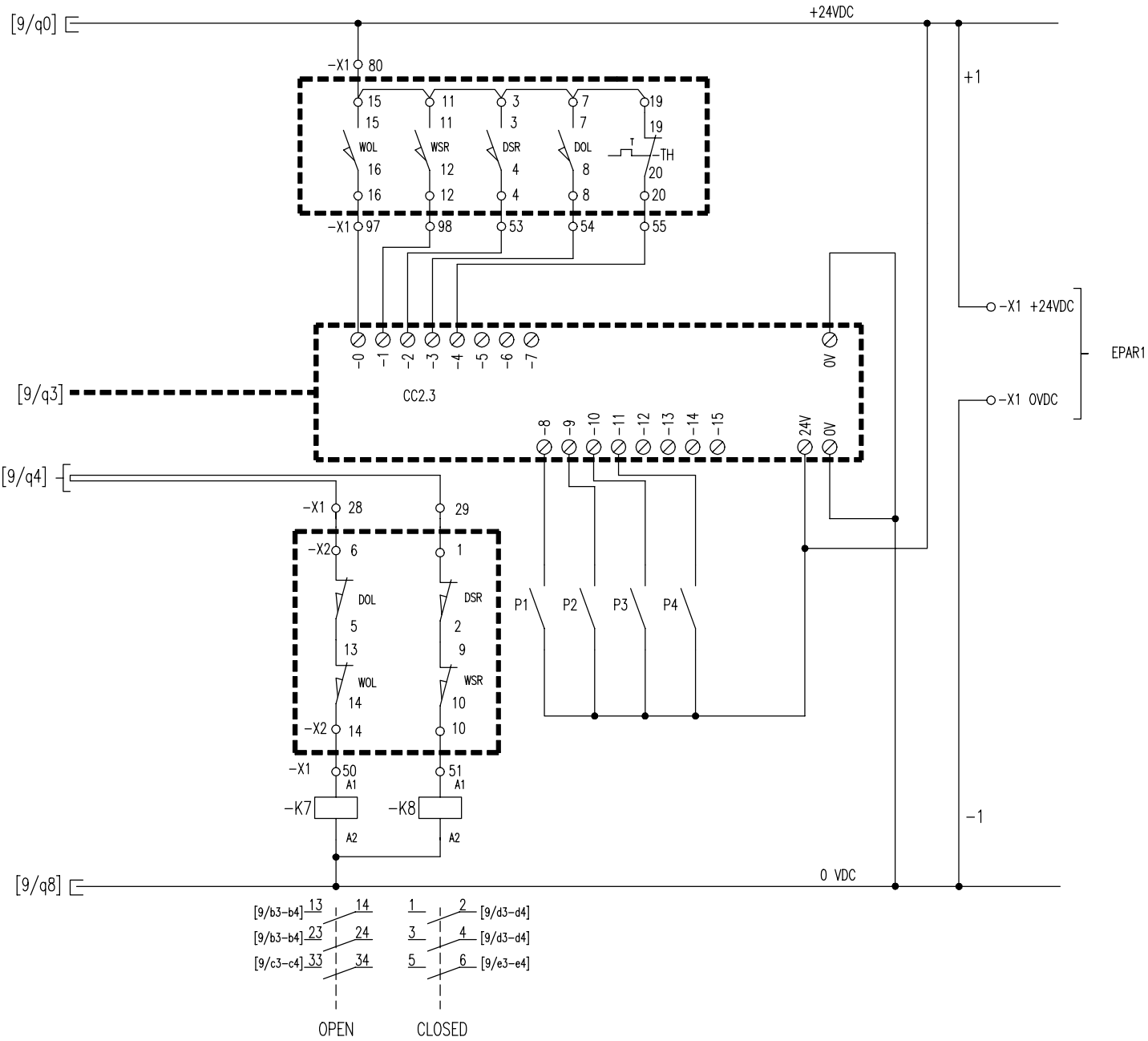
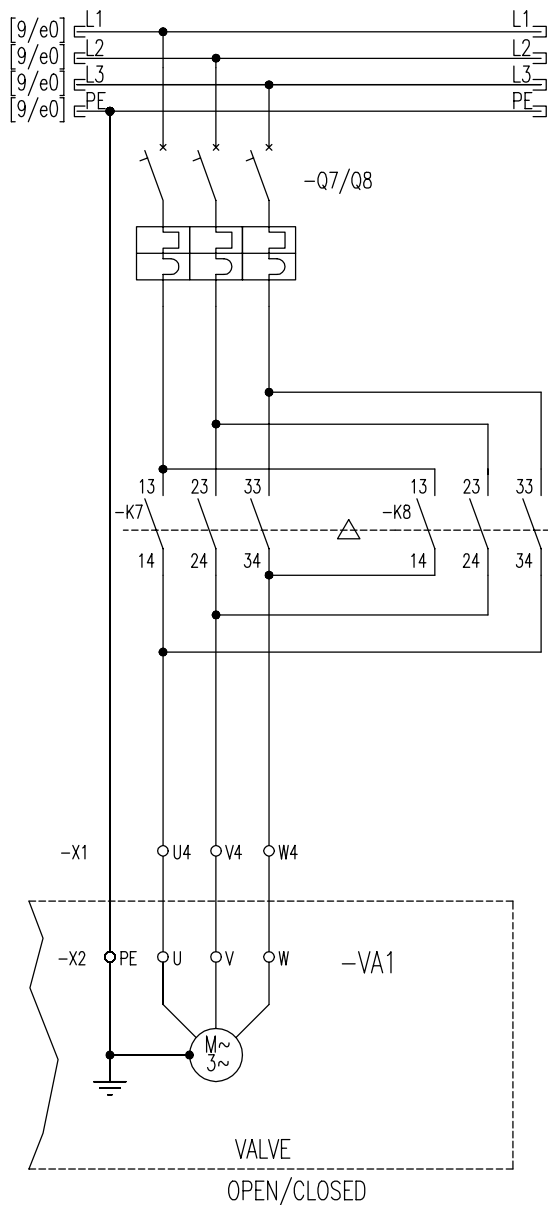
CLIENT

DATE	14.09.2001
SCALE	/
DRAWN	An.T.
CHECKED	AL.T.
APPROVED	A.M.
REV.	MODIFY
DATE	APPROVED

DWG N° 46404221

PROJECT N°

SHEET N. 9 OF 14



0  
1  
2  
3  
4  
5  
6  
7  
8  
9

EPAR1

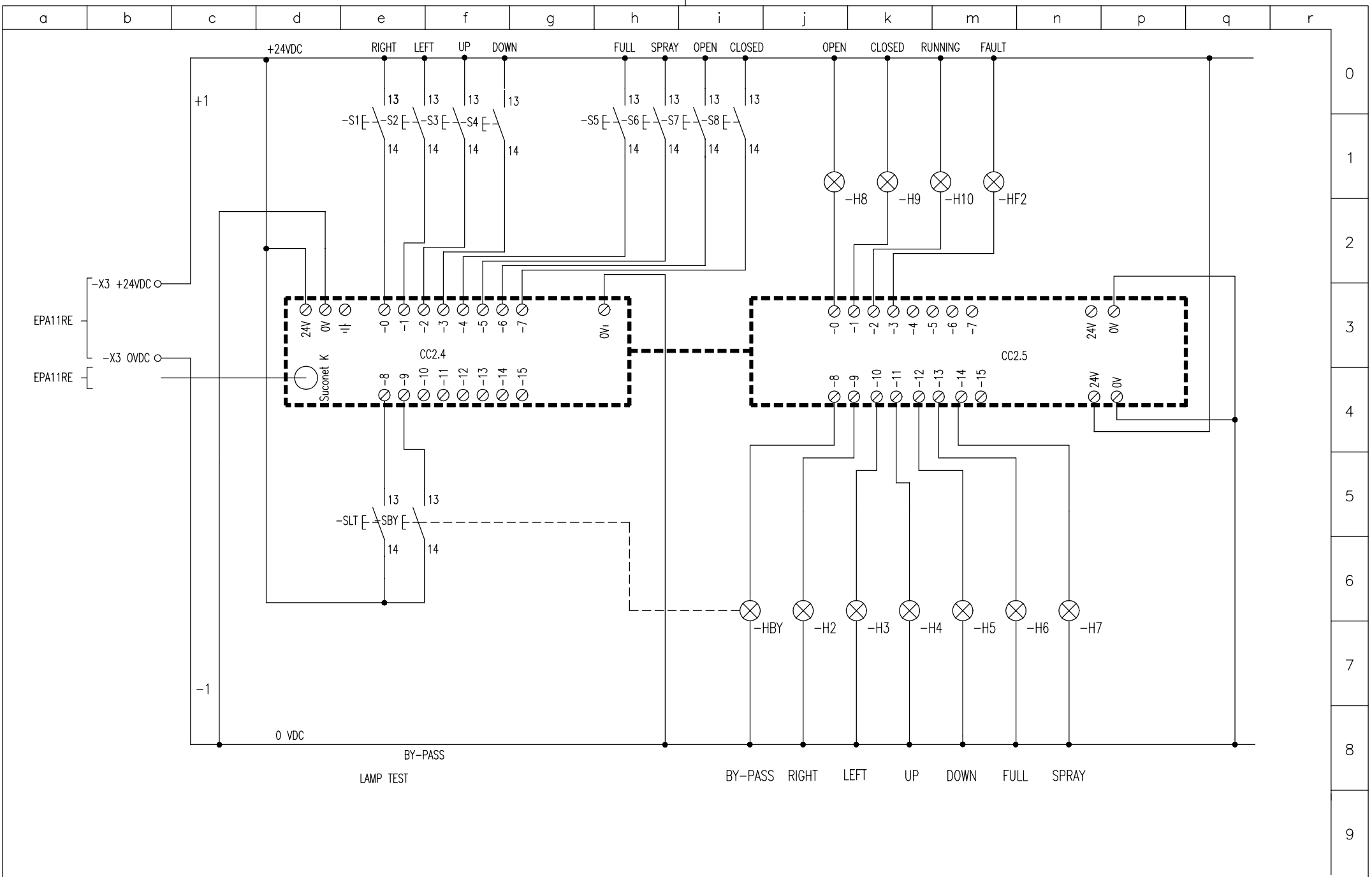
**CACCIALANZA & C. s.p.a.**  
ANTINCENDIO SICUREZZA ANTINQUINAMENTO  
SEGRATE (MILAND) - ITALY

TITLE  
**MONITOR 4 MOTIONS**  
TYPE A2-A4-A6-A8/EL

CLIENT

DATE	14.09.2001
SCALE	/
DRAWN	An.T.
CHECKED	AL.T.
APPROVED	A.M.
REV.	MODIFY
DATE	14.09.01

DWG N° **46404221**  
PROJECT N°  
SHEET N°. 10 OF 14



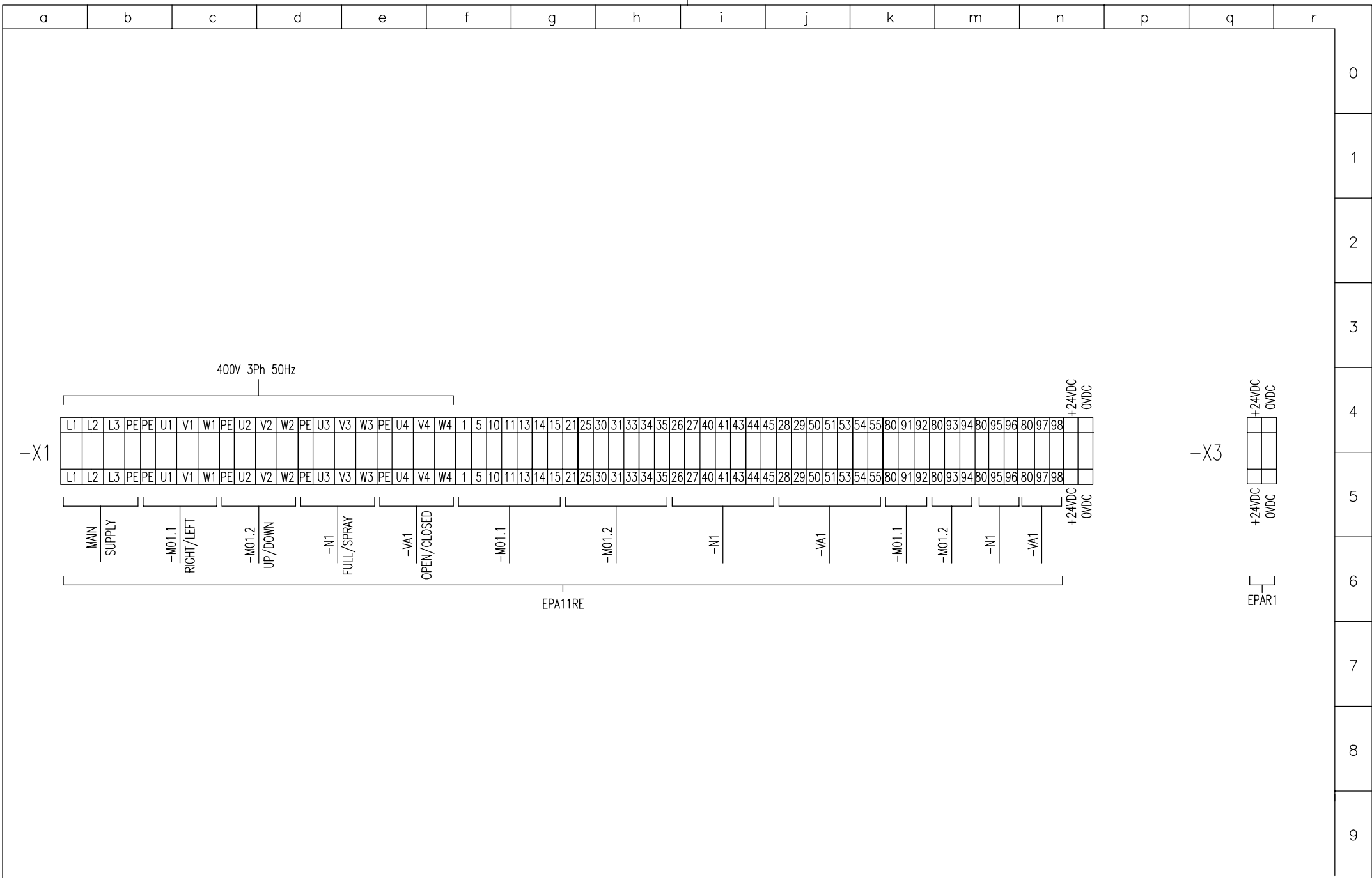
CACCIALANZA & C. s.p.a.  
 ANTINCENDIO SICUREZZA ANTINQUINAMENTO  
 SEGRATE (MILANO) - ITALY

TITLE  
 MONITOR 4 MOTIONS  
 TYPE A2-A4-A6-A8/EL

CLIENT

DATE	14.09.2001
SCALE	/
DRAWN	An.T.
CHECKED	ALT.
APPROVED	A.M.
REV.	MODIFY
0	ISSUED
14.09.01	CHECKED

DWG N° 46404221  
 PROJECT N°  
 SHEET N. 11 OF 14



**CACCIALANZA & C. s.p.a.**  
 ANTINCENDIO SICUREZZA ANTINQUINAMENTO  
 SEGRATE (MILANO) - ITALY

TITLE  
**MONITOR 4 MOTIONS**  
 TYPE A2-A4-A6-A8/EL

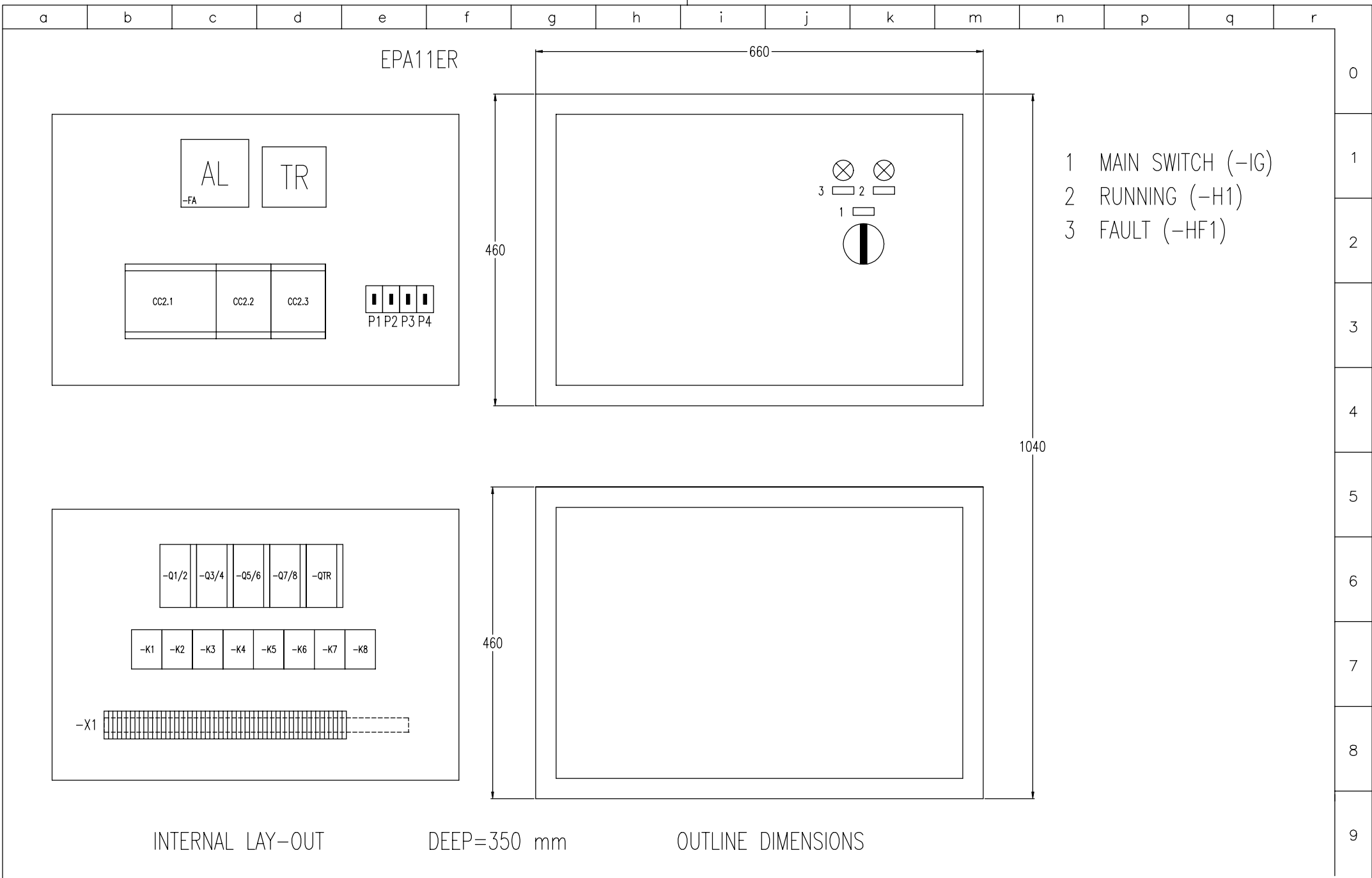
CLIENT

DATE	14.09.2001
SCALE	/
DRAWN	An.T.
CHECKED	ALT.
APPROVED	A.M.
REV.	MODIFY
DATE	

DWG N° **46404221**

PROJECT N°

SHEET N°. 12 OF 14



- 1 MAIN SWITCH (-IG)
- 2 RUNNING (-H1)
- 3 FAULT (-HF1)

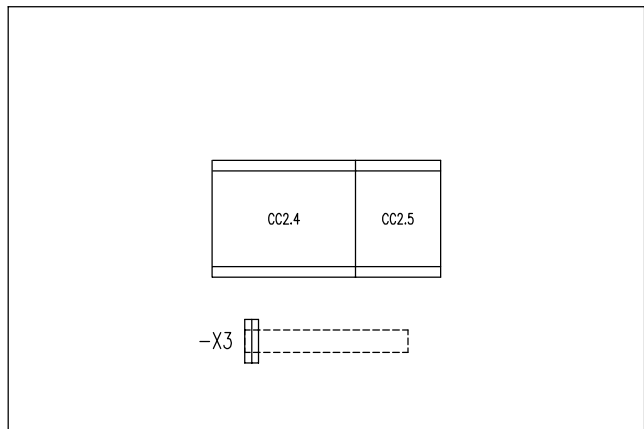
**CACCIALANZA & C. s.p.a.**  
 ANTINCENDIO SICUREZZA ANTINQUINAMENTO  
 SEGRATE (MILANO) - ITALY

TITLE  
**MONITOR 4 MOTIONS**  
 TYPE A2-A4-A6-A8/EL

CLIENT

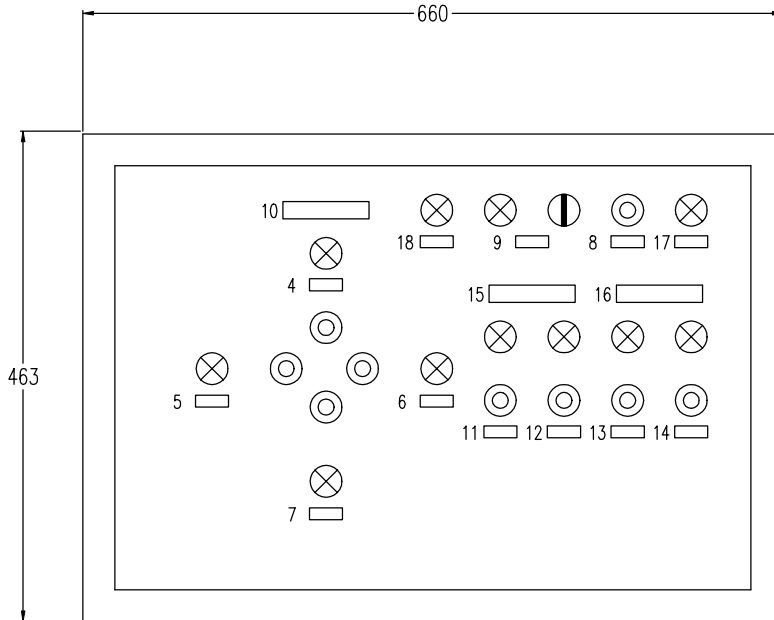
			DATE	14.09.2001	DWG N°	46404221
			SCALE	/	PROJECT N°	
			DRAWN	An.T.		
0	ISSUED	14.09.01	CHECKED	ALT.		
REV.	MODIFY	DATE	APPROVED	A.M.	SHEET N°	13 OF 14

EPAR1



INTERNAL LAY-OUT

DEEP=350 mm



OUTLINE DIMENSIONS

- 4 UP (-H4 -S3)
- 5 LEFT (-H3 -S2)
- 6 RIGHT (-H2 -S1)
- 7 DOWN (-H5 -S4)
- 8 LAMP TEST (-SLT)
- 9 BY-PASS (-SBY -HBY)
- 10 MONITOR -M01.1
- 11 FULL (-H6 -S5)
- 12 SPRAY (-H7 -S6)
- 13 OPEN (-H8 -S7)
- 14 CLOSED (-H9 -S8)
- 15 NOZZLE -N1
- 16 VALVE -VA1
- 17 FAULT (-HF2)
- 18 RUNNING (-H10)

0  
1  
2  
3  
4  
5  
6  
7  
8  
9