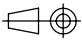


0	14.09.2001	ISSUED	An.T.	Al.T.	A.M.
Rev.	Date	Description	Drawn	Checked	Approved
<b>CACCIALANZA &amp; C.</b> <small>s.p.A.</small> ANTINCENDIO SICUREZZA ANTINQUINAMENTO SEGRATE (MILAND) - ITALY		Client / Project			
		Title			
	Date	Name	PANEL 1 MONITOR (2 MOV.) AND MO VALVE EExd-IIB T3-T6 EXECUTION WITH SEPARATE COMMAND BOX		
Drawn	14.09.2001	An.T.			
Checked	14.09.2001	Al.T.			
Approved	14.09.2001	A.M.			
Code	Sys.	Size	Scale	Dwg nr.	Rev.
		A3	/	46404211	0
					Sheet 1
					of 13
THIS DRAWING IS THE PROPERTY OF CACCIALANZA & C. S.p.A. AND IS NOT TO BE REPRODUCED OR USED TO FURNISH ANY INFORMATION FOR MAKING OF DRAWINGS OR APPARATUS EXCEPT WHERE PROVIDED FOR BY AGREEMENT WITH SAID COMPANY					

a	b	c	d	e	f	g	h	i	j	k	m	n	p	q	r												
SHEET	DESCRIPTION						MODIFY					SHEET	DESCRIPTION						MODIFY					0			
							A	B	C	D	E								F	G	H	I	A		B	C	D
1	COVER						0						29														
2	MODIFY TABLE						0						30														
3	TECHNICAL DATA						0						31														
4	WIRE COLOUR TABLE						0						32														
5	POWER WIRING						0						33														
6	MAIN SUPPLY						0						34														
7	-M01.1 WIRING RIGHT/LEFT						0						35														
8	-M01.2 WIRING UP/DOWN						0						36														
9	-VA1 WIRING / WIRING RUNNING AND FAULT LAMP						0						37														
10	SWITCHES AND LAMPS WIRING						0						38														
11	EPA11RE-EPAR1 TERMINAL CONNECTIONS						0						39														
12	EPA11RE LAY OUT AND FRONT PANEL						0						40														
13	EPAR1 LAY OUT AND FRONT PANEL						0						41														
14													42														
15													43														
16													44														
17													45														
18													46														
19													47														
20													48														
21													49														
22													50														
23													51														
24													52														
25													53														
26													54														
27													55														
28													56														

<b>CACCIALANZA &amp; C. s.p.a</b> ANTINCENDIO SICUREZZA ANTINQUINAMENTO SEGRATE (MILANO) - ITALY	TITLE		CLIENT		DATE	14.09.2001	DWG N°	46404211
	MONITOR 3 MOTIONS				SCALE	/	PROJECT N°	
	TYPE A2-A4-A6-A8/EL				DRAWN	AN.T.		
					0	ISSUED	14.09.01	CHECKED
				REV.	MODIFY	DATE	APPROVED	A.M.
								SHEET N° 2 OF 13

a b c d e f g h i j k m n p q r

0  
1  
2  
3  
4  
5  
6  
7  
8  
9

PANEL BOARD TECHNICAL DATA		
RATED SERVICE VOLTAGE:.....400V	TYPE OF SEGREGATION:.....FORM 1	TEMPERATURE:.....40°C
RATED INSULATION VOLTAGE:.....500V	INSTALLATION:.....OUTDOOR	DEGREE OF PROTECTION:EEXd-IIB T3-T6
RATED FREQUENCY:.....50Hz	COMPLIANCE WITH STANDARD:.....CEI 17/13.1	COLOR:.....ALUMINIUM
ELECTRICAL SYSTEM:.....3Ph+PE	IN/OUT CABLES:.....BOTTOM	

<b>CACCIALANZA &amp; C. s.p.a</b> ANTINCENDIO SICUREZZA ANTINQUINAMENTO SEGRATE (MILANO) - ITALY	TITLE	CLIENT	DATE	14.09.2001	DWG N°	46404211	
	MONITOR 3 MOTIONS		SCALE	/	PROJECT N°		
	TYPE A2-A4-A6-A8/EL		DRAWN	An.T.			
			0	ISSUED	14.09.01	CHECKED	ALT.
			REV.	MODIFY	DATE	APPROVED	A.M.
					SHEET N°	3 OF 13	

a b c d e f g h i j k m n p q r

0  
1  
2  
3  
4  
5  
6  
7  
8  
9

POWER CIRCUIT		AUXILIARY CIRCUIT	
MIN. SECTION 2,5mmq		MIN. SECTION 1,5mmq	
CONDUCTOR		CONDUCTOR	
PHASES	BLACK	24V - C.A.	RED
NEUTRAL	LIGHT BLUE	110V - A.C	RED
GROUND	YELLOW-GREEN	220V - A.C	BLACK
		24V - D.C	BLUE
WIRE COLOUR TABLE			

**CACCIALANZA & C. s.p.a**  
 ANTINCENDIO SICUREZZA ANTINQUINAMENTO  
 SEGRATE (MILANO) - ITALY

TITLE  
**MONITOR 3 MOTIONS**  
 TYPE A2-A4-A6-A8/EL

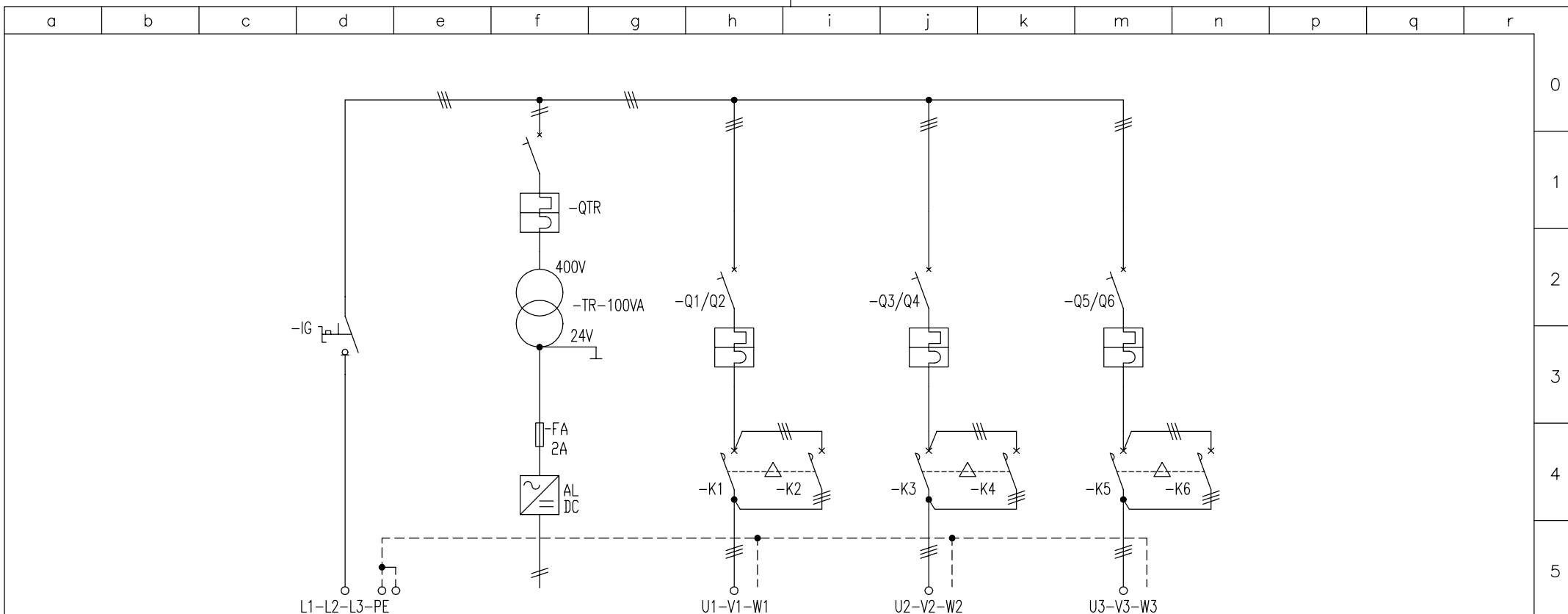
CLIENT

			DATE	14.09.2001
			SCALE	/
			DRAWN	An.T.
0	ISSUED	14.09.01	CHECKED	AL.T.
REV.	MODIFY	DATE	APPROVED	A.M.

DWG N° **46404211**

PROJECT N°

SHEET N° 4 OF 13



USE	CIRCUIT		n?		MAIN SUPPLY		RIGHT/LEFT MONITOR M01.1		UP/DOWN MONITOR M01.2		VALVE -VA1	
	DESCRIPTION		Kw	A	1,45	2,9	0,45	0,9	0,45	0,9	0,45	0,9
ELECTRICAL EQUIPMENT	SWITCH	TYPE	P1-25 /Z				.....		.....		.....	
		RATED CURRENT - N. POLES	A	n?	25	3						
		BREAKING CAPACITY	V	KA	400							
		SETTING CURRENT MAG. ELEMENT	A									
		SETTING CURRENT THE. ELEMENT	A									
	CON-FACTOR	TYPE			DILER40//G(24VDC)		DILER40//G(24VDC)		DILER40//G(24VDC)			
		RATED CURRENT	A									
		UTILIZATION CATEGORY			AC-3		AC-3		AC-3			
	THERMAL RELAY	TYPE										
		SETTING RANGE	A									
FUSEHOLDER - TYPE & CURRENT	SETTING CURRENT	A										
	FUSES - TYPE & SETTING CURRENT	A										
LINE	AMMETER											
	VOLTMETER											
CABLE	TYPE											
	SECTION	mmq				(4G2,5)		(4G2,5)		(4G2,5)		
	LANCE	mt										
	RATED CURRENT(Iz)	A										

**CACCIALANZA & C. s.p.a**  
 ANTINCENDIO SICUREZZA ANTINQUINAMENTO  
 SEGRATE (MILAND) - ITALY

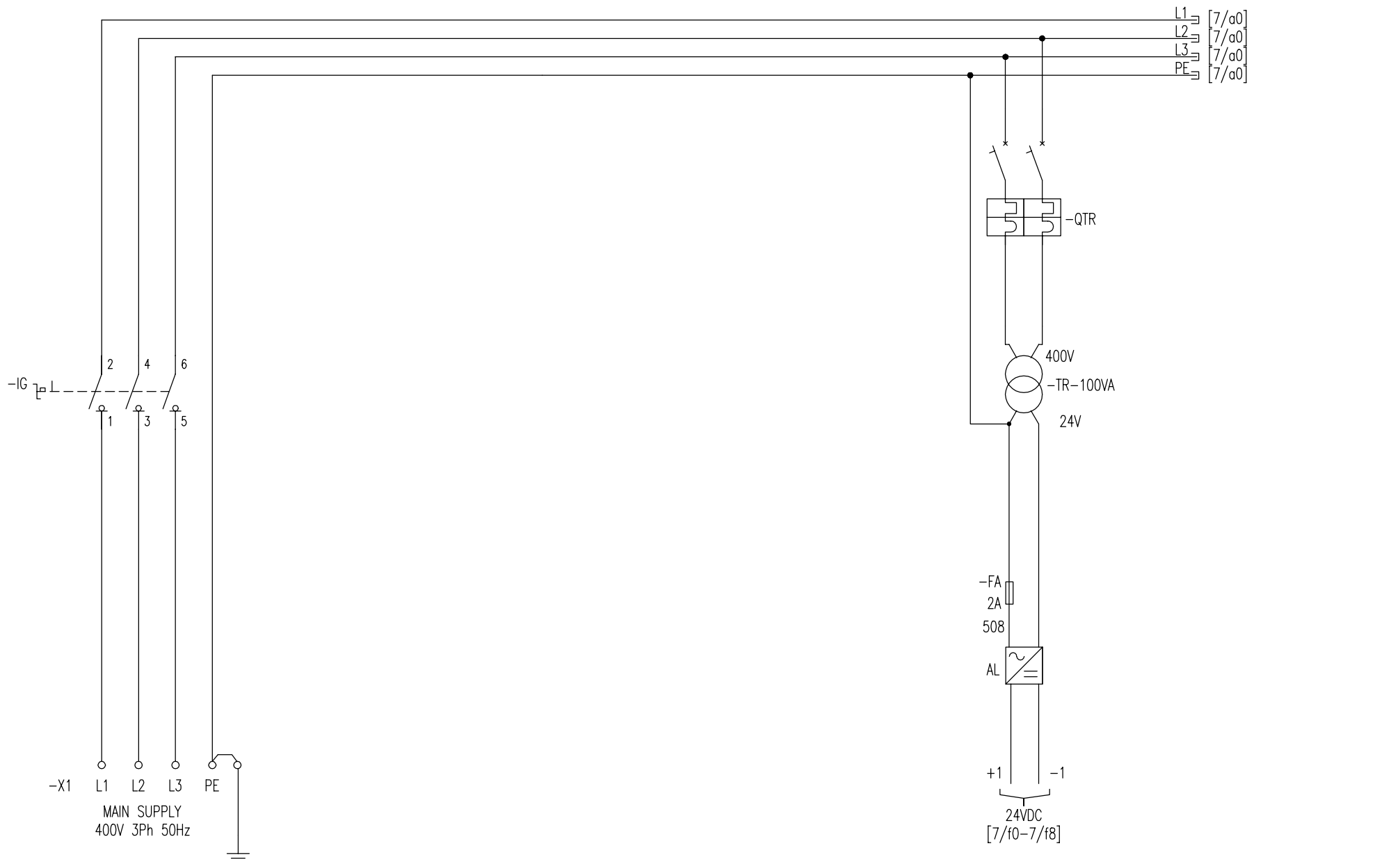
TITLE  
**MONITOR 3 MOTIONS**  
 TYPE A2-A4-A6-A8/EL

CLIENT

DATE	14.09.2001	DWG N°	46404211
SCALE	/	PROJECT N°	
DRAWN	An.T.	CHECKED	AL.T.
0 ISSUED	14.09.01	APPROVED	A.M.
REV.	MODIFY	DATE	APPROVED A.M.

SHEET N. 5 OF 13

a b c d e f g h i j k m n p q r



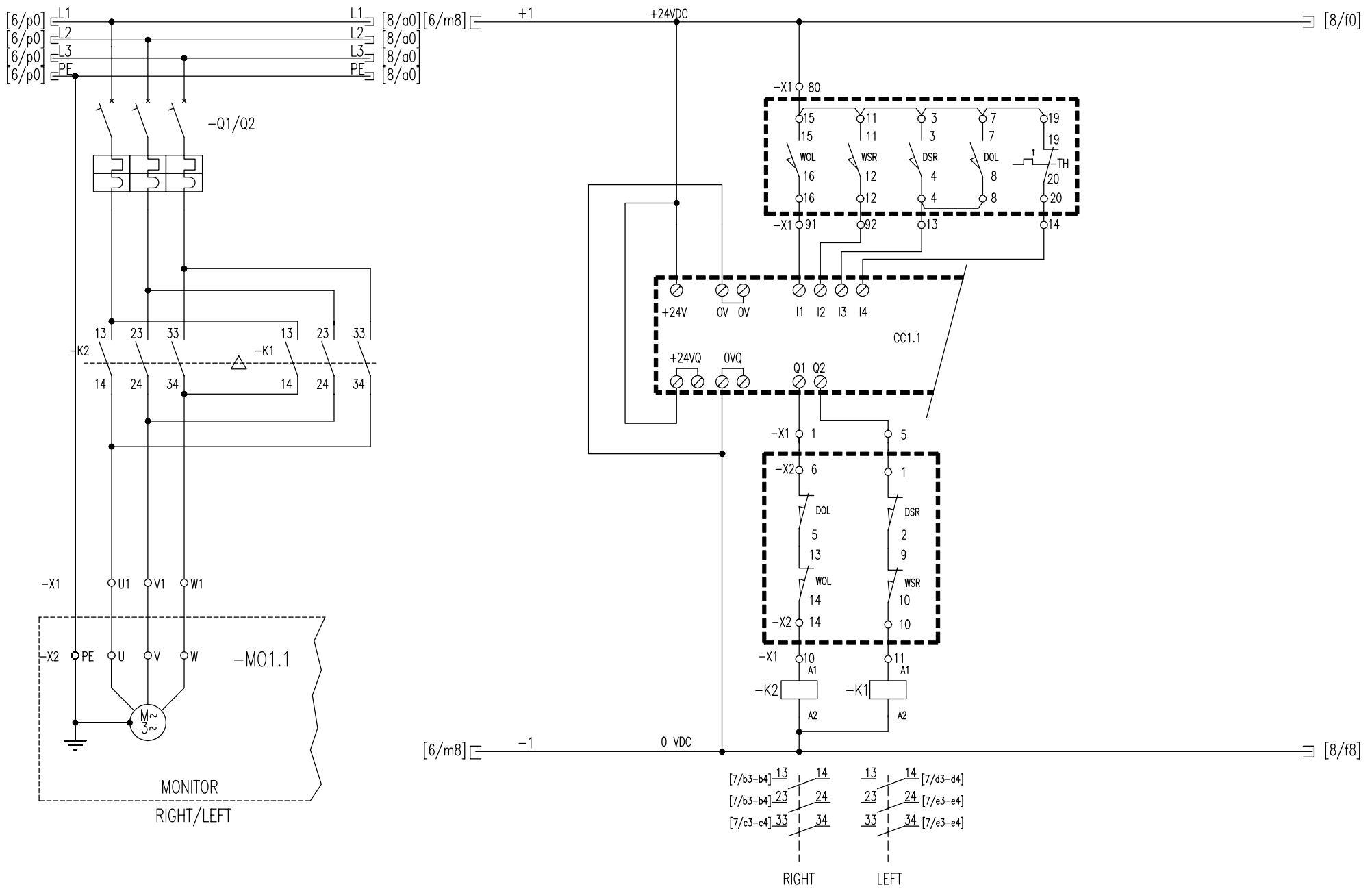
0  
1  
2  
3  
4  
5  
6  
7  
8  
9

CACCIALANZA & C. s.p.a.  
 ANTINCENDIO SICUREZZA ANTINQUINAMENTO  
 SEGRATE (MILANO) - ITALY

TITLE  
 MONITOR 3 MOTIONS  
 TYPE A2-A4-A6-A8/EL

CLIENT

			DATE	14.09.2001	DWG N°	46404211
			SCALE	/	PROJECT N°	
			DRAWN	An.T.		
0	ISSUED	14.09.01	CHECKED	AL.T.		
REV.	MODIFY	DATE	APPROVED	A.M.	SHEET N°	6 OF 13



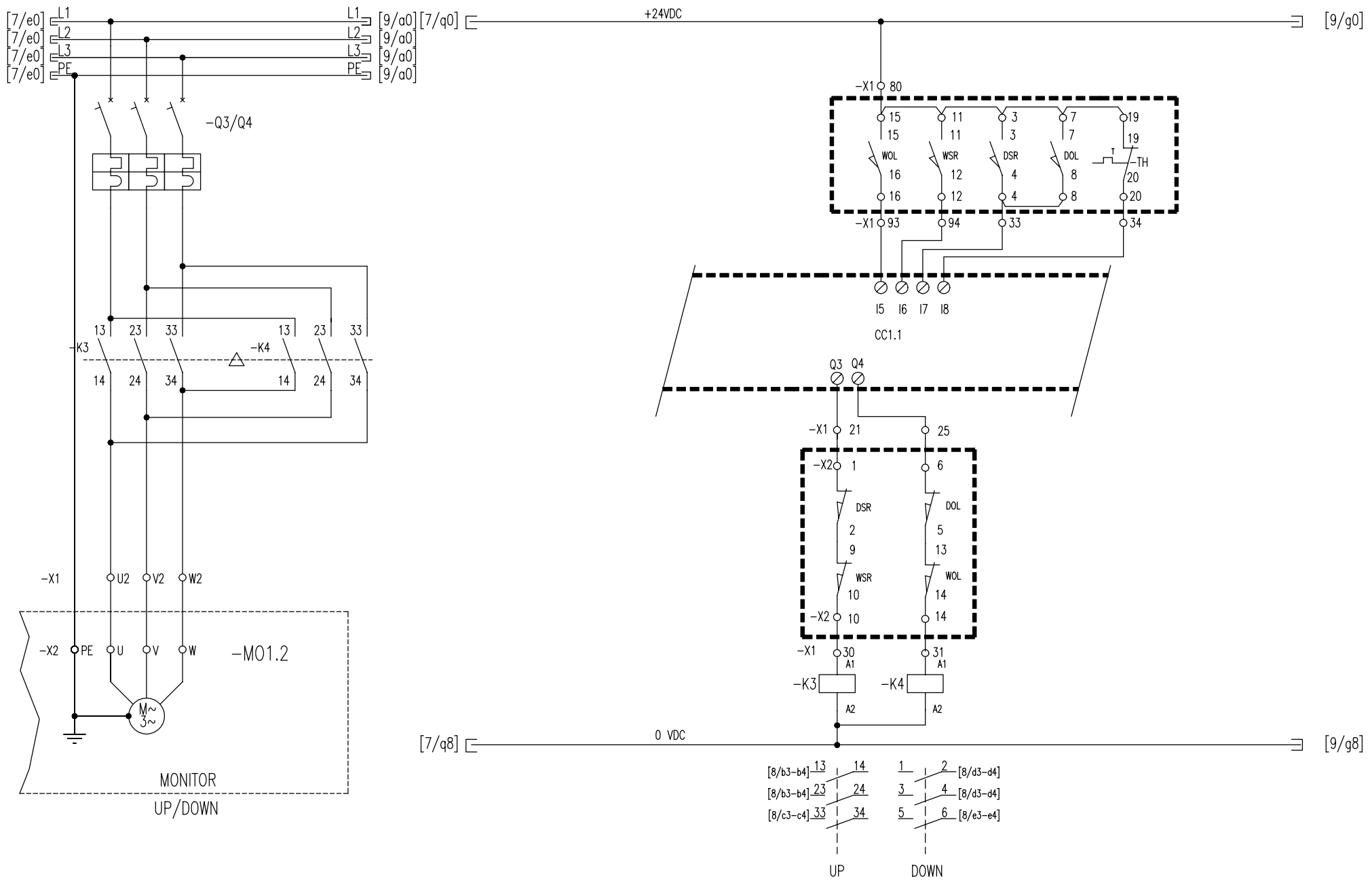
CACCIALANZA & C. s.p.a.  
ANTINCENDIO SICUREZZA ANTINQUINAMENTO  
SEGRATE (MILANO) - ITALY

TITLE  
MONITOR 3 MOTIONS  
TYPE A2-A4-A6-A8/EL

CLIENT

DATE	14.09.2001
SCALE	/
DRAWN	An.T.
CHECKED	AL.T.
APPROVED	A.M.
REV.	MODIFY
DATE	14.09.01

DWG N° 46404211  
PROJECT N°  
SHEET N. 7 OF 13



**CACCIALANZA & C. s.p.a.**  
 ANTINCENDIO SICUREZZA ANTINQUINAMENTO  
 SEGRATE (MILAND) - ITALY

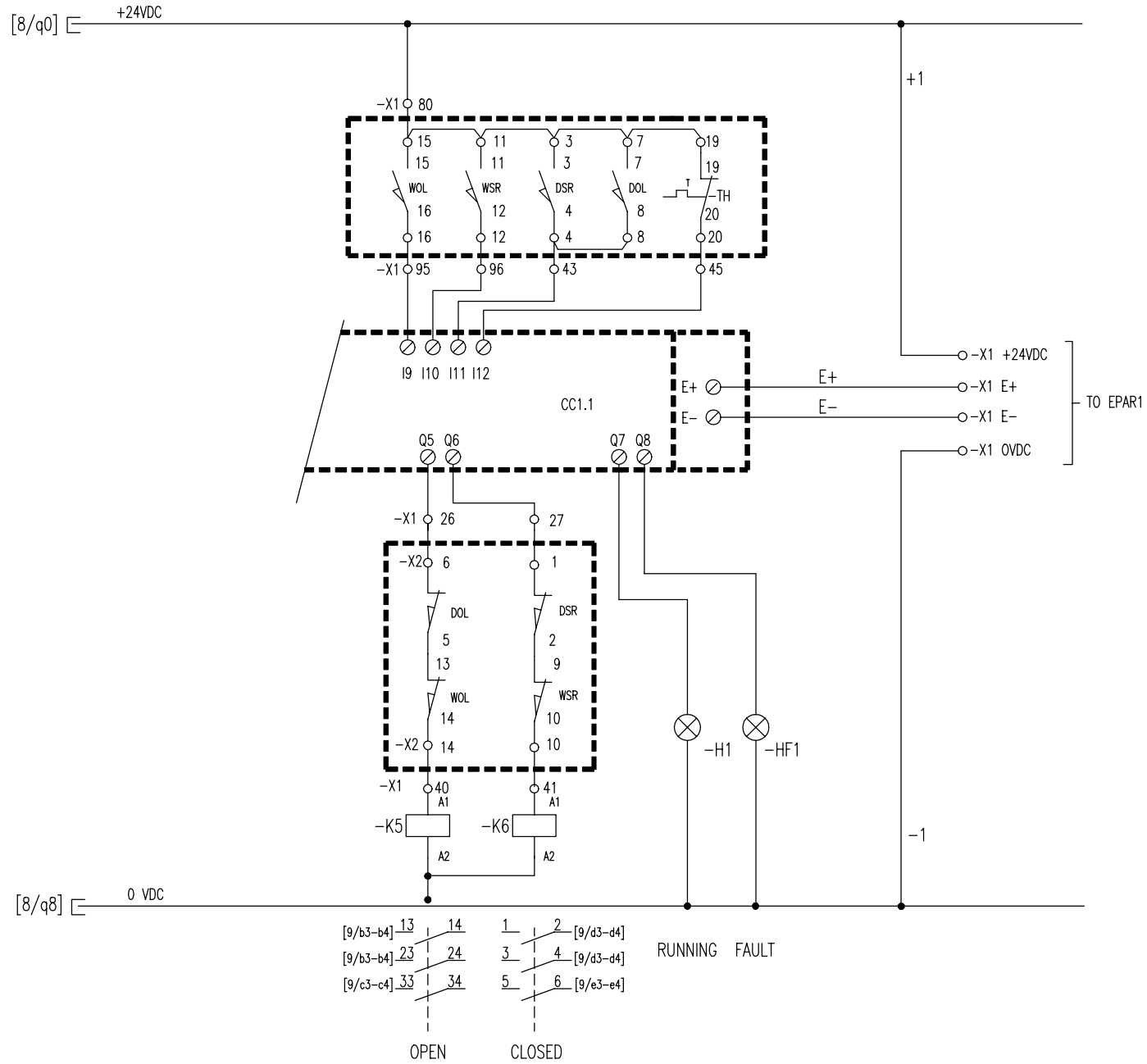
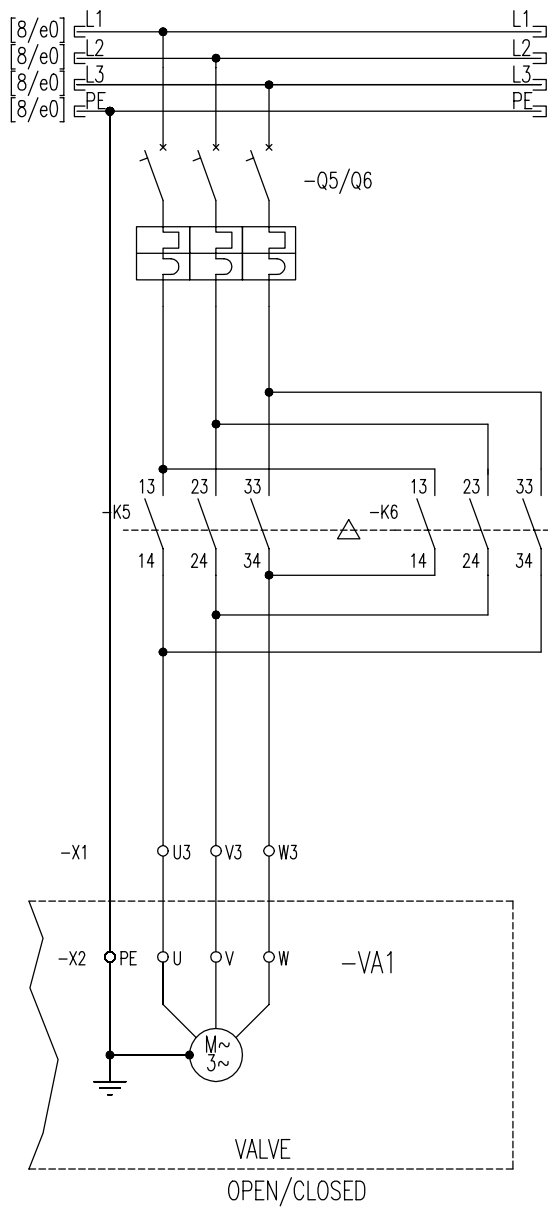
TITLE  
**MONITOR 3 MOTIONS**  
 TYPE A2-A4-A6-A8/EL

CLIENT

DATE	14.09.2001
SCALE	/
DRAWN	An.T.
0 ISSUED	14.09.01
1	2
2	3
3	4
4	5
5	6
DATE	APPROVED
APPROVED	A.M.

DWG N° **46404211**  
 PROJECT N°  
 SHEET N. 8 OF 13





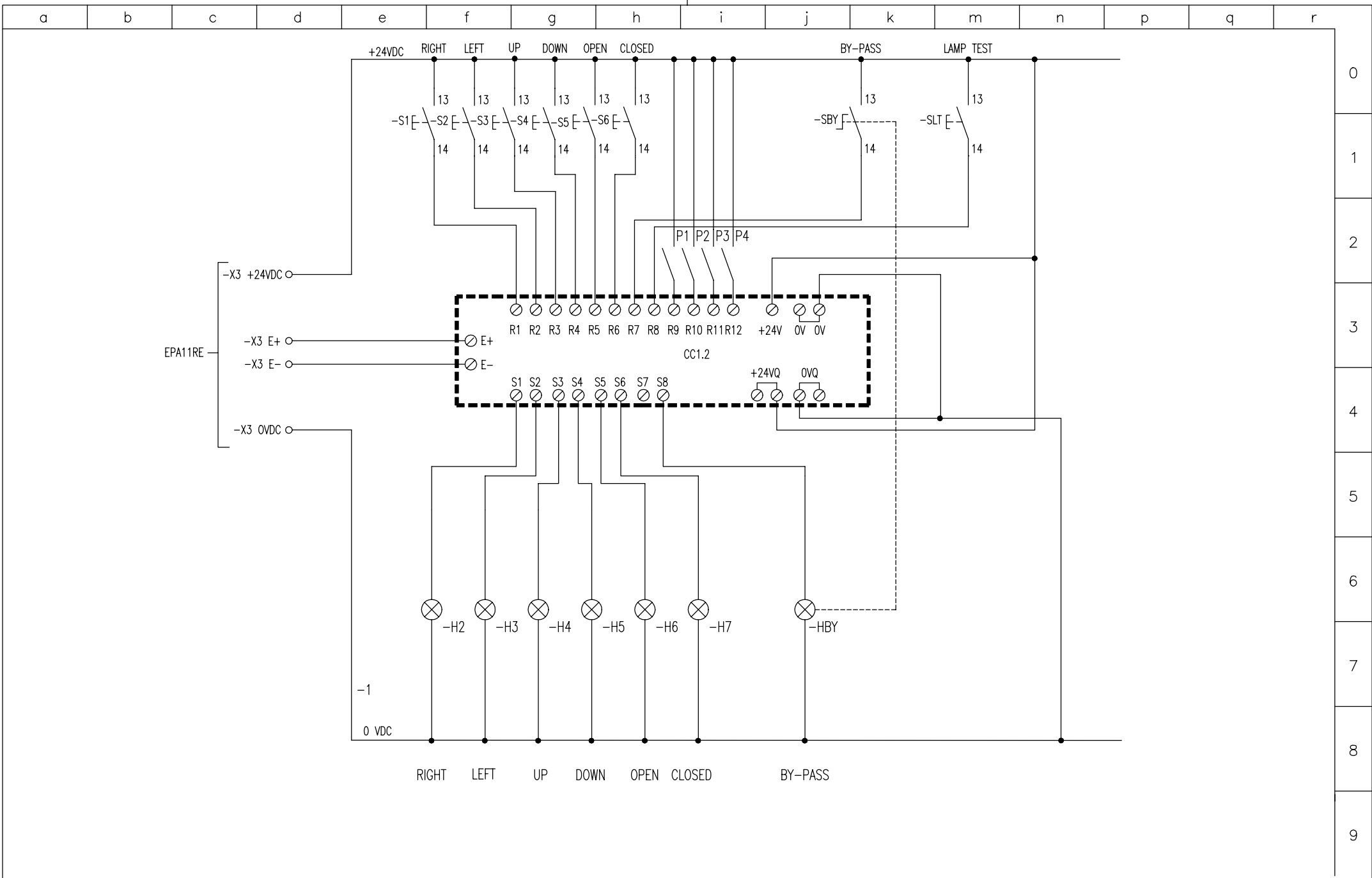
CACCIALANZA & C. s.p.a.  
ANTINCENDIO SICUREZZA ANTINQUINAMENTO  
SEGRATE (MILANO) - ITALY

TITLE  
MONITOR 3 MOTIONS  
TYPE A2-A4-A6-A8/EL

CLIENT

DATE	14.09.2001
SCALE	/
DRAWN	An.T.
CHECKED	AL.T.
APPROVED	A.M.
REV.	MODIFY
DATE	14.09.01

DWG N° 46404211  
PROJECT N°  
SHEET N. 9 OF 13

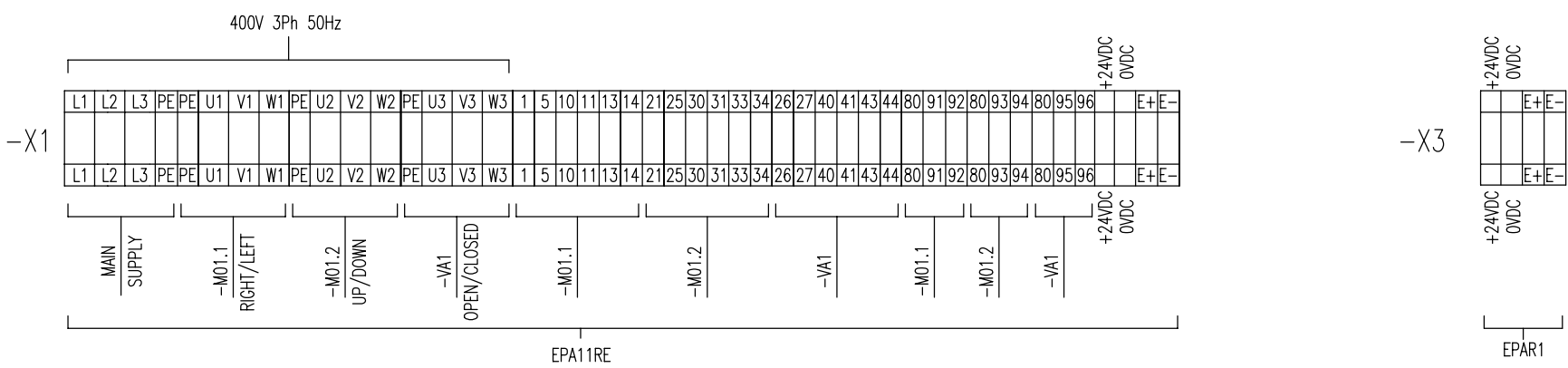


CACCIALANZA & C. s.p.a.  
 ANTINCENDIO SICUREZZA ANTINQUINAMENTO  
 SEGRATE (MILANO) - ITALY

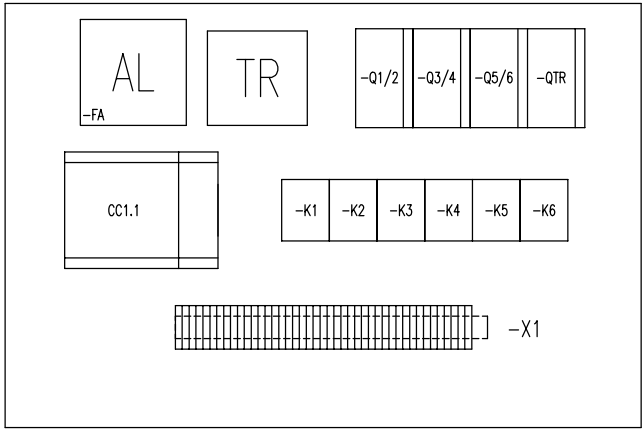
TITLE  
**MONITOR 3 MOTIONS**  
 TYPE A2-A4-A6-A8/EL

CLIENT

		DATE	14.09.2001	DWG N°	46404211
		SCALE	/	PROJECT N°	
		DRAWN	An.T.		
0	ISSUED	14.09.01	CHECKED	ALT.	
REV.	MODIFY	DATE	APPROVED	A.M.	SHEET N°. 10 OF 13

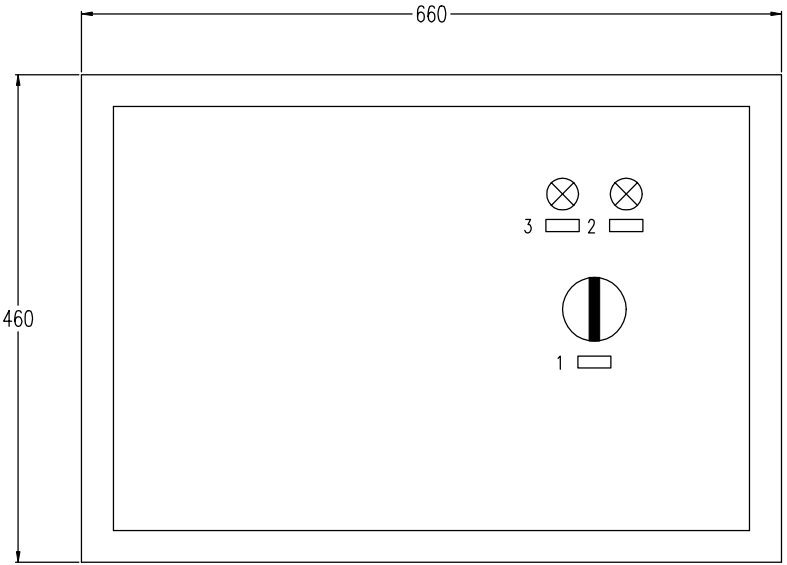


EPA11RE



INTERNAL LAY-OUT

DEEP=350 mm



OUTLINE DIMENSIONS

- 1 MAIN SWITCH (-IG)
- 2 RUNNING (-H1)
- 3 FAULT (-HF1)

DATE	14.09.2001
SCALE	/
DRAWN	An.T.
CHECKED	AL.T.
APPROVED	A.M.
REV.	MODIFY
DATE	14.09.01

