

a	b	c	d	e	f	g	h	i	j	k	m	n	p	q	r												
SHEET	DESCRIPTION						MODIFY					SHEET	DESCRIPTION						MODIFY					0			
							A	B	C	D	E								F	G	H	I	A		B	C	D
1	COVER						0						29														
2	MODIFY TABLE						0						30														
3	TECHNICAL DATA						0						31														1
4	WIRE COLOUR TABLE						0						32														
5	POWER WIRING SPA01RE						0						33														
6	MAIN SUPPLY SPA01RE						0						34														2
7	-M01.1 WIRING RIGHT/LEFT						0						35														
8	-M01.2 WIRING UP/DOWN						0						36														
9	-N1 WIRING						0						37														3
10	-VA1 WIRING						0						38														
11	SWITCES WIRING						0						39														
12	EPA11FR TERMINAL CONNECTIONS						0						40														4
13	EPA11FR LAY OUT AND FRONT PANEL						0						41														
14													42														
15													43														5
16													44														
17													45														
18													46														6
19													47														
20													48														
21													49														7
22													50														
23													51														
24													52														
25													53														8
26													54														
27													55														
28													56														9

CACCIALANZA & C. s.p.a ANTINCENDIO SICUREZZA ANTINQUINAMENTO SEGRATE (MILANO) - ITALY	TITLE		CLIENT		DATE	14.09.2001	DWG N°	46404121		
	MONITOR 4 MOTIONS				SCALE	/	PROJECT N°			
	TYPE A2-A4-A6-A8/EL				0	ISSUED	14.09.01	CHECKED	ALT.	
					REV.	MODIFY	DATE	APPROVED	A.M.	
							SHEET N°	2	OF	13

a b c d e f g h i j k m n p q r

0
1
2
3
4
5
6
7
8
9

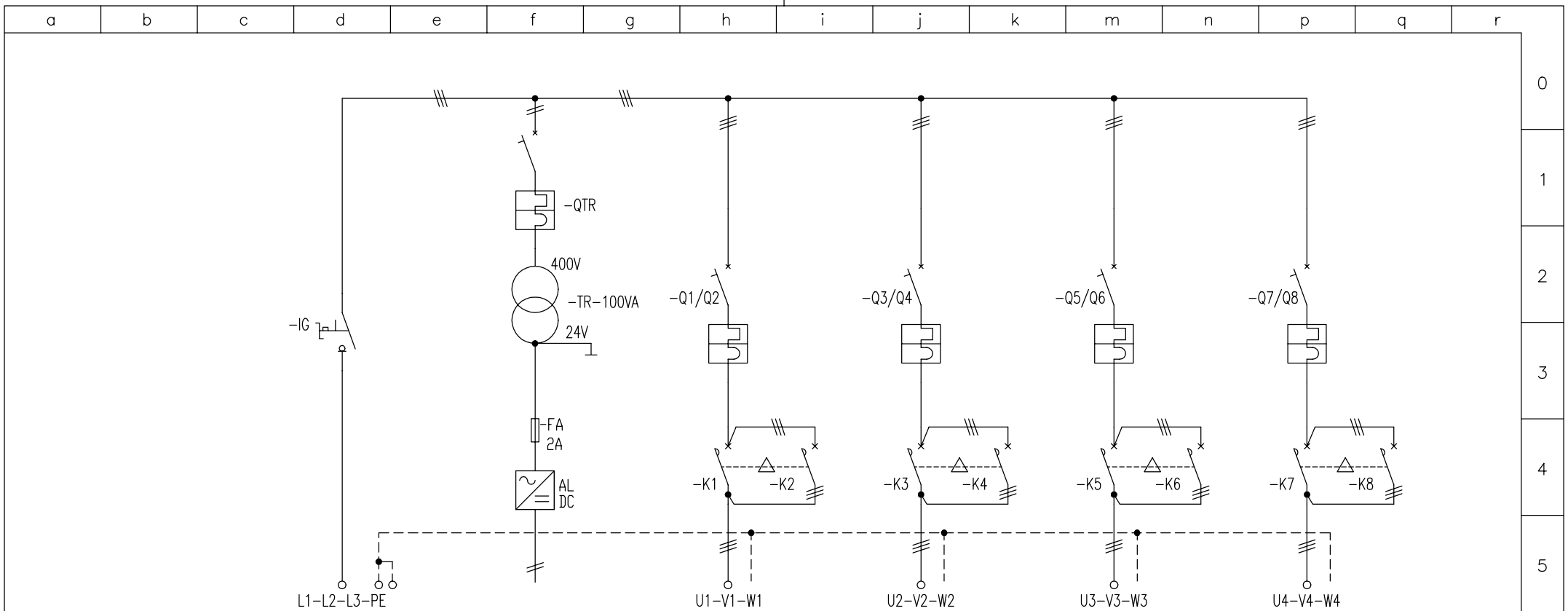
PANEL BOARD TECHNICAL DATA		
RATED SERVICE VOLTAGE:.....400V	TYPE OF SEGREGATION:.....FORM 1	TEMPERATURE:.....40°C
RATED INSULATION VOLTAGE:.....500V	INSTALLATION:.....OUTDOOR	DEGREE OF PROTECTION:EEExd-IIIB T3-T6
RATED FREQUENCY:.....50Hz	COMPLIANCE WITH STANDARD:.....CEI 17/13.1	COLOR:.....ALUMINIUM
ELECTRICAL SYSTEM:.....3Ph+PE	IN/OUT CABLES:.....BOTTOM	

CACCIALANZA & C. s.p.a ANTINCENDIO SICUREZZA ANTINQUINAMENTO SEGRATE (MILANO) - ITALY	TITLE	CLIENT	DATE	14.09.2001	DWG N°	46404121	
	MONITOR 4 MOTIONS		SCALE	/	PROJECT N°		
	TYPE A2-A4-A6-A8/EL		DRAWN	An.T.			
			0	ISSUED	14.09.01	CHECKED	ALT.
			REV.	MODIFY	DATE	APPROVED	A.M.
					SHEET N°	3 OF 13	

a b c d e f g h i j k m n p q r

0
1
2
3
4
5
6
7
8
9

POWER CIRCUIT		AUXILIARY CIRCUIT	
MIN. SECTION 2,5mmq		MIN. SECTION 1,5mmq	
CONDUCTOR		CONDUCTOR	
PHASES	BLACK	24V - C.A.	RED
NEUTRAL	LIGHT BLUE	110V - A.C	RED
GROUND	YELLOW-GREEN	220V - A.C	BLACK
		24V - D.C	BLUE
WIRE COLOUR TABLE			



USE	CIRCUIT		n?		MAIN SUPPLY		RIGHT/LEFT MONITOR MO1.1		UP/DOWN MONITOR MO1.2		NOZZLE -N1		VALVE -VA1	
	DESCRIPTION		Kw	A	1.9	3.8	0,45	0,9	0,45	0,9	0,45	0,9	0,45	0,9
ELECTRICAL EQUIPMENT	SWITCH	TYPE	P1-25 /Z		
		RATED CURRENT - N. POLES	A	n?	25	3	
		BREAKING CAPACITY	V	KA	400		
		SETTING CURRENT MAG. ELEMENT	A											
		SETTING CURRENT THE. ELEMENT	A											
	THERMAL RELAY	TYPE	DILER40//G(24VDC)		DILER40//G(24VDC)		DILER40//G(24VDC)		DILER40//G(24VDC)		DILER40//G(24VDC)		DILER40//G(24VDC)	
		RATED CURRENT	A											
		UTILIZATION CATEGORY	AC-3		AC-3		AC-3		AC-3		AC-3		AC-3	
		SETTING RANGE	A											
		SETTING CURRENT	A											
FUSEHOLDER	TYPE & CURRENT		A											
	FUSES - TYPE & SETTING CURRENT		A											
	AMMETER													
LINE	CABLE	TYPE												
		SECTION	mmq		(4G2,5)		(4G2,5)		(4G2,5)		(4G2,5)			
		LANCE	mt											
		RATED CURRENT(Iz)	A											

CACCIALANZA & C. S.p.A
 ANTINCENDIO SICUREZZA ANTINQUINAMENTO
 SEGRATE (MILAND) - ITALY

TITLE
MONITOR 4 MOTIONS
 TYPE A2-A4-A6-A8/EL

CLIENT

DATE	14.09.2001
SCALE	/
DRAWN	An.T.
CHECKED	AL.T.
APPROVED	A.M.

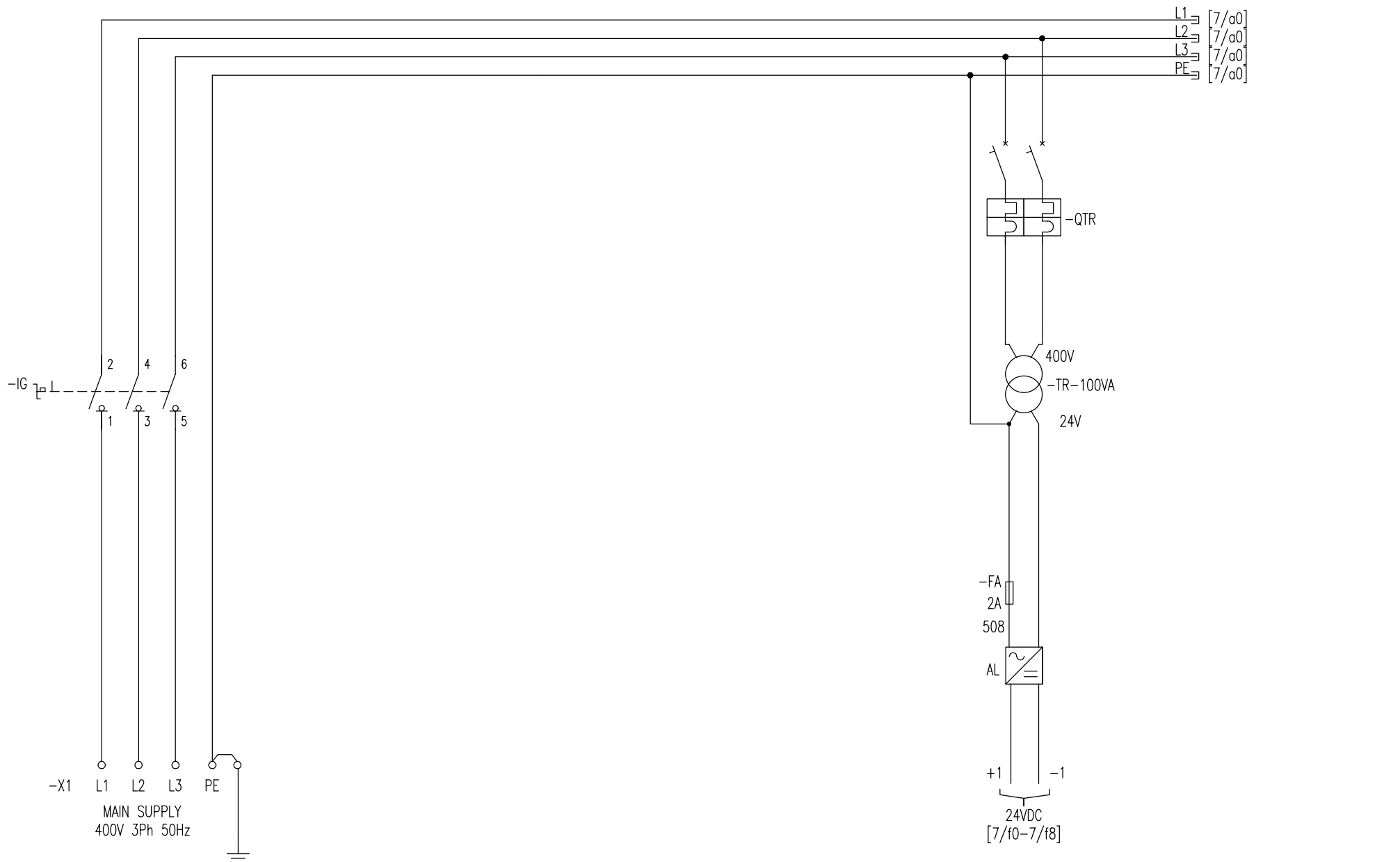
DWG N° **46404121**

PROJECT N°

SHEET N. 5 OF 13

0	ISSUED	14.09.01
REV.	MODIFY	DATE

a b c d e f g h i j k m n p q r



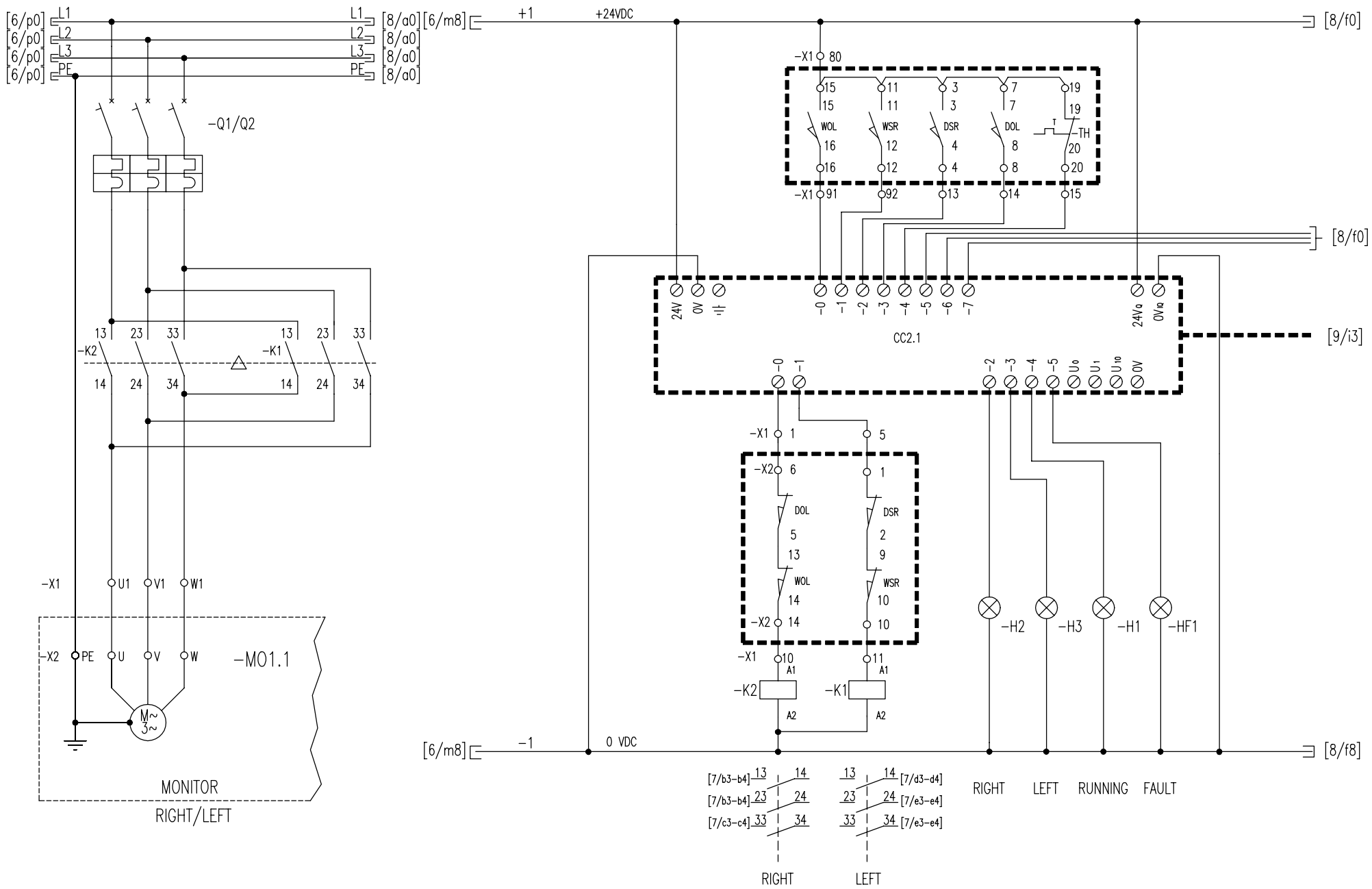
0
1
2
3
4
5
6
7
8
9

CACCIALANZA & C. s.p.a.
 ANTINCENDIO SICUREZZA ANTINQUINAMENTO
 SEGRATE (MILANO) - ITALY

TITLE
 MONITOR 4 MOTIONS
 TYPE A2-A4-A6-A8/EL

CLIENT

		DATE	14.09.2001	DWG N°	46404121
		SCALE	/	PROJECT N°	
		DRAWN	An.T.		
0	ISSUED	14.09.01	CHECKED	AL.T.	
REV.	MODIFY	DATE	APPROVED	A.M.	SHEET N° 6 OF 13



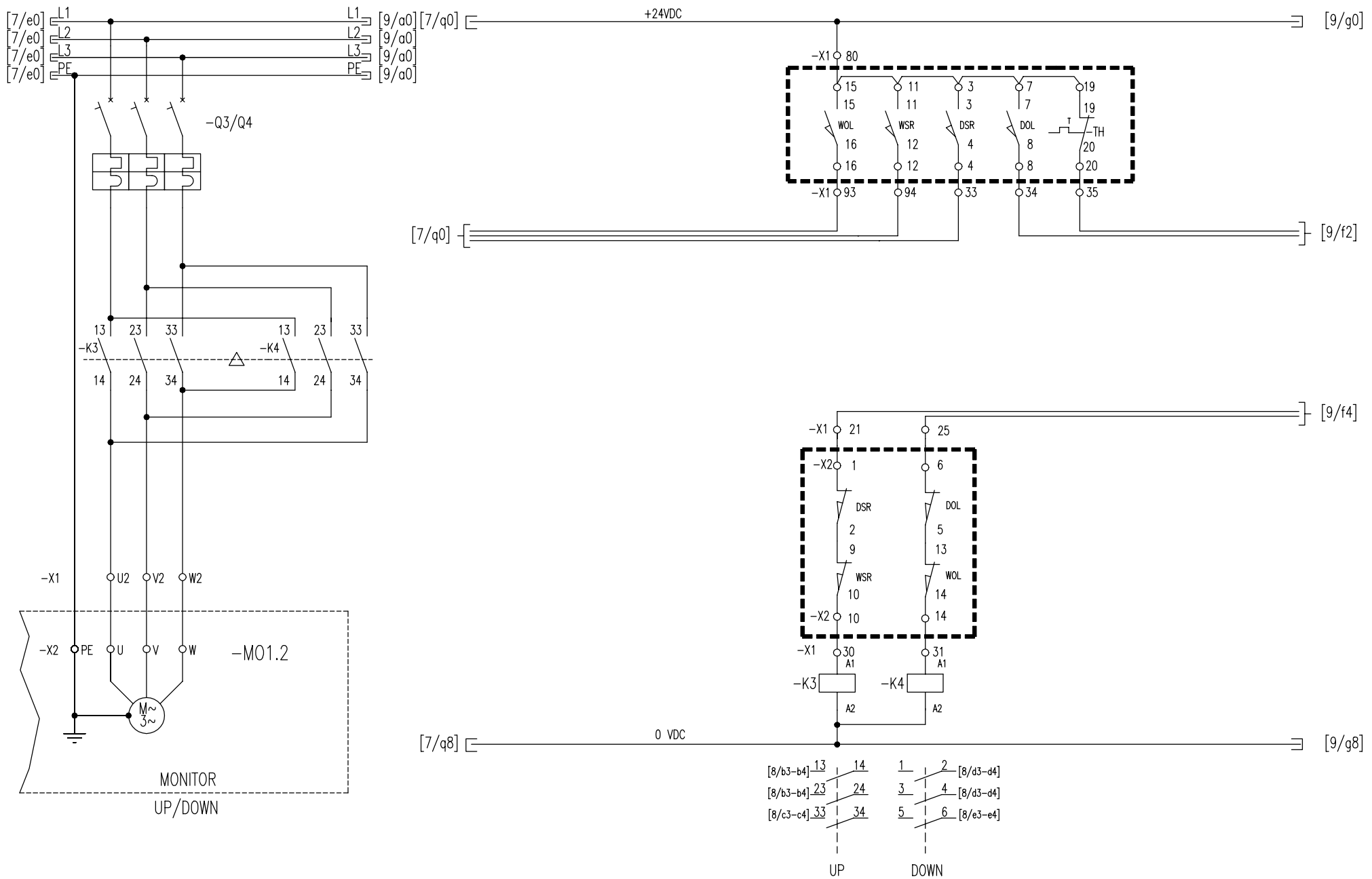
CACCIALANZA & C. s.p.a.
ANTINCENDIO SICUREZZA ANTINQUINAMENTO
SEGRATE (MILAND) - ITALY

TITLE
MONITOR 4 MOTIONS
TYPE A2-A4-A6-A8/EL

CLIENT

DATE	14.09.2001
SCALE	/
DRAWN	An.T.
CHECKED	AL.T.
APPROVED	A.M.
REV.	MODIFY
0	ISSUED
14.09.01	DATE

DWG N° 46404121
PROJECT N°
SHEET N. 7 OF 13



CACCIALANZA & C. s.p.a.
ANTINCENDIO SICUREZZA ANTINQUINAMENTO
SEGRATE (MILANO) - ITALY

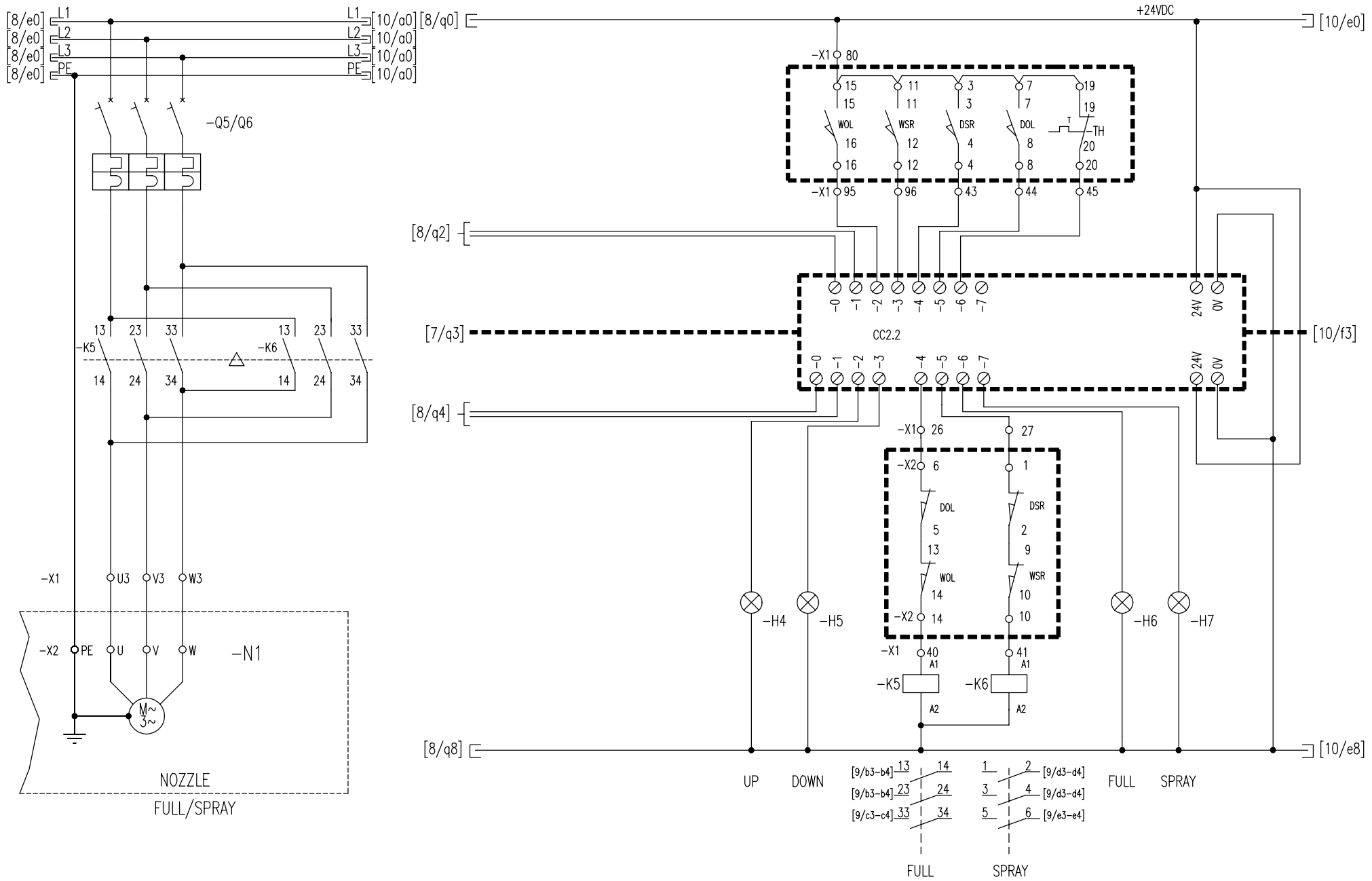
TITLE
MONITOR 4 MOTIONS
TYPE A2-A4-A6-A8/EL

CLIENT

DATE	14.09.2001
SCALE	/
DRAWN	An.T.
CHECKED	AL.T.
APPROVED	A.M.

DWG N° 46404121
PROJECT N°
SHEET N. 8 OF 13

0	ISSUED	14.09.01
REV.	MODIFY	DATE



CACCIALANZA & C. s.p.a.
 ANTINCENDIO SICUREZZA ANTINQUINAMENTO
 SEGRATE (MILANO) - ITALY

TITLE
 MONITOR 4 MOTIONS
 TYPE A2-A4-A6-A8/EL

CLIENT

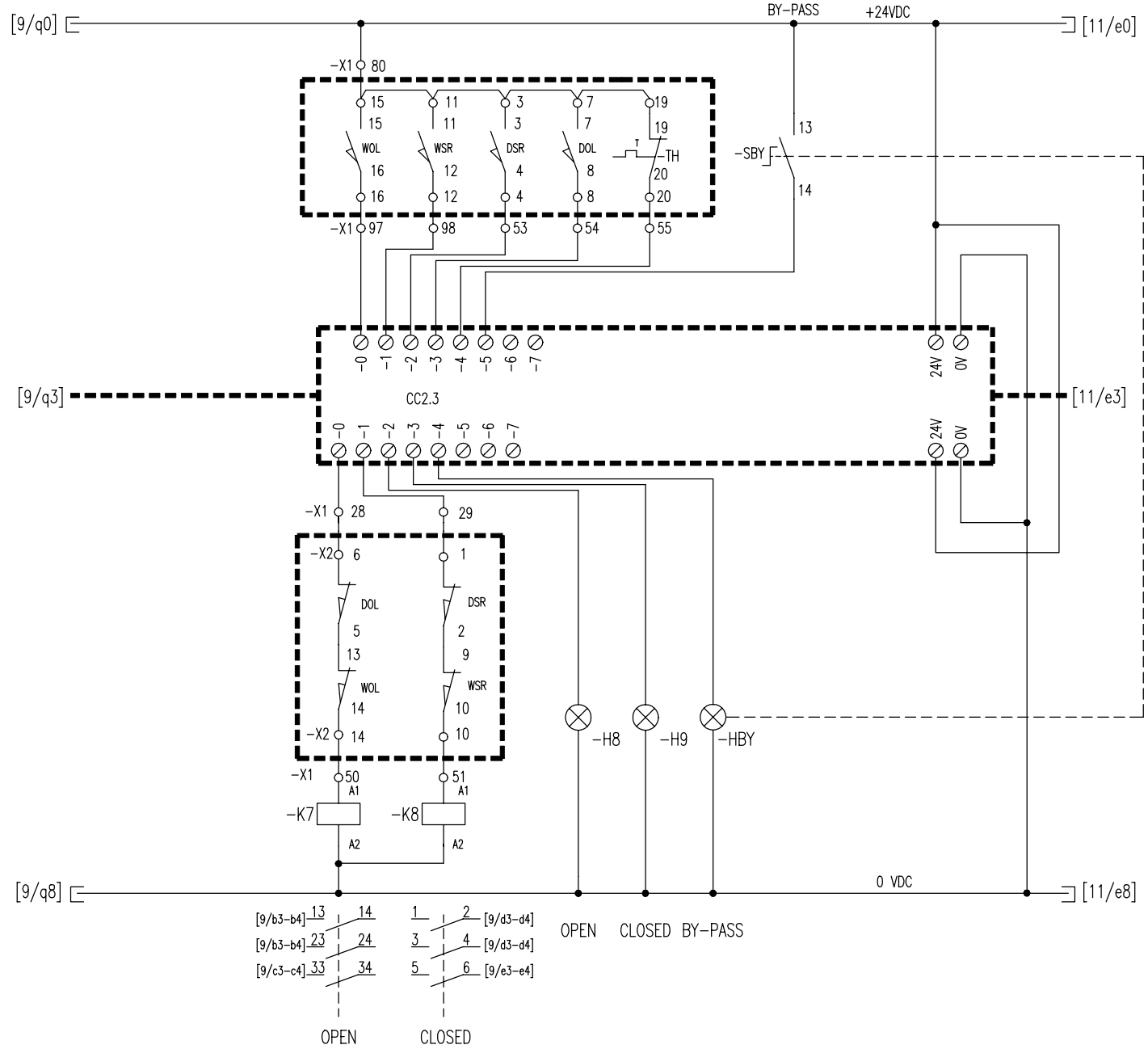
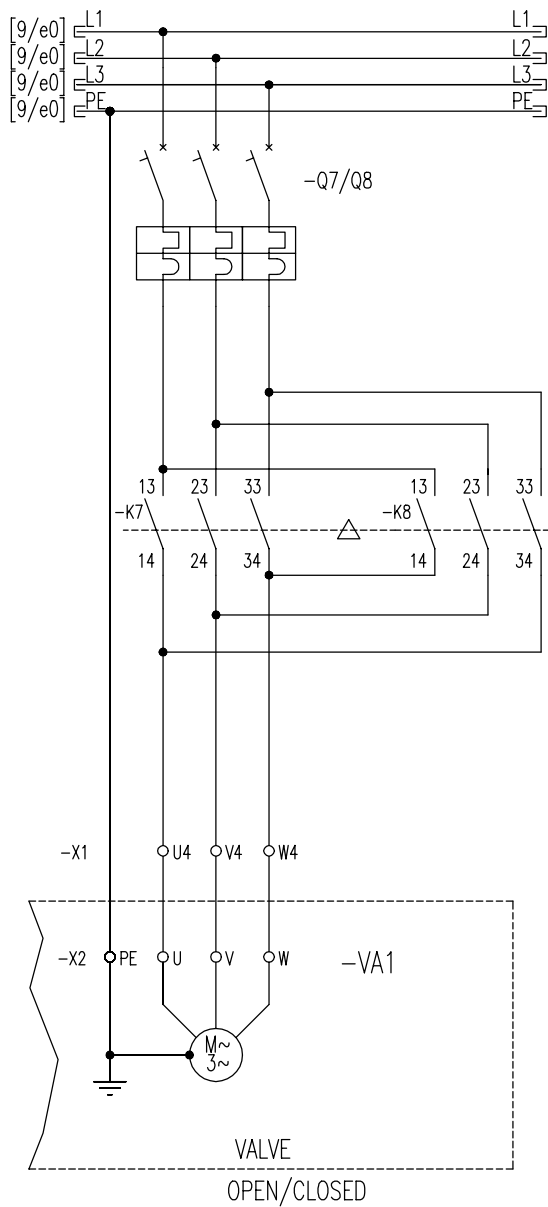
DATE	14.09.2001
SCALE	/
DRAWN	An.T.
CHECKED	AL.T.
APPROVED	A.M.

DWG N° 46404121

PROJECT N°

SHEET N. 9 OF 13

REV.	0	ISSUED	DATE	14.09.01
		MODIFY		



CACCIALANZA & C. s.p.a.
ANTINCENDIO SICUREZZA ANTINQUINAMENTO
SEGRATE (MILANO) - ITALY

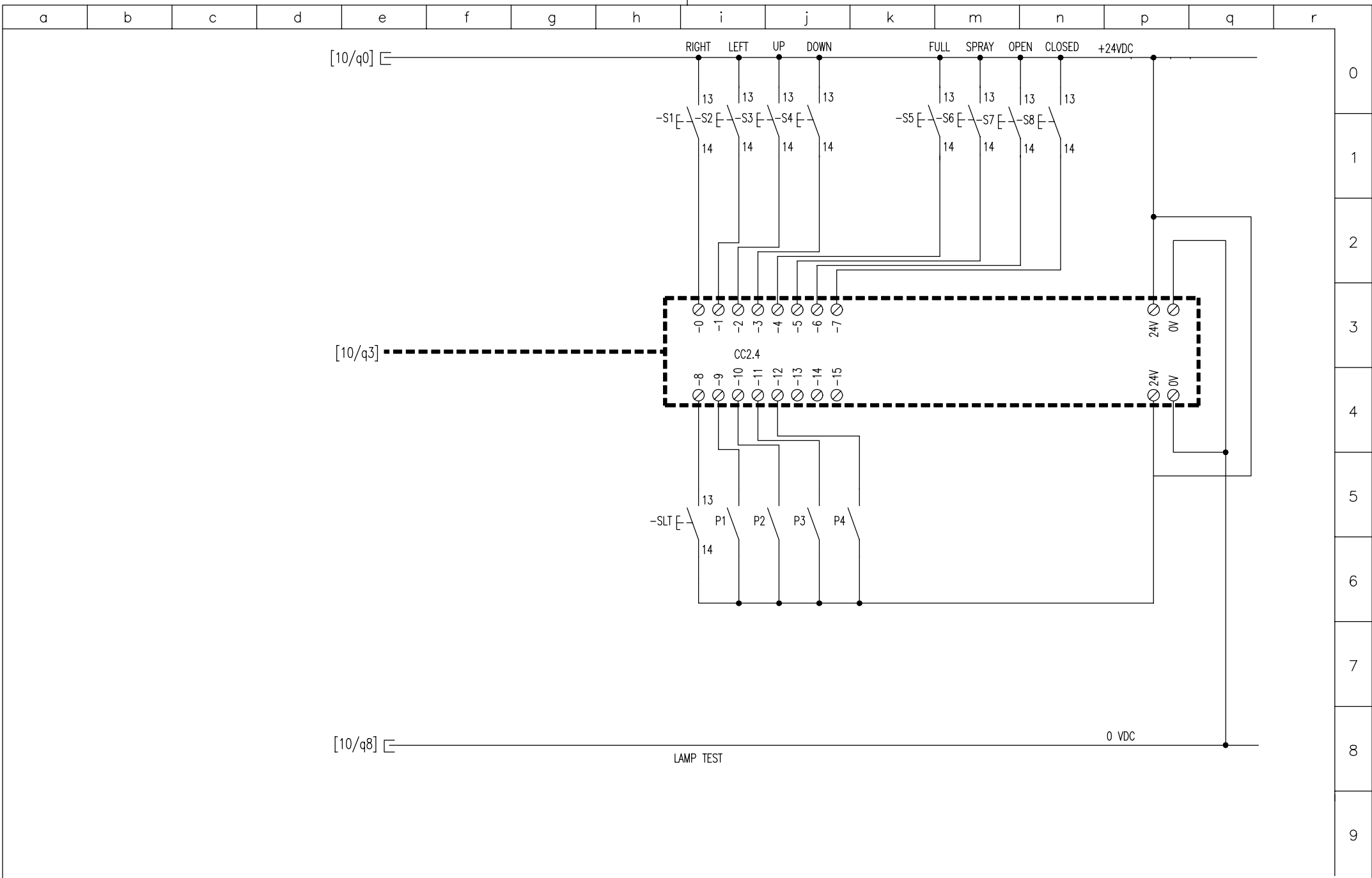
TITLE
MONITOR 4 MOTIONS
TYPE A2-A4-A6-A8/EL

CLIENT

DATE	14.09.2001
SCALE	/
DRAWN	An.T.
CHECKED	AL.T.
APPROVED	A.M.

DWG N° 46404121
PROJECT N°
SHEET N. 10 OF 13

REV.	0	ISSUED	DATE	14.09.01
		MODIFY		



CACCIALANZA & C. s.p.a.
 ANTINCENDIO SICUREZZA ANTINQUINAMENTO
 SEGRATE (MILANO) - ITALY

TITLE
 MONITOR 4 MOTIONS
 TYPE A2-A4-A6-A8/EL

CLIENT

DATE	14.09.2001
SCALE	/
DRAWN	An.T.
CHECKED	ALT.
APPROVED	A.M.

DWG N° 46404121

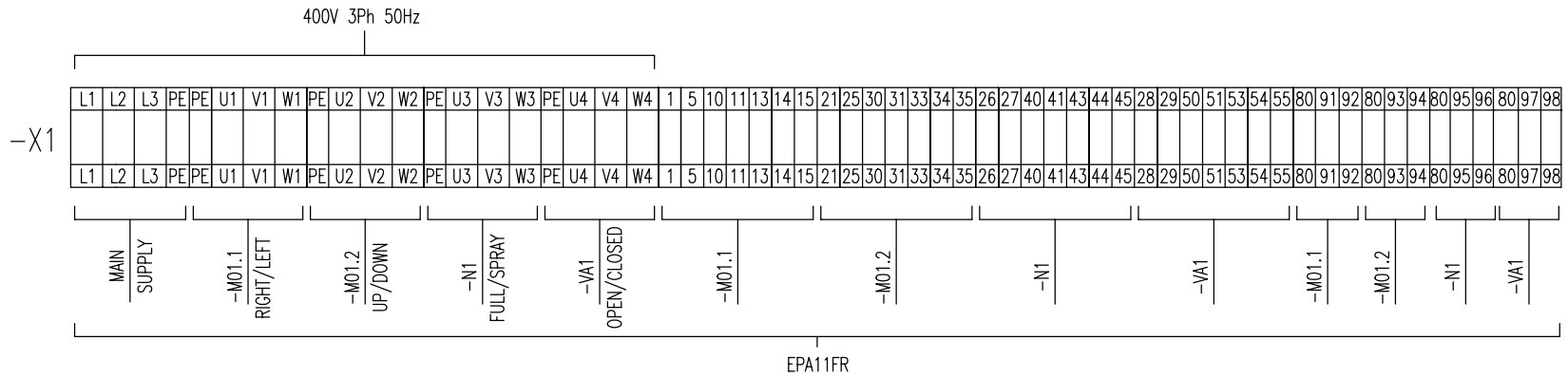
PROJECT N°

SHEET N° 11 OF 13

0	ISSUED	14.09.01
REV.	MODIFY	DATE

a b c d e f g h i j k m n p q r

0
1
2
3
4
5
6
7
8
9

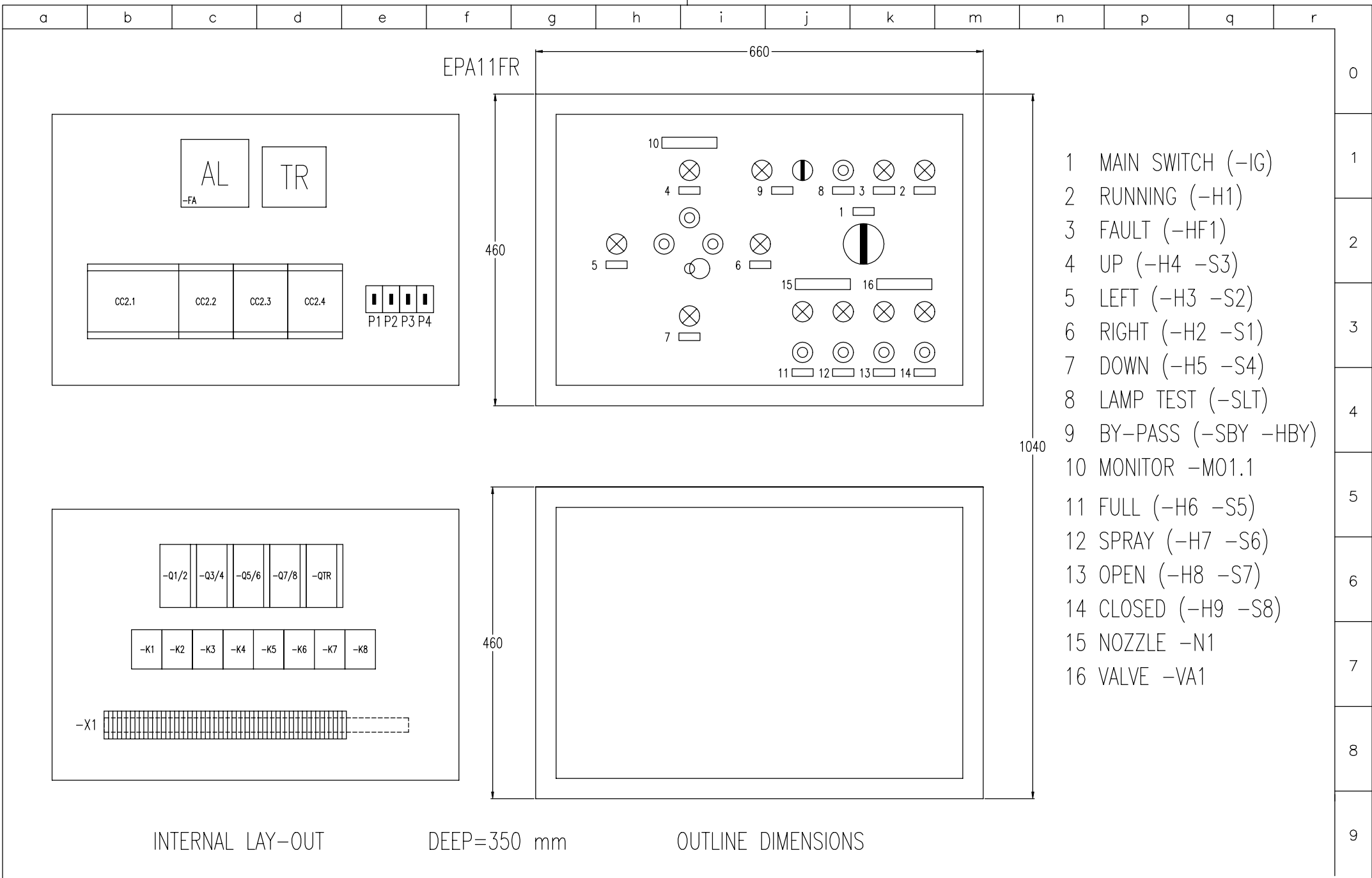


CACCIALANZA & C. S.p.A.
 ANTINCENDIO SICUREZZA ANTINQUINAMENTO
 SEGRATE (MILANO) - ITALY

TITLE
MONITOR 4 MOTIONS
 TYPE A2-A4-A6-A8/EL

CLIENT

DATE	14.09.2001	DWG N°	46404121
SCALE	/	PROJECT N°	
DRAWN	An.T.	SHEET N°	12 OF 13
0	ISSUED	14.09.01	CHECKED
REV.	MODIFY	DATE	APPROVED



- 1 MAIN SWITCH (-IG)
- 2 RUNNING (-H1)
- 3 FAULT (-HF1)
- 4 UP (-H4 -S3)
- 5 LEFT (-H3 -S2)
- 6 RIGHT (-H2 -S1)
- 7 DOWN (-H5 -S4)
- 8 LAMP TEST (-SLT)
- 9 BY-PASS (-SBY -HBY)
- 10 MONITOR -M01.1
- 11 FULL (-H6 -S5)
- 12 SPRAY (-H7 -S6)
- 13 OPEN (-H8 -S7)
- 14 CLOSED (-H9 -S8)
- 15 NOZZLE -N1
- 16 VALVE -VA1

INTERNAL LAY-OUT

DEEP=350 mm

OUTLINE DIMENSIONS

CACCIALANZA & C. s.p.a ANTINCENDIO SICUREZZA ANTINQUINAMENTO SEGRATE (MILANO) - ITALY	TITLE	CLIENT	DATE	14.09.2001	DWG N°	46404121	
	MONITOR 4 MOTIONS		SCALE	/	PROJECT N°		
	TYPE A2-A4-A6-A8/EL		DRAWN	An.T.			
			0 ISSUED	14.09.01	CHECKED	AL.T.	
		REV.	MODIFY	DATE	APPROVED	A.M.	SHEET N° 13 OF 13