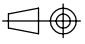


0	14.09.2001	ISSUED		An. T.	Al. T.	A. M.			
Rev.	Date	Description	Drawn	Checked	Approved				
<b>CACCIALANZA &amp; C.</b> <small>s.p.A.</small> ANTINCENDIO SICUREZZA ANTINQUINAMENTO SEGRATE (MILANO) - ITALY			Client / Project						
			Title						
			PANEL 1 MONITOR (2 MOV.) AND MO VALVE EExd-IIB T3-T6						
	Date	Name							
Drawn	14.09.2001	An. T.							
Checked	14.09.2001	Al. T.							
Approved	14.09.2001	A. M.							
Code		Sys.	Size	Scale	Dwg nr.	Rev.	Sheet		
			A 3	/	46404111	0	1		
							of	12	
THIS DRAWING IS THE PROPERTY OF CACCIALANZA & C. S.p.A. AND IS NOT TO BE REPRODUCED OR USED TO FURNISH ANY INFORMATION FOR MAKING OF DRAWINGS OR APPARATUS EXCEPT WHERE PROVIDED FOR BY AGREEMENT WITH SAID COMPANY									



a b c d e f g h i j k m n p q r

0  
1  
2  
3  
4  
5  
6  
7  
8  
9

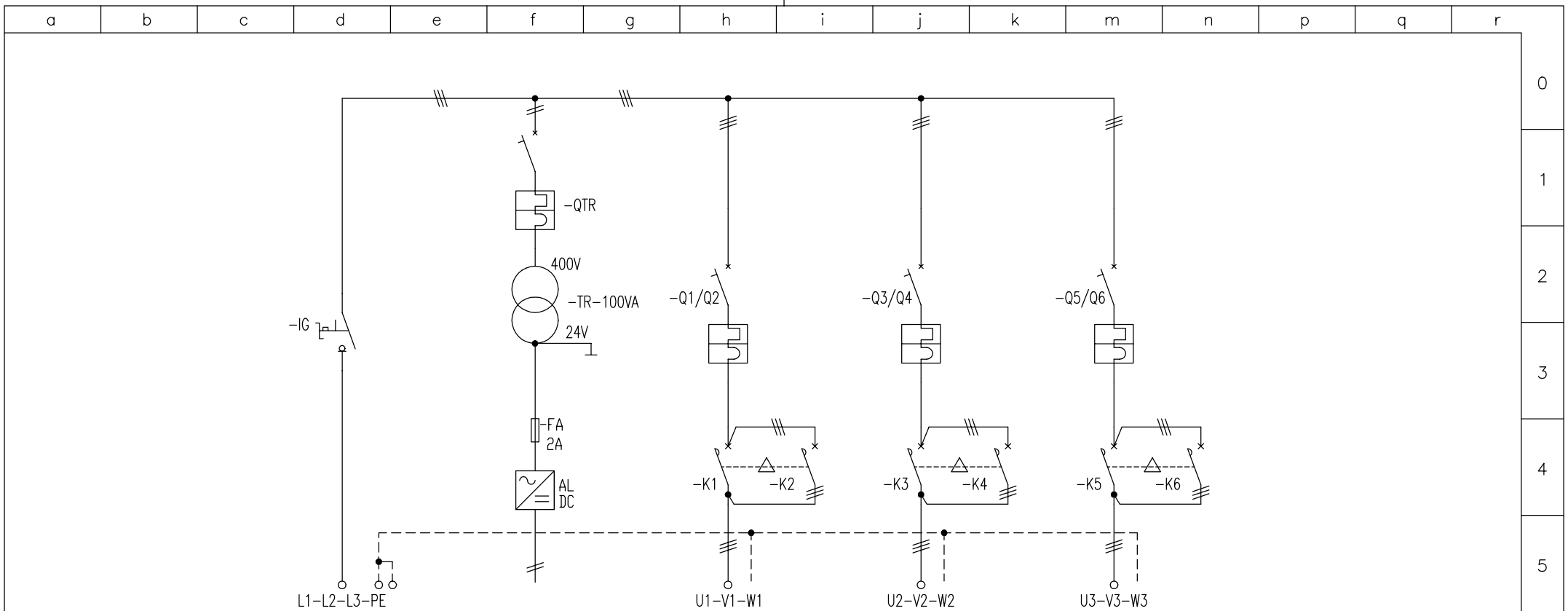
PANEL BOARD TECHNICAL DATA		
RATED SERVICE VOLTAGE:.....400V	TYPE OF SEGREGATION:.....FORM 1	TEMPERATURE:.....40°C
RATED INSULATION VOLTAGE:.....500V	INSTALLATION:.....OUTDOOR	DEGREE OF PROTECTION:..EExd-IIB T3-T6
RATED FREQUENCY:.....50Hz	COMPLIANCE WITH STANDARD:.....CEI 17/13.1	COLOR:.....ALUMINIUM
ELECTRICAL SYSTEM:.....3Ph+PE	IN/OUT CABLES:.....BOTTOM	

<b>CACCIALANZA &amp; C. s.p.a</b> ANTINCENDIO SICUREZZA ANTINQUINAMENTO SEGRATE (MILANO) - ITALY	TITLE	CLIENT	DATE	14.09.2001	DWG N°	46404111		
	<b>MONITOR 3 MOTIONS</b> <b>TYPE A2-A4-A6-A8/EL</b>		SCALE	/	DRAWN	An.T.	PROJECT N°	
			0	ISSUED	14.09.01	CHECKED		ALT.
			REV.	MODIFY	DATE	APPROVED	A.M.	SHEET N° 3 OF 12

a b c d e f g h i j k m n p q r

0  
1  
2  
3  
4  
5  
6  
7  
8  
9

POWER CIRCUIT		AUXILIARY CIRCUIT	
MIN. SECTION 2,5mmq		MIN. SECTION 1,5mmq	
CONDUCTOR		CONDUCTOR	
PHASES	BLACK	24V - C.A.	RED
NEUTRAL	LIGHT BLUE	110V - A.C	RED
GROUND	YELLOW-GREEN	220V - A.C	BLACK
		24V - D.C	BLUE
WIRE COLOUR TABLE			



USE	CIRCUIT		n?		MAIN SUPPLY		RIGHT/LEFT MONITOR MO1.1		UP/DOWN MONITOR MO1.2		VALVE -VA1	
	DESCRIPTION		Kw	A	1,45	2,9	0,45	0,9	0,45	0,9	0,45	0,9
ELECTRICAL EQUIPMENT	SWITCH	TYPE	P1-25 /Z				.....		.....		.....	
		RATED CURRENT - N. POLES	A	n?	25	3						
		BREAKING CAPACITY	V	KA	400							
		SETTING CURRENT MAG. ELEMENT	A									
		SETTING CURRENT THE. ELEMENT	A									
	CON-FACTOR	TYPE	DILER40//G(24VDC)				DILER40//G(24VDC)		DILER40//G(24VDC)		DILER40//G(24VDC)	
		RATED CURRENT	A									
		UTILIZATION CATEGORY	AC-3				AC-3		AC-3		AC-3	
	THERMAL RELAY	TYPE	A									
		SETTING RANGE	A									
FUSEHOLDER - TYPE & CURRENT	FUSES - TYPE & SETTING CURRENT		A									
	AMMETER											
LINE	VOLMETER											
	CABLE	TYPE										
		SECTION	mmq				(4G2,5)		(4G2,5)		(4G2,5)	
		LANCE	mt									
RATED CURRENT(Iz)		A										

**CACCIALANZA & C. s.p.a**  
 ANTINCENDIO SICUREZZA ANTINQUINAMENTO  
 SEGRATE (MILAND) - ITALY

TITLE  
**MONITOR 3 MOTIONS**  
 TYPE A2-A4-A6-A8/EL

CLIENT

DATE	14.09.2001
SCALE	/
DRAWN	An.T.
CHECKED	AL.T.
APPROVED	A.M.

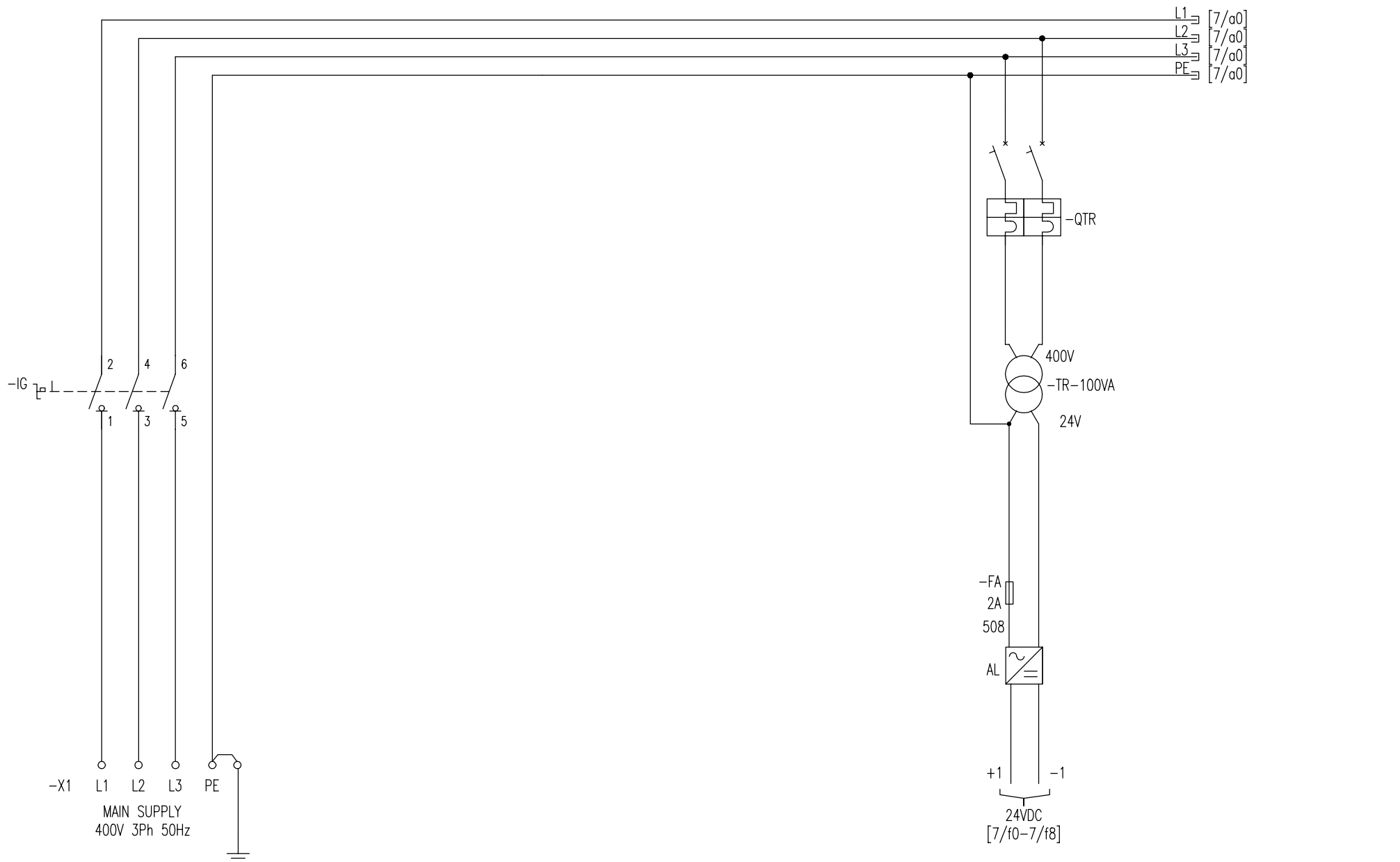
DWG N° **46404111**

PROJECT N°

SHEET N. 5 OF 12

0	ISSUED	14.09.01
REV.	MODIFY	DATE

a b c d e f g h i j k m n p q r



L1 [7/a0]  
L2 [7/a0]  
L3 [7/a0]  
PE [7/a0]

-IG L  
2 4 6  
1 3 5

-X1 L1 L2 L3 PE  
MAIN SUPPLY  
400V 3Ph 50Hz

-FA  
2A  
508

AL

+1 -1  
24VDC  
[7/t0-7/t8]

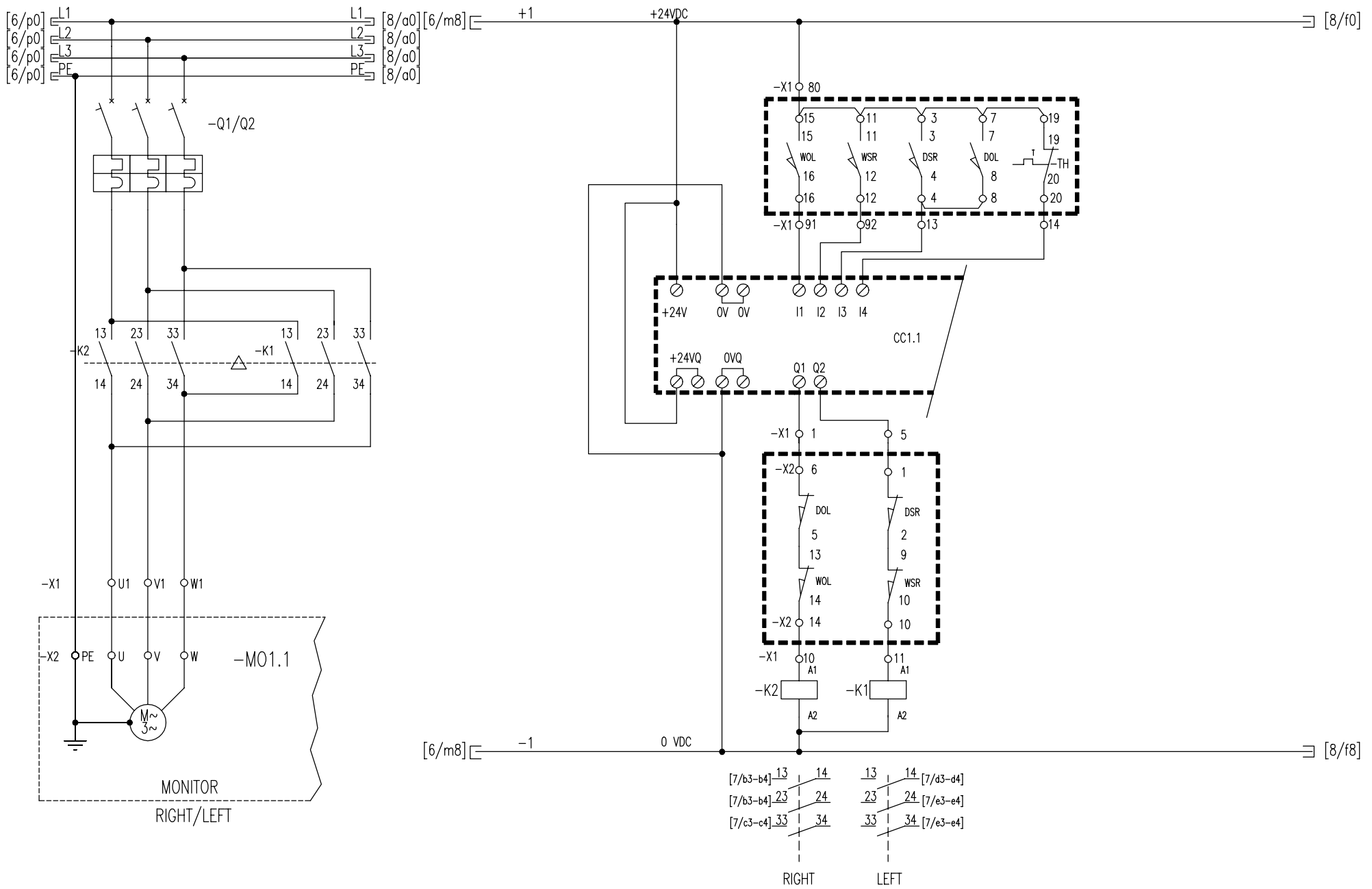
CACCIALANZA & C. s.p.a.  
ANTINCENDIO SICUREZZA ANTINQUINAMENTO  
SEGRATE (MILANO) - ITALY

TITLE  
MONITOR 3 MOTIONS  
TYPE A2-A4-A6-A8/EL

CLIENT

			DATE	14.09.2001	DWG N°	46404111
			SCALE	/	PROJECT N°	
			DRAWN	An.T.		
0	ISSUED	14.09.01	CHECKED	AL.T.		
REV.	MODIFY	DATE	APPROVED	A.M.	SHEET N°	6 OF 12

0  
1  
2  
3  
4  
5  
6  
7  
8  
9



CACCIALANZA & C. s.p.a.  
ANTINCENDIO SICUREZZA ANTINQUINAMENTO  
SEGRATE (MILANO) - ITALY

TITLE  
MONITOR 3 MOTIONS  
TYPE A2-A4-A6-A8/EL

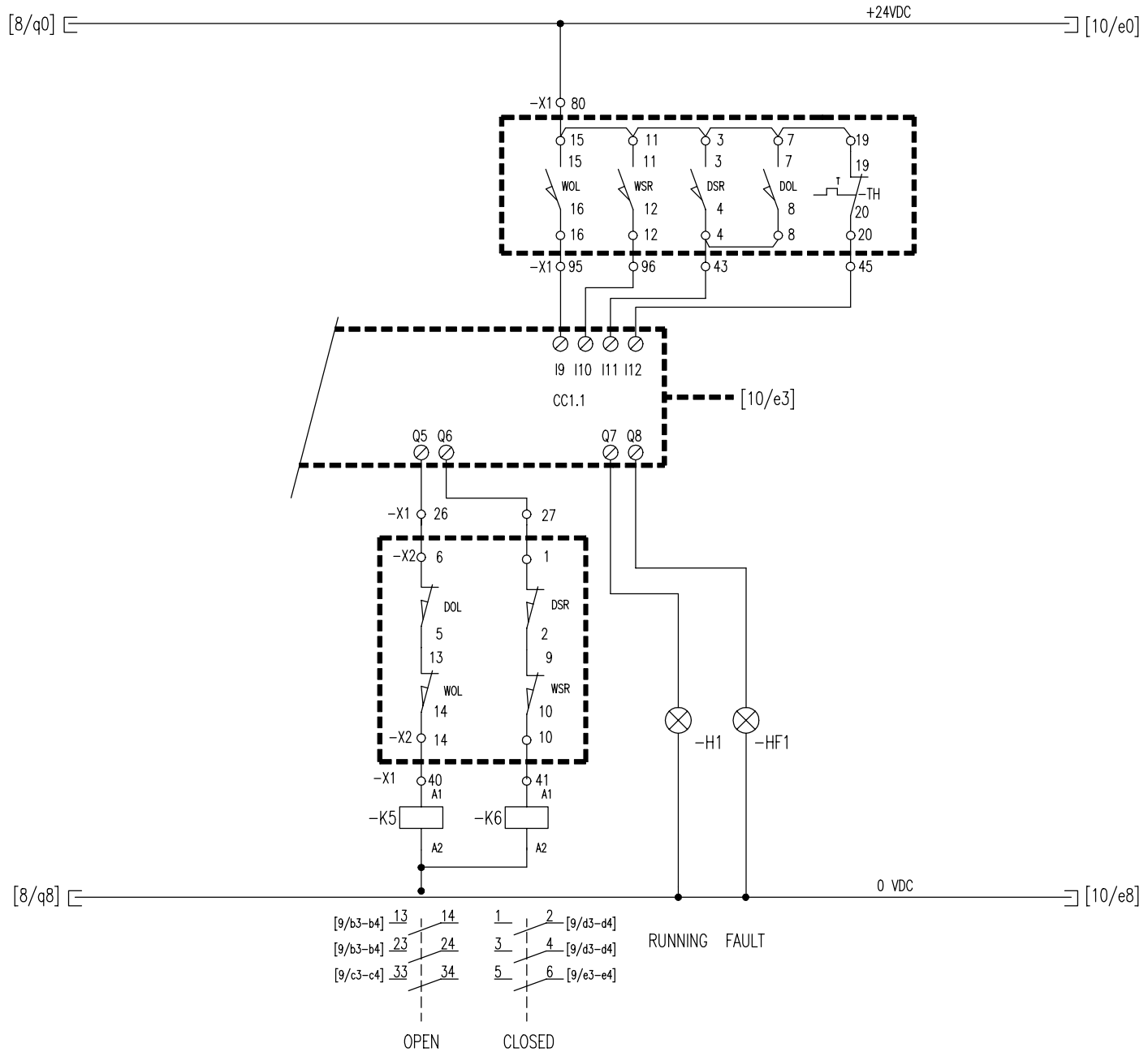
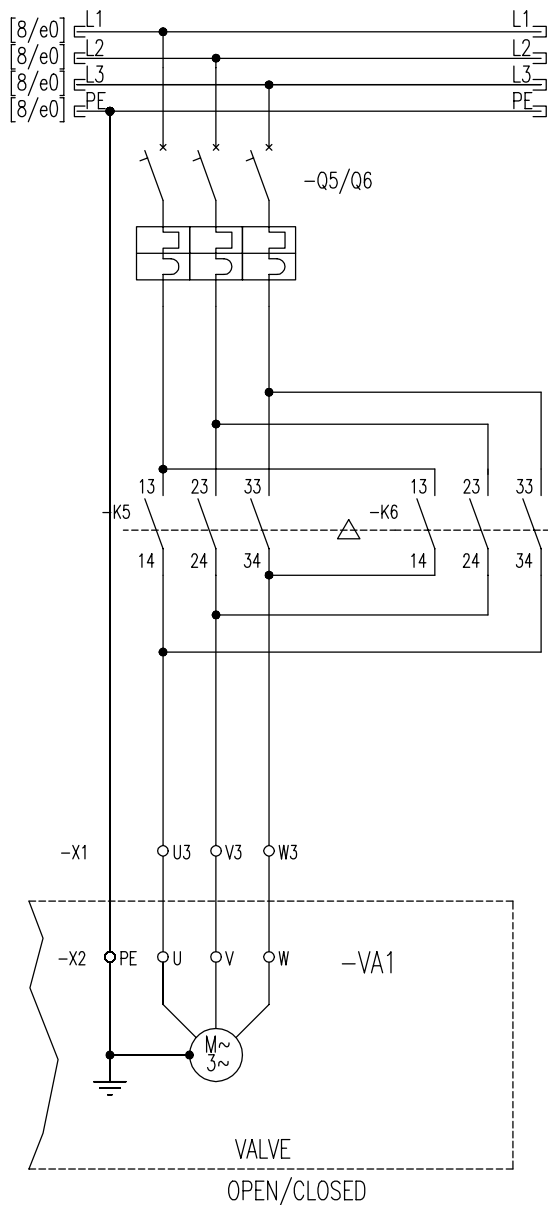
CLIENT

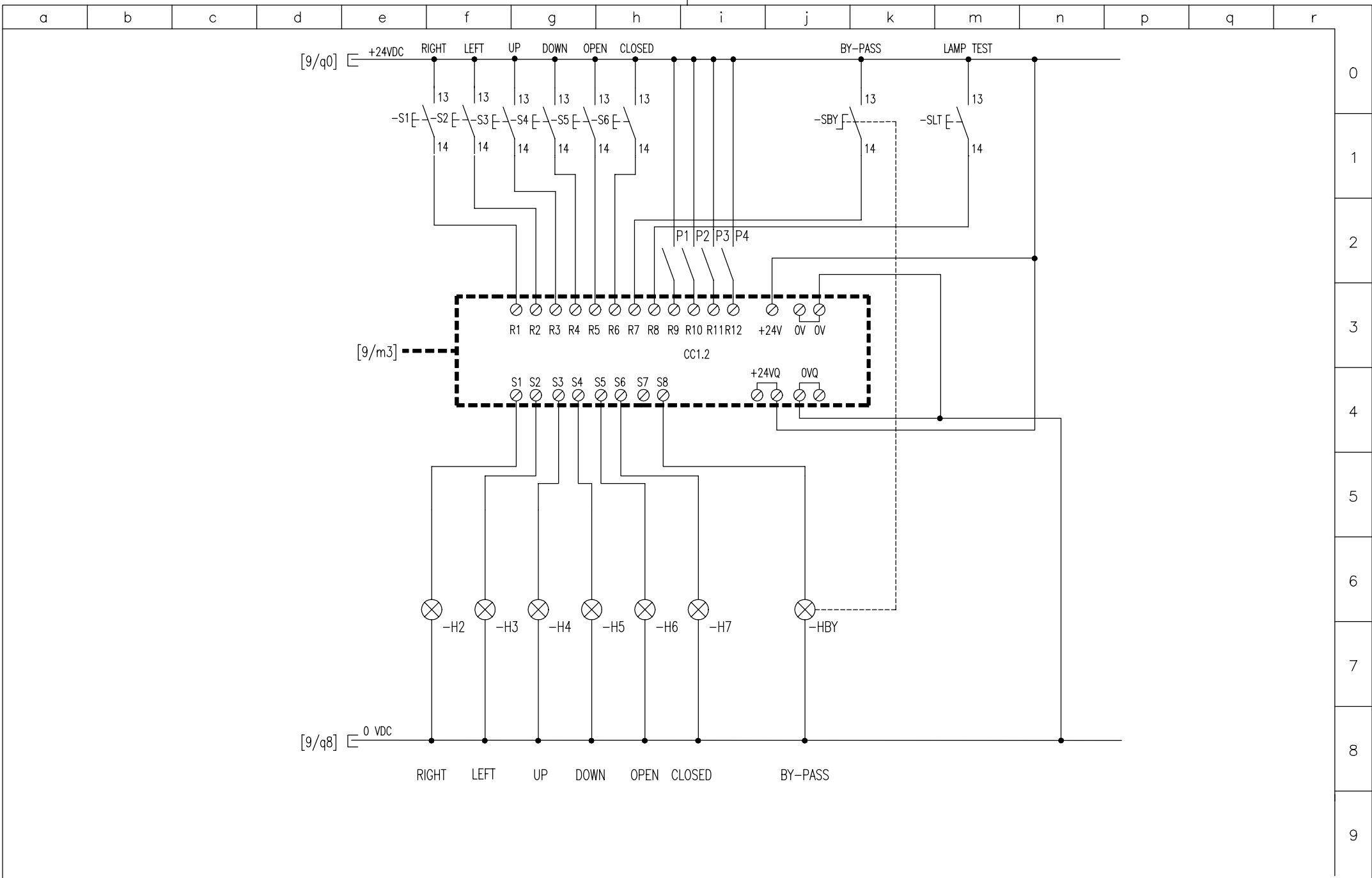
DATE	14.09.2001
SCALE	/
DRAWN	An.T.
CHECKED	AL.T.
APPROVED	A.M.
REV.	MODIFY

DWG N° 46404111  
PROJECT N°  
SHEET N. 7 OF 12









CACCIALANZA & C. s.p.a.  
 ANTINCENDIO SICUREZZA ANTINQUINAMENTO  
 SEGRATE (MILANO) - ITALY

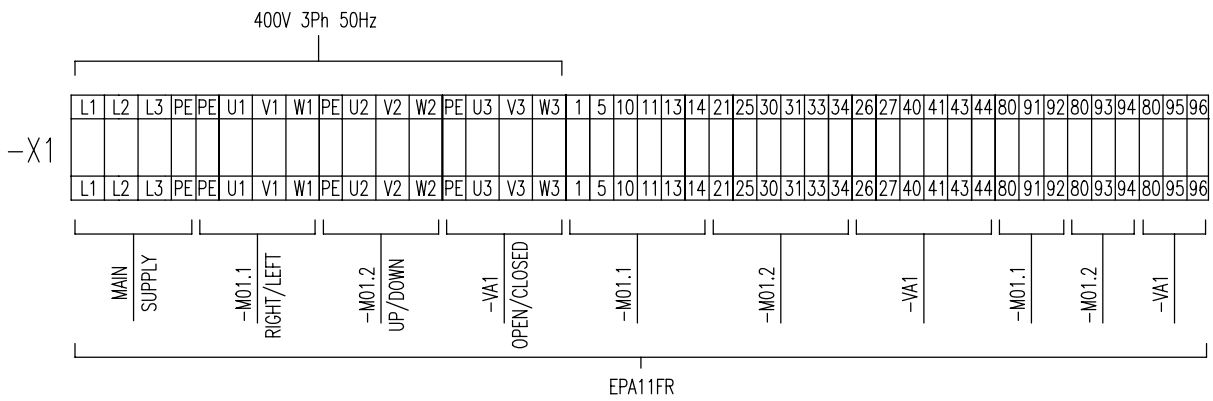
TITLE  
 MONITOR 3 MOTIONS  
 TYPE A2-A4-A6-A8/EL

CLIENT

		DATE	14.09.2001	DWG N°	46404111
		SCALE	/	PROJECT N°	
		DRAWN	An.T.		
0	ISSUED	14.09.01	CHECKED	ALT.	
REV.	MODIFY	DATE	APPROVED	A.M.	SHEET N°. 10 OF 12

a b c d e f g h i j k m n p q r

0  
1  
2  
3  
4  
5  
6  
7  
8  
9



**CACCIALANZA & C.** s.p.a.  
ANTINCENDIO SICUREZZA ANTINQUINAMENTO  
SEGRATE (MILANO) - ITALY

TITLE  
**MONITOR 3 MOTIONS**  
TYPE A2-A4-A6-A8/EL

CLIENT

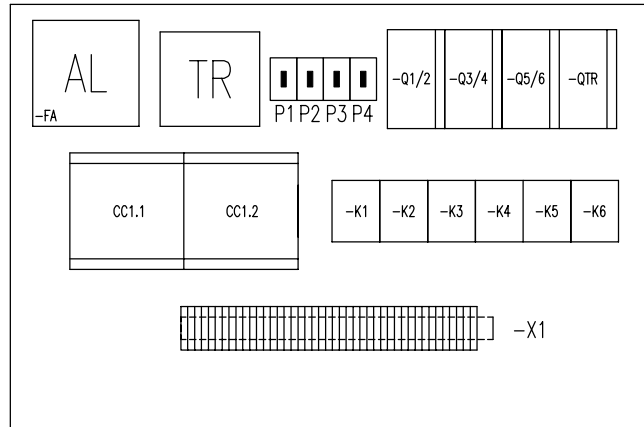
DATE	14.09.2001
SCALE	/
DRAWN	An.T.
0 ISSUED	14.09.01
REV.	MODIFY
DATE	APPROVED
A.M.	A.M.

DWG N° **46404111**

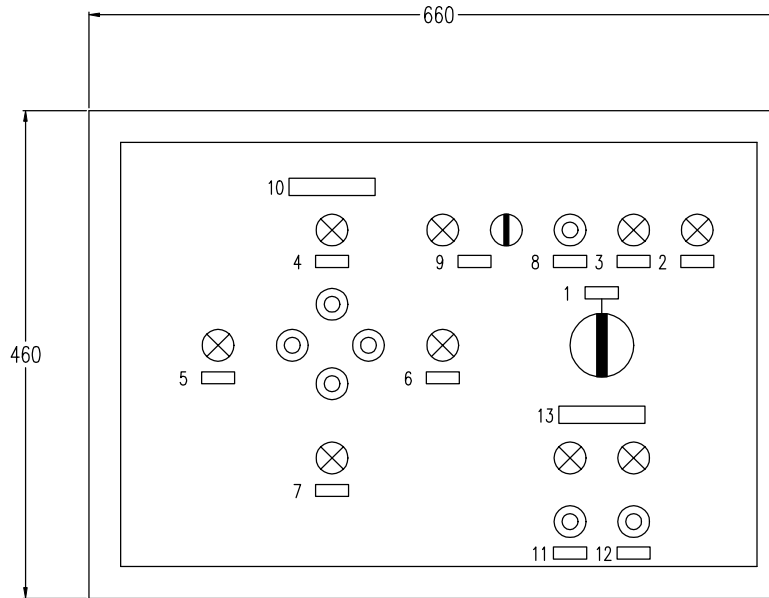
PROJECT N°

SHEET N°. 11 OF 12

EPA11FR



INTERNAL LAY-OUT



OUTLINE DIMENSIONS

- 1 MAIN SWITCH (-IG)
- 2 RUNNING (-H1)
- 3 FAULT (-HF1)
- 4 UP (-H4 -S3)
- 5 LEFT (-H3 -S2)
- 6 RIGHT (-H2 -S1)
- 7 DOWN (-H5 -S4)
- 8 LAMP TEST (-SLT)
- 9 BY-PASS (-SBY -HBY)
- 10 MONITOR -M01.1
- 11 OPEN (-H6 -S5)
- 12 CLOSED (-H7 -S6)
- 13 VALVE -VA1