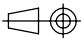


| | | | | | |
|--|---|------------------|---|----------|---------------|
| | | | | | |
| | | | | | |
| | | | | | |
| 0 | 14.09.2001 | ISSUED | An.T. | Al.T. | A.M. |
| Rev. | Date | Description | Drawn | Checked | Approved |
| CACCIALANZA & C. <small>s.p.A.</small> ANTINCENDIO SICUREZZA ANTINQUINAMENTO SEGRATE (MILANO) - ITALY | | Client / Project | | | |
| | Date | Name | Title PANEL 1 MONITOR (2 MOV.) AND MO VALVE EXPANDED EXECUTION WITH REMOTE COMMAND PANEL | | |
| Drawn | 14.09.2001 | An.T. | | | |
| Checked | 14.09.2001 | Al.T. | | | |
| Approved | 14.09.2001 | A.M. | | | |
| Code | Sys. | Size | Scale | Dwg nr. | Rev. |
| |  | A3 | / | 46403711 | 0 |
| | | | | | Sheet 1 of 18 |

THIS DRAWING IS THE PROPERTY OF CACCIALANZA & C. S.p.A. AND IS NOT TO BE REPRODUCED OR USED TO FURNISH ANY INFORMATION FOR MAKING OF DRAWINGS OR APPARATUS EXCEPT WHERE PROVIDED FOR BY AGREEMENT WITH SAID COMPANY

a b c d e f g h i j k m n p q r

0
1
2
3
4
5
6
7
8
9

| PANEL BOARD TECHNICAL DATA | | |
|-------------------------------------|---|--------------------------------|
| RATED SERVICE VOLTAGE:.....400V | TYPE OF SEGREGATION:.....FORM 1 | TEMPERATURE:.....40°C |
| RATED INSULATION VOLTAGE:.....1000V | INSTALLATION:.....OUTDOOR | DEGREE OF PROTECTION:.....IP65 |
| RATED FREQUENCY:.....50Hz | COMPLIANCE WITH STANDARD:.....CEI 17/13.1 | COLOR:.....RED RAL3000 |
| ELECTRICAL SYSTEM:.....3Ph+PE | IN/OUT CABLES:.....BOTTOM | |

CACCIALANZA & C. s.p.a
 ANTINCENDIO SICUREZZA ANTINQUINAMENTO
 SEGRATE (MILANO) - ITALY

TITLE
MONITOR 3 MOTIONS
 TYPE A2-A4-A6-A8/EL

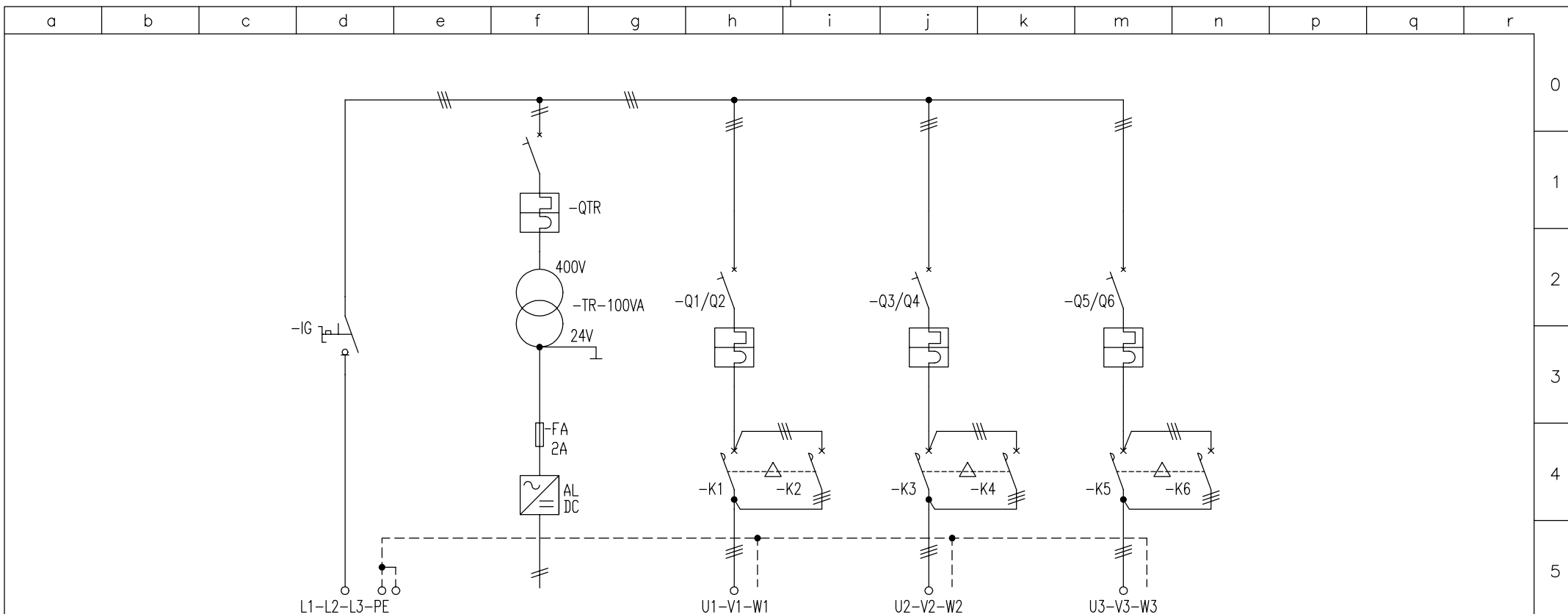
CLIENT

| | | | | | | |
|------|--------|----------|----------|------------|------------|----------|
| | | | DATE | 14.09.2001 | DWG N° | 46403711 |
| | | | SCALE | / | | |
| | | | DRAWN | An.T. | PROJECT N° | |
| 0 | ISSUED | 14.09.01 | CHECKED | ALT. | | |
| REV. | MODIFY | DATE | APPROVED | A.M. | SHEET N° | 3 OF 18 |

a b c d e f g h i j k m n p q r

0
1
2
3
4
5
6
7
8
9

| POWER CIRCUIT | | AUXILIARY CIRCUIT | |
|---------------------|--------------|---------------------|-------|
| MIN. SECTION 2,5mmq | | MIN. SECTION 1,5mmq | |
| CONDUCTOR | | CONDUCTOR | |
| PHASES | BLACK | 24V - C.A. | RED |
| NEUTRAL | LIGHT BLUE | 110V - A.C | RED |
| GROUND | YELLOW-GREEN | 220V - A.C | BLACK |
| | | 24V - D.C | BLUE |
| | | | |
| WIRE COLOUR TABLE | | | |



| USE | CIRCUIT | | n? | | MAIN SUPPLY | | RIGHT/LEFT MONITOR MO1.1 | | UP/DOWN MONITOR MO1.2 | | VALVE -VA1 | |
|-----------------------------|--------------------------------|------------------------------|-------------------|----|-------------|---------|--------------------------|---------|-----------------------|---------|-------------------|-----|
| | DESCRIPTION | | Kw | A | 1,45 | 2,9 | 0,45 | 0,9 | 0,45 | 0,9 | 0,45 | 0,9 |
| ELECTRICAL EQUIPMENT | SWITCH | TYPE | P1-25 /Z | | | | | | | | | |
| | | RATED CURRENT - N. POLES | A | n? | 25 | 3 | | | | | | |
| | | BREAKING CAPACITY | V | KA | 400 | | | | | | | |
| | | SETTING CURRENT MAG. ELEMENT | A | | | | | | | | | |
| | | SETTING CURRENT THE. ELEMENT | A | | | | | | | | | |
| | CON-FACTOR | TYPE | DILER40//G(24VDC) | | | | DILER40//G(24VDC) | | DILER40//G(24VDC) | | DILER40//G(24VDC) | |
| | | RATED CURRENT | A | | | | | | | | | |
| | | UTILIZATION CATEGORY | AC-3 | | | | AC-3 | | AC-3 | | AC-3 | |
| | THERMAL RELAY | TYPE | | | | | | | | | | |
| | | SETTING RANGE | A | | | | | | | | | |
| FUSEHOLDER - TYPE & CURRENT | A | | | | | | | | | | | |
| | FUSES - TYPE & SETTING CURRENT | | A | | | | | | | | | |
| LINE | AMMETER | | | | | | | | | | | |
| | VOLTMETER | | | | | | | | | | | |
| CABLE | TYPE | | | | | | | | | | | |
| | SECTION | mmq | | | | (4G2,5) | | (4G2,5) | | (4G2,5) | | |
| | LANCE | mt | | | | | | | | | | |
| | RATED CURRENT(Iz) | A | | | | | | | | | | |

CACCIALANZA & C. s.p.a
 ANTINCENDIO SICUREZZA ANTINQUINAMENTO
 SEGRATE (MILAND) - ITALY

TITLE
MONITOR 3 MOTIONS
 TYPE A2-A4-A6-A8/EL

CLIENT

| | |
|----------|------------|
| DATE | 14.09.2001 |
| SCALE | / |
| DRAWN | An.T. |
| CHECKED | AL.T. |
| APPROVED | A.M. |

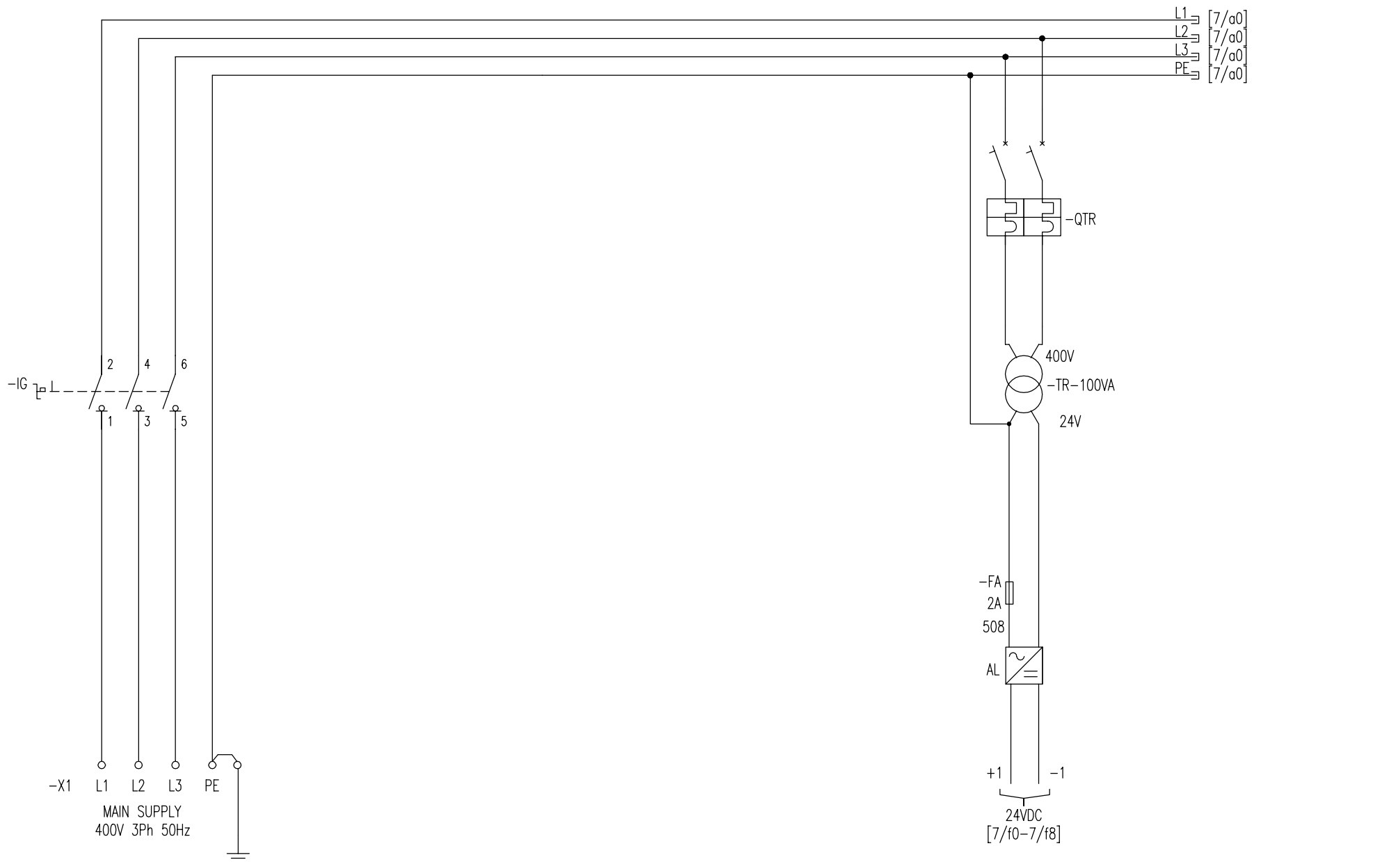
DWG N° **46403711**

PROJECT N°

SHEET N. 5 OF 18

| | | |
|------|--------|----------|
| 0 | ISSUED | 14.09.01 |
| REV. | MODIFY | DATE |

a b c d e f g h i j k m n p q r



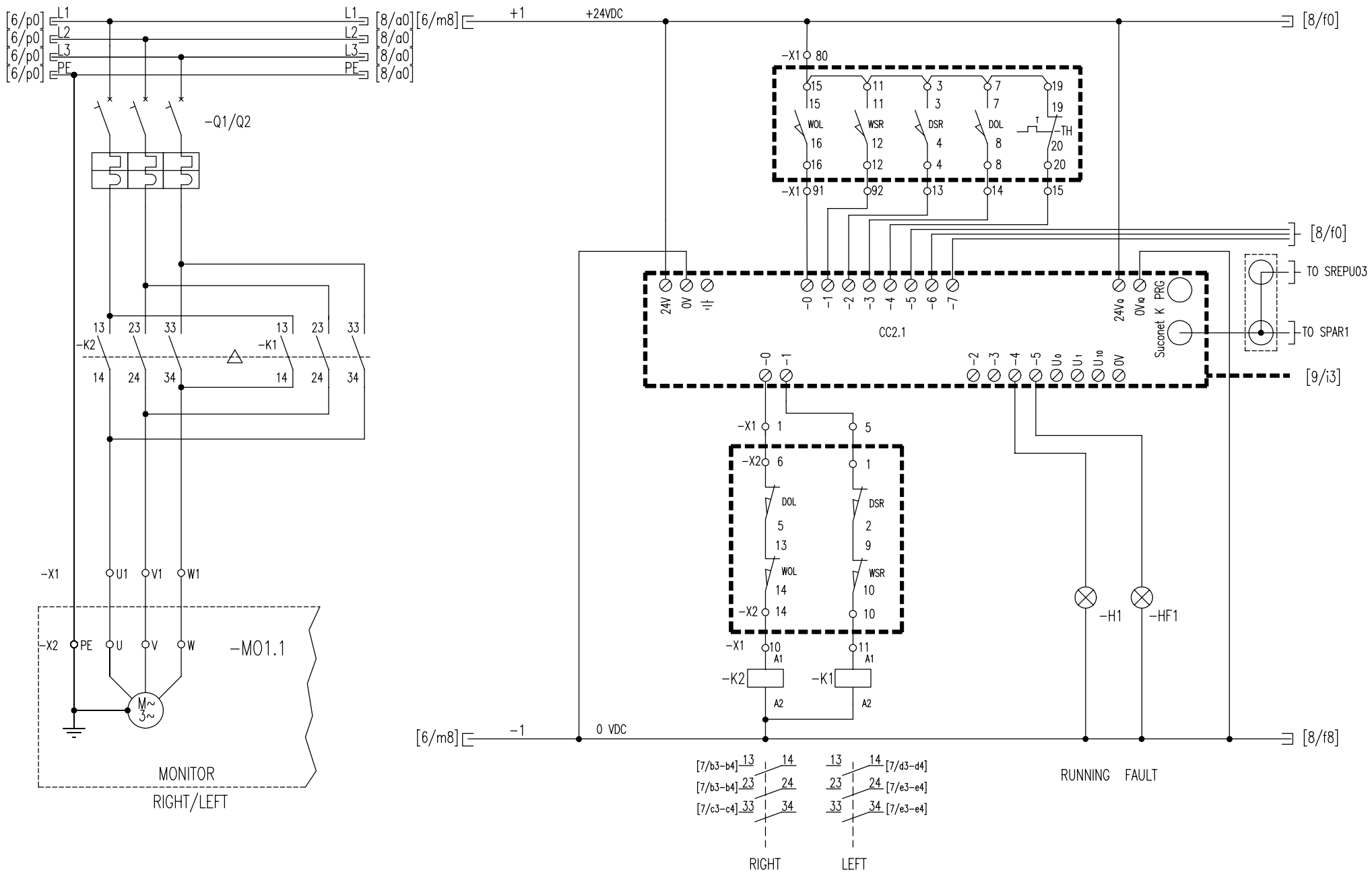
0
1
2
3
4
5
6
7
8
9

CACCIALANZA & C. s.p.a.
ANTINCENDIO SICUREZZA ANTINQUINAMENTO
SEGRATE (MILANO) - ITALY

TITLE
MONITOR 3 MOTIONS
TYPE A2-A4-A6-A8/EL

CLIENT

| | | | | | |
|------|--------|----------|------------|------------|------------------|
| | | DATE | 14.09.2001 | DWG N° | 46403711 |
| | | SCALE | / | PROJECT N° | |
| | | DRAWN | An.T. | | |
| 0 | ISSUED | 14.09.01 | CHECKED | AL.T. | |
| REV. | MODIFY | DATE | APPROVED | A.M. | SHEET N° 6 OF 18 |



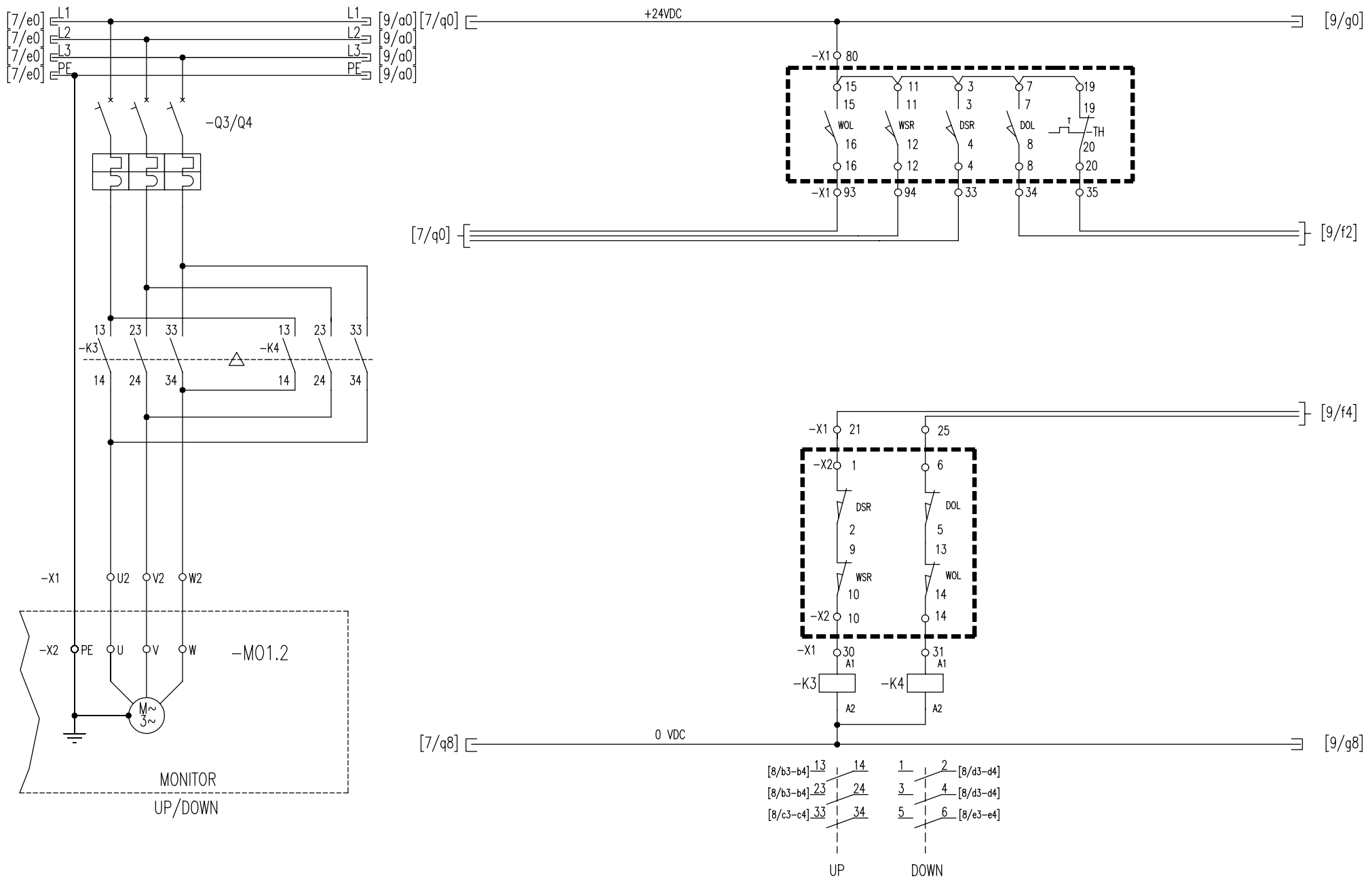
CACCIALANZA & C. s.p.a.
 ANTINCENDIO SICUREZZA ANTINQUINAMENTO
 SEGRATE (MILAND) - ITALY

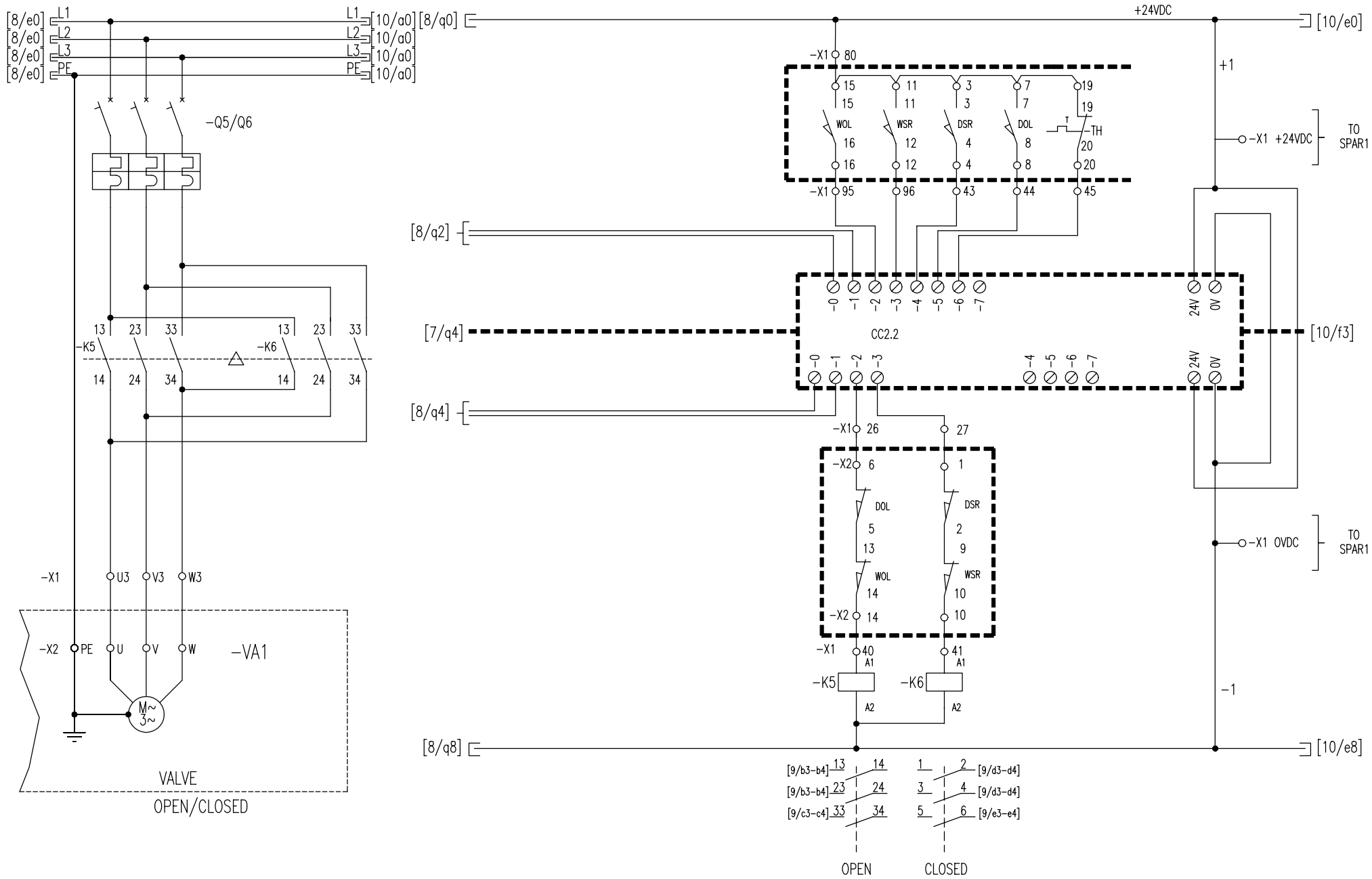
TITLE
MONITOR 3 MOTIONS
 TYPE A2-A4-A6-A8/EL

CLIENT

| | |
|----------|------------|
| DATE | 14.09.2001 |
| SCALE | / |
| DRAWN | An.T. |
| CHECKED | AL.T. |
| APPROVED | A.M. |
| REV. | MODIFY |
| 0 | ISSUED |
| 14.09.01 | CHECKED |

DWG N° **46403711**
 PROJECT N°
 SHEET N. 7 OF 18





CACCIALANZA & C. s.p.a.
 ANTINCENDIO SICUREZZA ANTINQUINAMENTO
 SEGRATE (MILAND) - ITALY

TITLE
MONITOR 3 MOTIONS
 TYPE A2-A4-A6-A8/EL

CLIENT

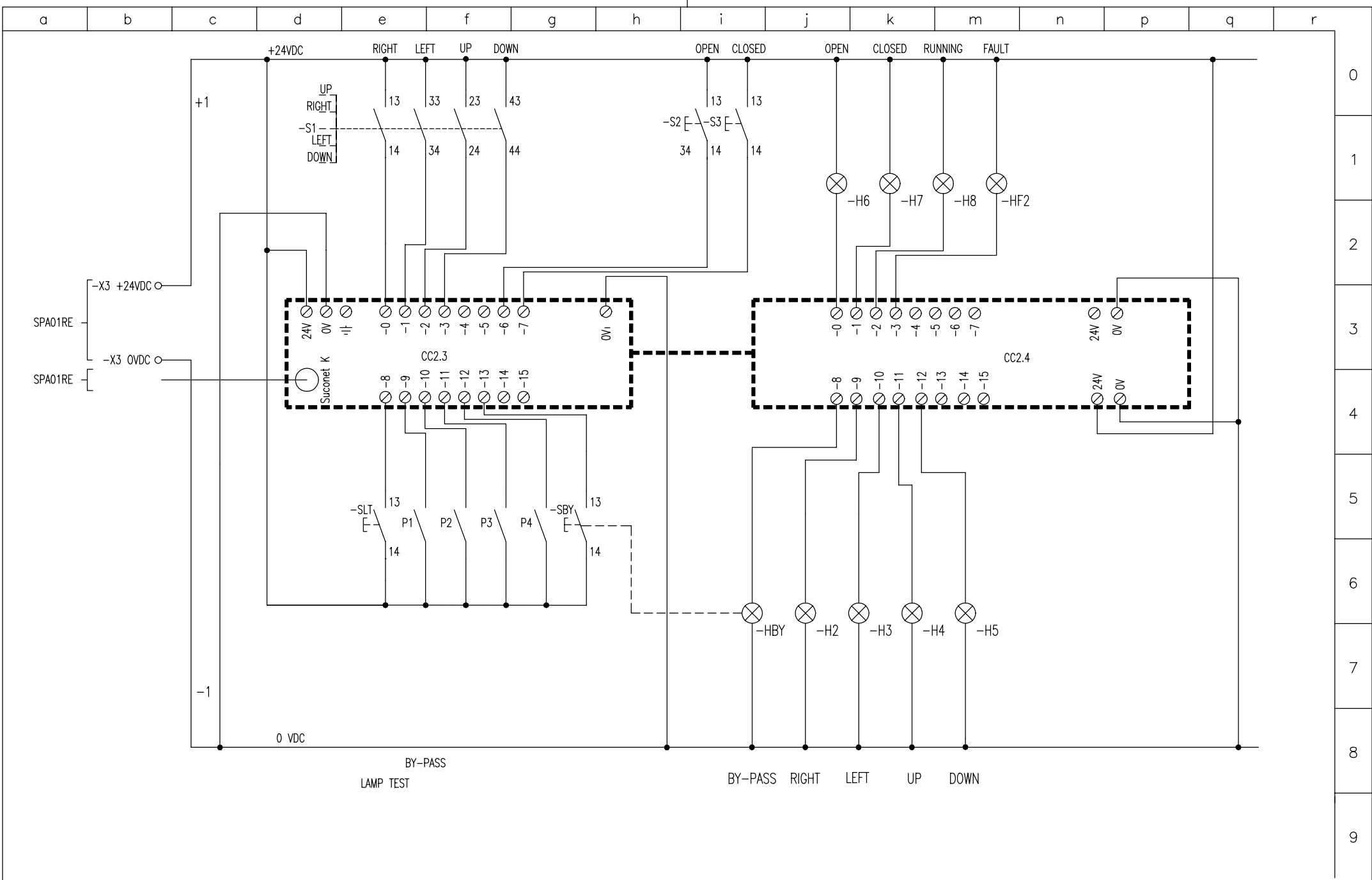
| | |
|----------|------------|
| DATE | 14.09.2001 |
| SCALE | / |
| DRAWN | An.T. |
| CHECKED | AL.T. |
| APPROVED | A.M. |

DWG N° **46403711**

PROJECT N°

SHEET N. 9 OF 18

| | | |
|------|--------|----------|
| 0 | ISSUED | 14.09.01 |
| REV. | MODIFY | DATE |



CACCIALANZA & C. S.p.A.
 ANTINCENDIO SICUREZZA ANTINQUINAMENTO
 SEGRATE (MILANO) - ITALY

TITLE
MONITOR 3 MOTIONS
 TYPE A2-A4-A6-A8/EL

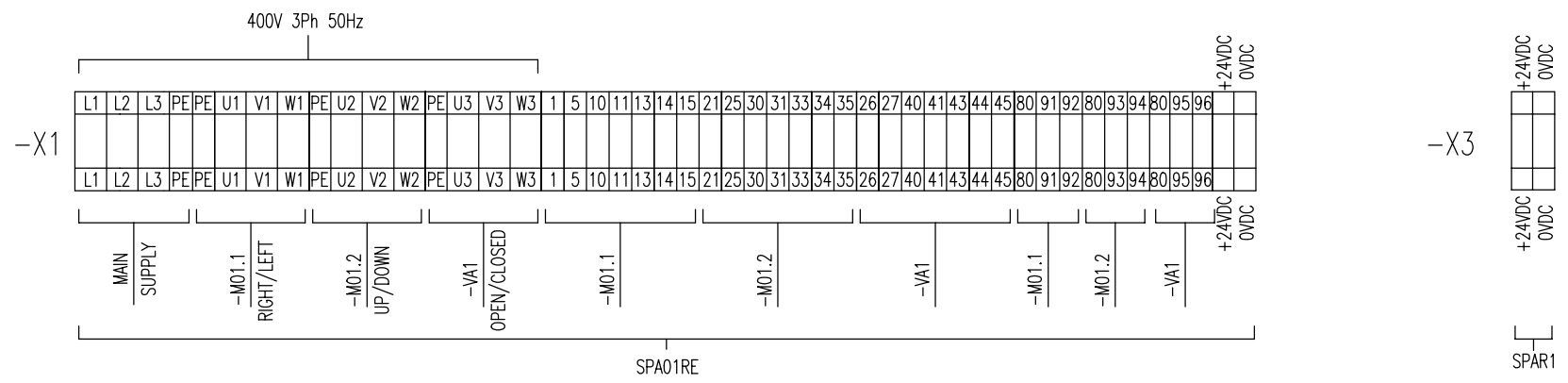
CLIENT

| | |
|----------|------------|
| DATE | 14.09.2001 |
| SCALE | / |
| DRAWN | An.T. |
| CHECKED | ALT. |
| DATE | 14.09.01 |
| APPROVED | A.M. |
| REV. | MODIFY |

DWG N° **46403711**

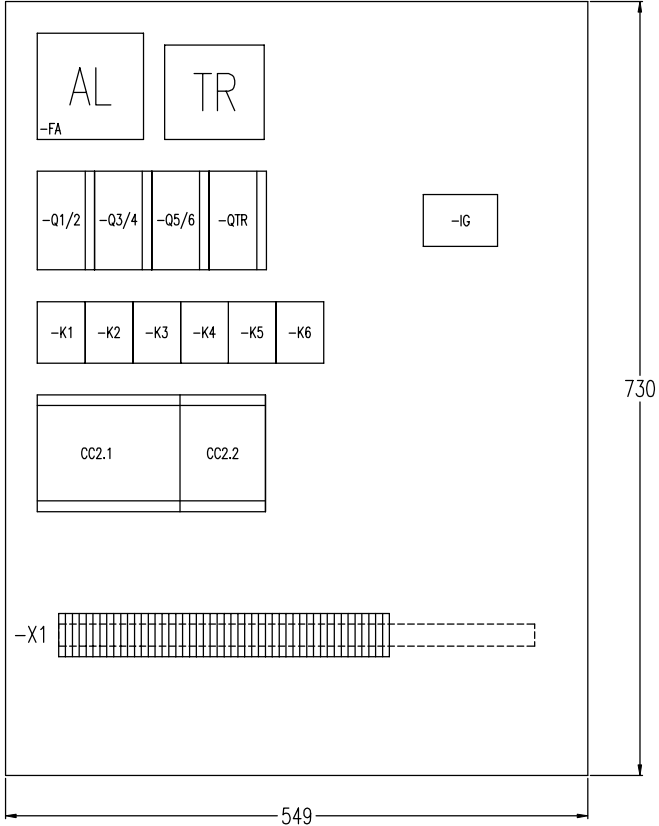
PROJECT N°

SHEET N°. 10 OF 18

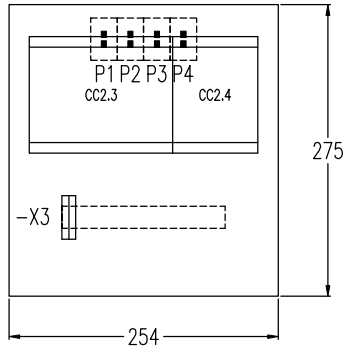


a b c d e f g h i j k m n p q r

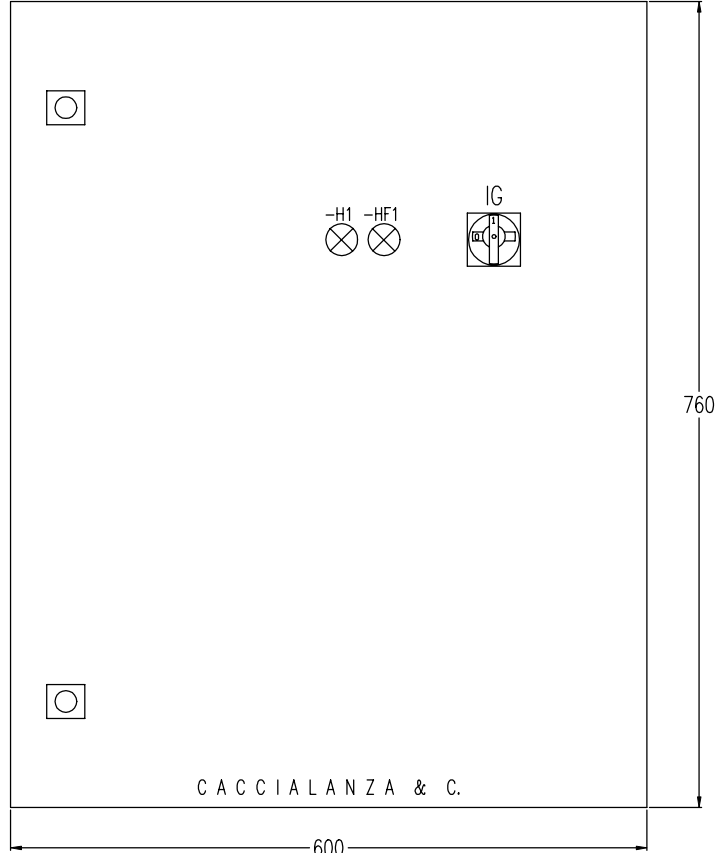
SPA01RE



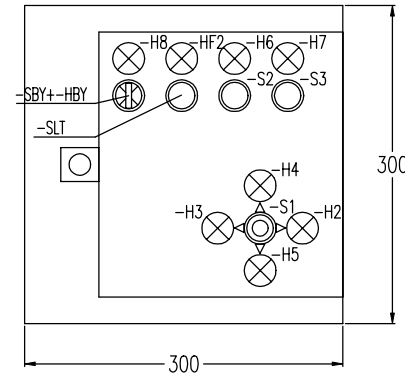
SPAR1



SPA01RE



SPAR1



DEPTH: 210mm

0
1
2
3
4
5
6
7
8
9

CACCIALANZA & C. s.p.a.
ANTINCENDIO SICUREZZA ANTINQUINAMENTO
SEGRATE (MILANO) - ITALY

TITLE
MONITOR 3 MOTIONS
TYPE A2-A4-A6-A8/EL

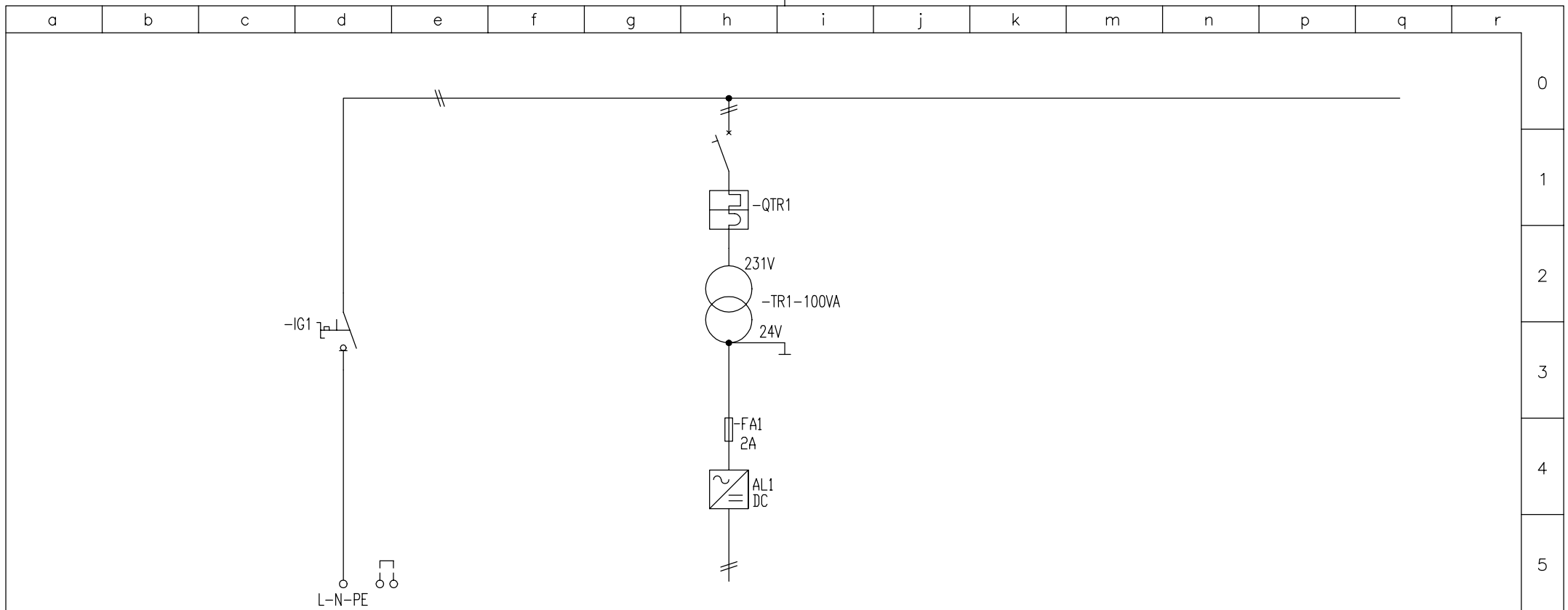
CLIENT

| | |
|----------|------------|
| DATE | 14.09.2001 |
| SCALE | / |
| DRAWN | An.T. |
| CHECKED | AL.T. |
| APPROVED | A.M. |
| REV. | MODIFY |
| DATE | 14.09.01 |

DWG N° 46403711

PROJECT N°

SHEET N°. 12 OF 18



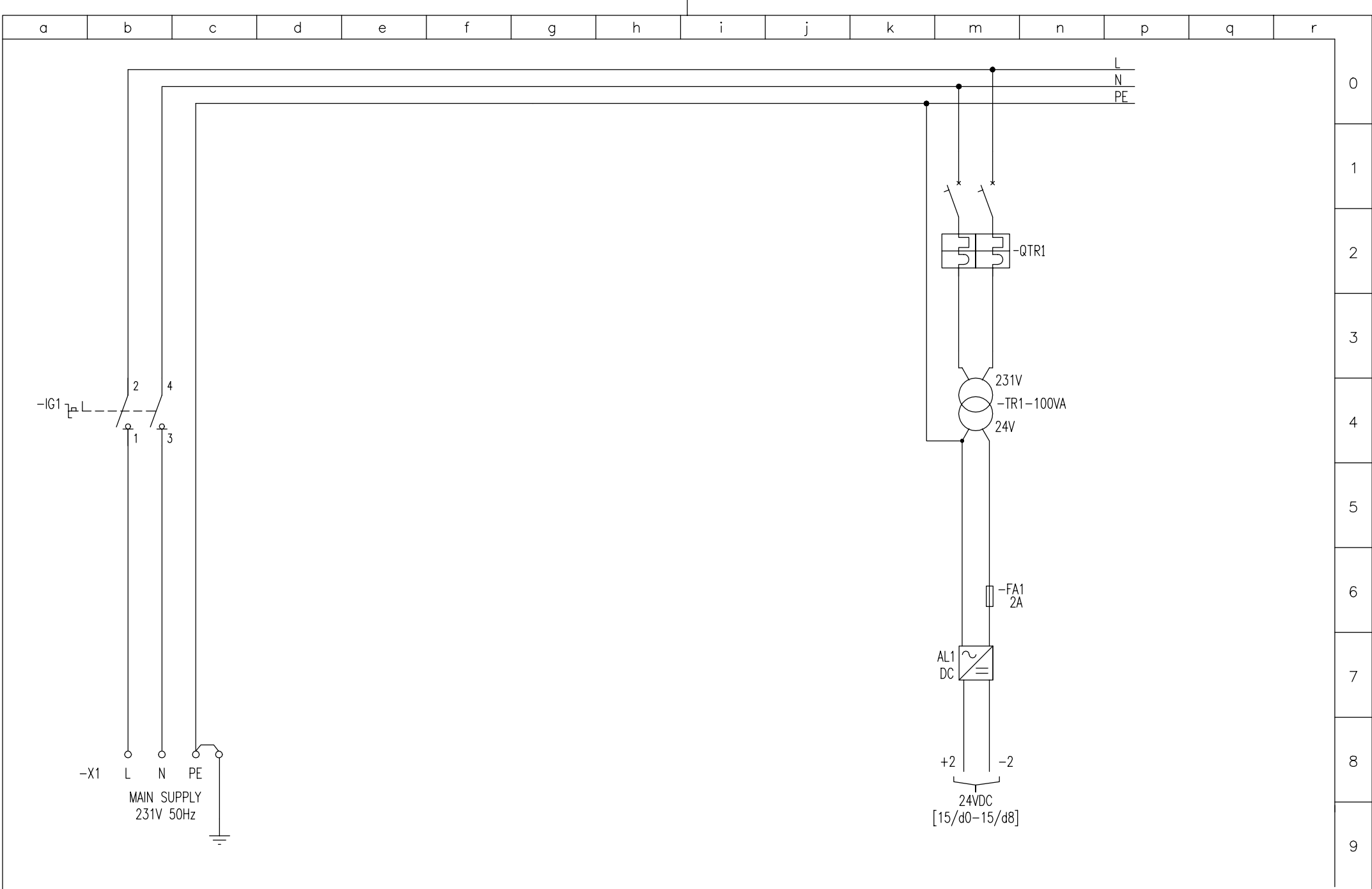
| USE | CIRCUIT | | n? | | DESCRIPTION | | MAIN FEEDER (SREPU03) | |
|--------------------------------|---------------------|------------------------------|---------|----|-------------|---|-----------------------|-----|
| | RATED SERVICE POWER | AND CURRENT | Kw | A | Kw | A | 0,1 | 0,6 |
| ELECTRICAL EQUIPMENT | SWITCH | TYPE | P1-25/Z | | | | | |
| | | RATED CURRENT - N. POLES | A | n? | 25 | 2 | | |
| | | BREAKING CAPACITY | V | KA | 231 | | | |
| | CON-FACTOR | SETTING CURRENT MAG. ELEMENT | A | | | | | |
| | | SETTING CURRENT THE. ELEMENT | A | | | | | |
| | | SETTING CURRENT Id | A | | | | | |
| | THERMAL RELAY | TYPE | | | | | | |
| | | RATED CURRENT | A | | | | | |
| | | UTILIZATION CATEGORY | | | | | | |
| | FUSEHOLDER | TYPE & CURRENT | A | | | | | |
| FUSES - TYPE & SETTING CURRENT | | A | | | | | | |
| AMMETER | | | | | | | | |
| VOLTMETER | | | | | | | | |
| LINE | CABLE | TYPE | | | | | | |
| | | SECTION | mmq | | | | | |
| | | LANCE | mt | | | | | |
| | | RATED CURRENT(Iz) | A | | | | | |

CACCIALANZA & C. s.p.a
 ANTINCENDIO SICUREZZA ANTINQUINAMENTO
 SEGRATE (MILANO) - ITALY

TITLE
MONITOR 3 MOTIONS
 TYPE A2-A4-A6-A8/EL

CLIENT

| | | | |
|----------|------------|------------|---------------|
| DATE | 14.09.2001 | DWG N° | 46403711 |
| SCALE | / | PROJECT N° | |
| DRAWN | An.T. | | |
| 0 ISSUED | 14.09.01 | CHECKED | AL.T. |
| REV. | MODIFY | DATE | APPROVED A.M. |
| | | SHEET N° | 13 OF 18 |

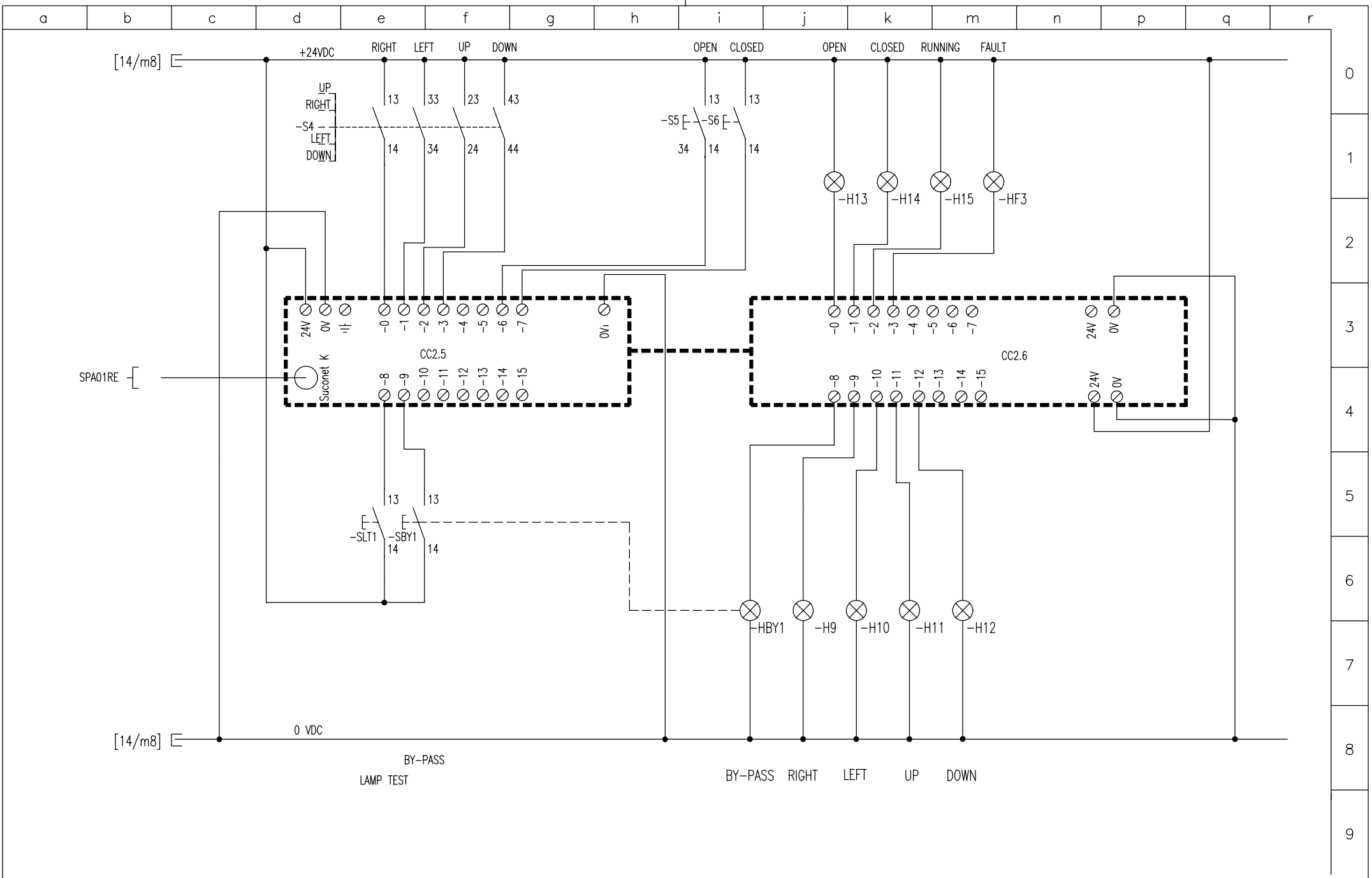


CACCIALANZA & C. s.p.a.
 ANTINCENDIO SICUREZZA ANTINQUINAMENTO
 SEGRATE (MILANO) - ITALY

TITLE
 MONITOR 3 MOTIONS
 TYPE A2-A4-A6-A8/EL

CLIENT

| | | | | | |
|------|--------|----------|------------|------------|--------------------|
| | | DATE | 14.09.2001 | DWG N° | 46403711 |
| | | SCALE | / | PROJECT N° | |
| | | DRAWN | An.T. | | |
| 0 | ISSUED | 14.09.01 | CHECKED | AL.T. | |
| REV. | MODIFY | DATE | APPROVED | A.M. | SHEET N°. 14 OF 18 |



CACCIALANZA & C. s.p.a.
 ANTINCENDIO SICUREZZA ANTINQUINAMENTO
 SEGRATE (MILANO) - ITALY

TITLE
 MONITOR 3 MOTIONS
 TYPE A2-A4-A6-A8/EL

CLIENT

| | |
|----------|------------|
| DATE | 14.09.2001 |
| SCALE | / |
| DRAWN | An.T. |
| CHECKED | ALT. |
| DATE | APPROVED |
| APPROVED | A.M. |

DWG N° 46403711

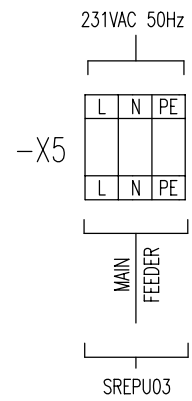
PROJECT N°

SHEET N° 15 OF 18

| | | |
|------|--------|----------|
| 0 | ISSUED | 14.09.01 |
| REV. | MODIFY | DATE |

a b c d e f g h i j k m n p q r

0
1
2
3
4
5
6
7
8
9



CACCIALANZA & C. s.p.a.
 ANTINCENDIO SICUREZZA ANTINQUINAMENTO
 SEGRATE (MILANO) - ITALY

TITLE
MONITOR 3 MOTIONS
 TYPE A2-A4-A6-A8/EL

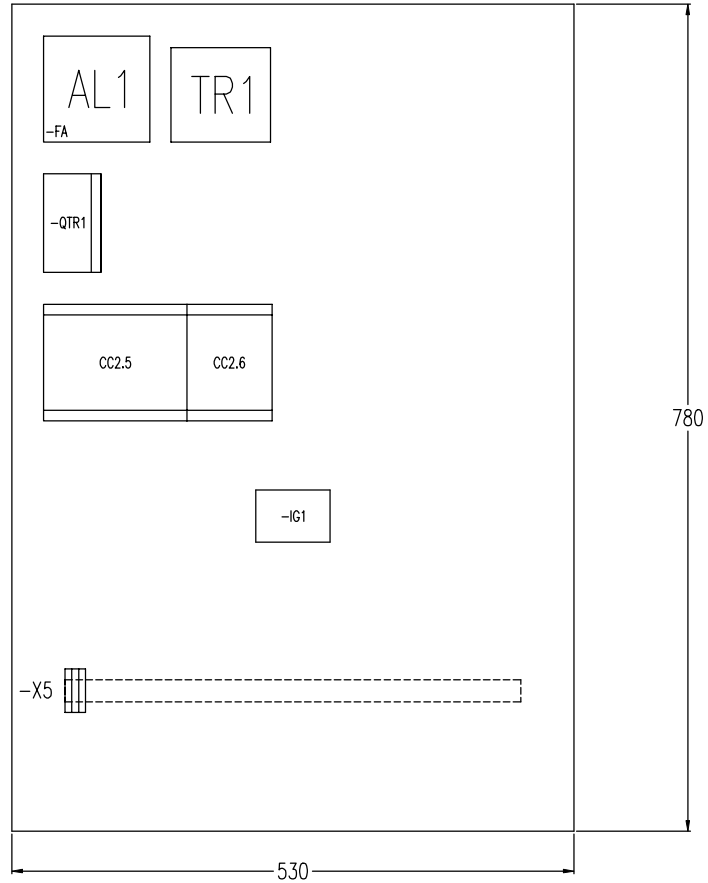
CLIENT

| | | | | | | |
|------|--------|----------|----------|------------|------------|----------|
| | | | DATE | 14.09.2001 | DWG N° | 46403711 |
| | | | SCALE | / | | |
| | | | DRAWN | An.T. | PROJECT N° | |
| 0 | ISSUED | 14.09.01 | CHECKED | ALT. | | |
| REV. | MODIFY | DATE | APPROVED | A.M. | SHEET N° | 16 OF 18 |

a b c d e f g h i j k m n p q r

0
1
2
3
4
5
6
7
8
9

SREPU03



MAIN PANEL BOARD

CACCIALANZA & C. s.p.a
 ANTINCENDIO SICUREZZA ANTINQUINAMENTO
 SEGRATE (MILANO) - ITALY

TITLE
MONITOR 3 MOTIONS
 TYPE A2-A4-A6-A8/EL

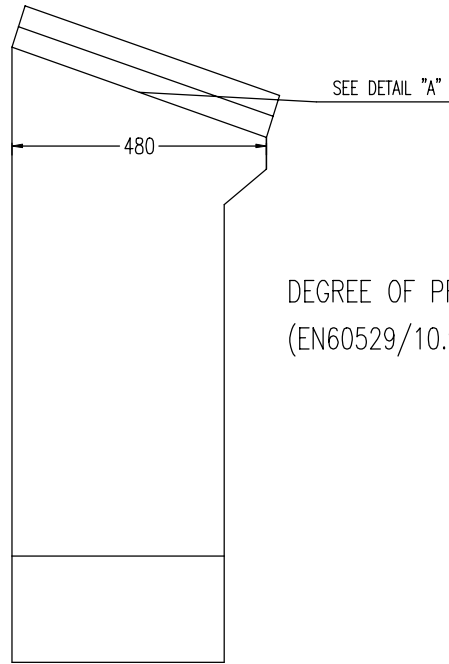
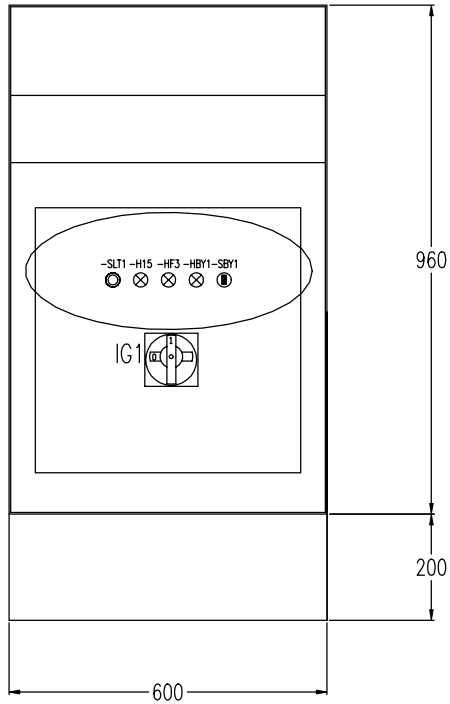
CLIENT

| | | | | | | |
|------|--------|----------|----------|------------|------------|----------|
| | | | DATE | 14.09.2001 | DWG N° | 46403711 |
| | | | SCALE | / | PROJECT N° | |
| | | | DRAWN | An.T. | | |
| 0 | ISSUED | 14.09.01 | CHECKED | ALT. | | |
| REV. | MODIFY | DATE | APPROVED | A.M. | SHEET N° | 17 OF 18 |

a b c d e f g h i j k m n p q r

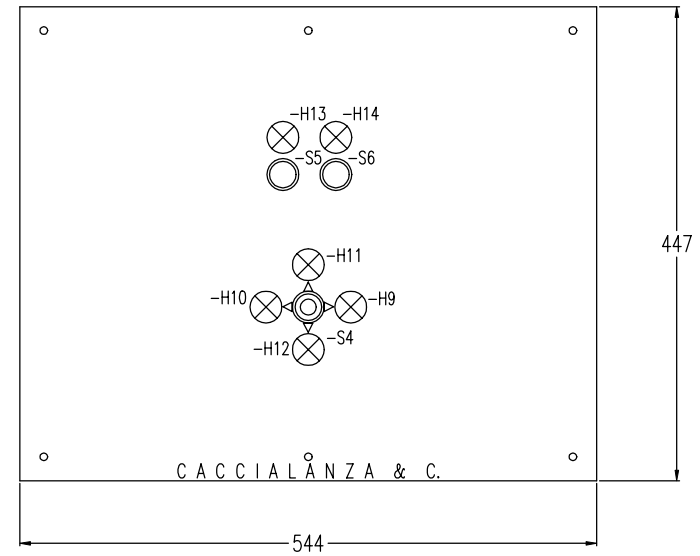
0
1
2
3
4
5
6
7
8
9

SREPU03



DEGREE OF PROTECTION IP55
(EN60529/10.91)

DETAIL "A"



CACCIALANZA & C. s.p.a.
ANTINCENDIO SICUREZZA ANTINQUINAMENTO
SEGRATE (MILANO) - ITALY

TITLE
MONITOR 3 MOTIONS
TYPE A2-A4-A6-A8/EL

CLIENT

| | | | | |
|------|--------|----------|----------|------------|
| | | | DATE | 14.09.2001 |
| | | | SCALE | / |
| | | | DRAWN | An.T. |
| 0 | ISSUED | 14.09.01 | CHECKED | ALT. |
| REV. | MODIFY | DATE | APPROVED | A.M. |

DWG N° 46403711

PROJECT N°

SHEET N° 18 OF 18