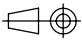


0	14.09.2001	ISSUED	An.T.	Al.T.	A.M.	
Rev.	Date	Description	Drawn	Checked	Approved	
<b>CACCIALANZA &amp; C.</b> <small>s.p.A.</small> ANTINCENDIO SICUREZZA ANTINQUINAMENTO SEGRATE (MILAND) - ITALY		Client / Project				
		Title				
	Date	Name	PANEL 1 MONITOR (2 MOV.)			
Drawn	14.09.2001	An.T.	EXPANDED EXECUTION WITH SEPARATE COMMAND BOX AND REMOTE COMMAND PANEL			
Checked	14.09.2001	Al.T.				
Approved	14.09.2001	A.M.				
Code	Sys.	Size	Scale	Dwg nr.	Rev.	Sheet
		A3	/	46403701	0	1
						of 18
THIS DRAWING IS THE PROPERTY OF CACCIALANZA & C. S.p.A. AND IS NOT TO BE REPRODUCED OR USED TO FURNISH ANY INFORMATION FOR MAKING OF DRAWINGS OR APPARATUS EXCEPT WHERE PROVIDED FOR BY AGREEMENT WITH SAID COMPANY						



a b c d e f g h i j k m n p q r

0  
1  
2  
3  
4  
5  
6  
7  
8  
9

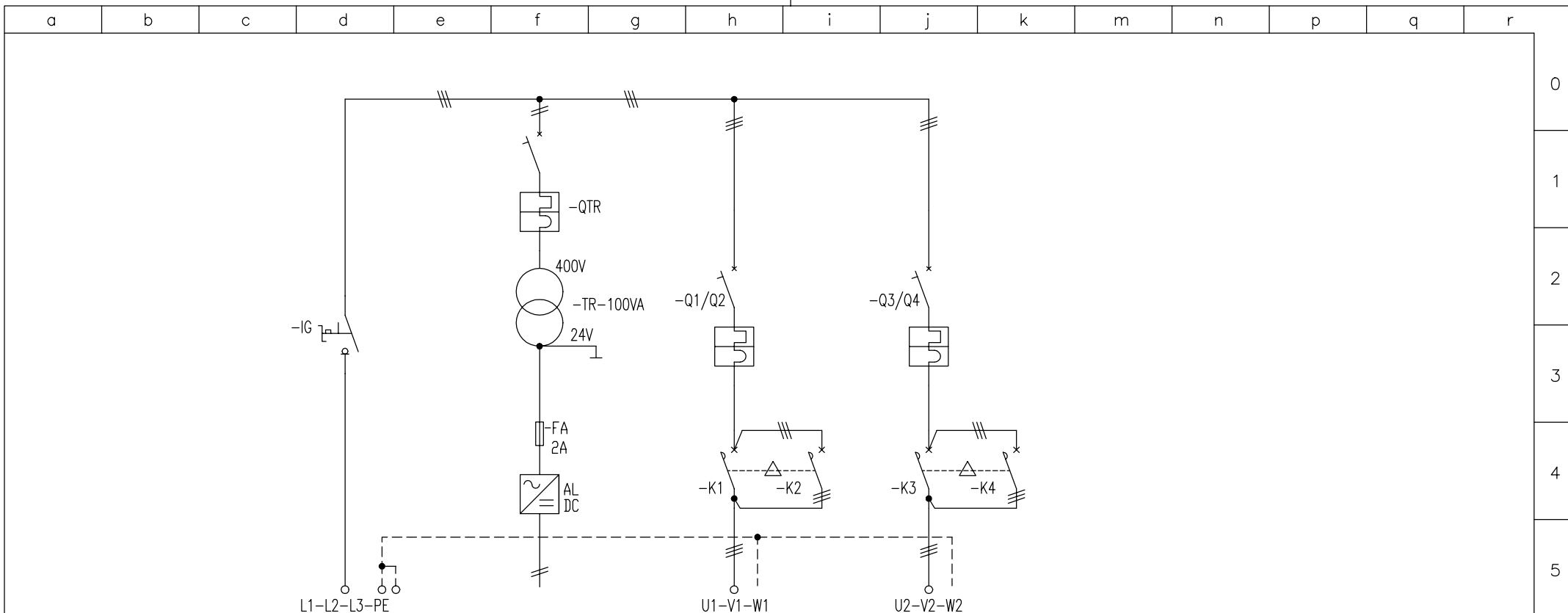
PANEL BOARD TECHNICAL DATA		
RATED SERVICE VOLTAGE:.....400V	TYPE OF SEGREGATION:.....FORM 1	TEMPERATURE:.....40°C
RATED INSULATION VOLTAGE:.....1000V	INSTALLATION:.....OUTDOOR	DEGREE OF PROTECTION:.....IP65
RATED FREQUENCY:.....50Hz	COMPLIANCE WITH STANDARD:.....CEI 17/13.1	COLOR:.....RED RAL3000
ELECTRICAL SYSTEM:.....3Ph+PE	IN/OUT CABLES:.....BOTTOM	

<b>CACCIALANZA &amp; C. s.p.a</b> ANTINCENDIO SICUREZZA ANTINQUINAMENTO SEGRATE (MILANO) - ITALY	TITLE	CLIENT	DATE	14.09.2001	DWG N°	46403701	
	MONITOR 2 MOTIONS		SCALE	/	PROJECT N°		
	TYPE A2-A4-A6-A8/EL		DRAWN	An.T.			
			0	ISSUED	14.09.01	CHECKED	ALT.
			REV.	MODIFY	DATE	APPROVED	A.M.
					SHEET N°	3 OF 18	

a b c d e f g h i j k m n p q r

0  
1  
2  
3  
4  
5  
6  
7  
8  
9

POWER CIRCUIT		AUXILIARY CIRCUIT	
MIN. SECTION 2,5mmq		MIN. SECTION 1,5mmq	
CONDUCTOR		CONDUCTOR	
PHASES	BLACK	24V - C.A.	RED
NEUTRAL	LIGHT BLUE	110V - A.C	RED
GROUND	YELLOW-GREEN	220V - A.C	BLACK
		24V - D.C	BLUE
WIRE COLOUR TABLE			



USE	CIRCUIT		n?		MAIN SUPPLY		RIGHT/LEFT MONITOR MO1.1		UP/DOWN MONITOR MO1.2	
	DESCRIPTION		Kw	A	1	2	0,45	0,9	0,45	0,9
ELECTRICAL EQUIPMENT	SWITCH	TYPE			P1-25 /Z					
		RATED CURRENT - N. POLES	A	n?	25	3				
		BREAKING CAPACITY	V	KA	400					
		SETTING CURRENT MAG. ELEMENT			A					
		SETTING CURRENT THE. ELEMENT			A					
	THERMAL RELAY	TYPE					DILER40//G(24VDC)		DILER40/G(24VDC)	
		RATED CURRENT			A					
		UTILIZATION CATEGORY								
		SETTING RANGE			A					
		SETTING CURRENT			A					
FUSEHOLDER - TYPE & CURRENT			A							
	FUSES - TYPE & SETTING CURRENT		A							
AMMETER										
	VOLTMETER									
LINE	CABLE	TYPE								
		SECTION	mmq				(4G2,5)		(4G2,5)	
		LANCE	mt							
		RATED CURRENT(Iz)	A							

**CACCIALANZA & C. s.p.a**  
 ANTINCENDIO SICUREZZA ANTINQUINAMENTO  
 SEGRATE (MILAND) - ITALY

TITLE  
**MONITOR 2 MOTIONS**  
 TYPE A2-A4-A6-A8/EL

CLIENT

DATE	14.09.2001
SCALE	/
DRAWN	An.T.
CHECKED	AL.T.
APPROVED	A.M.

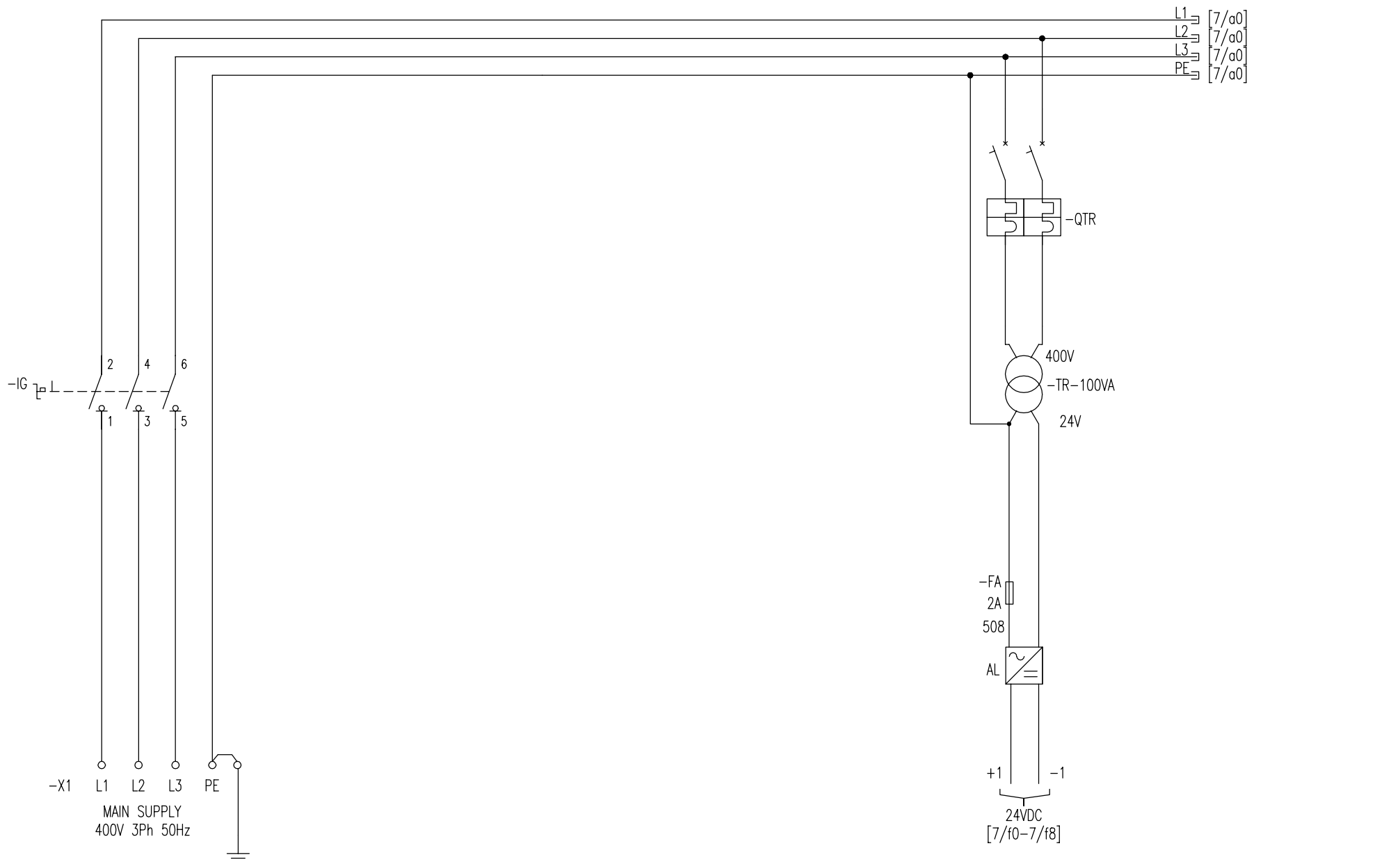
DWG N° **46403701**

PROJECT N°

SHEET N°. 5 OF 18

0	ISSUED	14.09.01
REV.	MODIFY	DATE

a b c d e f g h i j k m n p q r



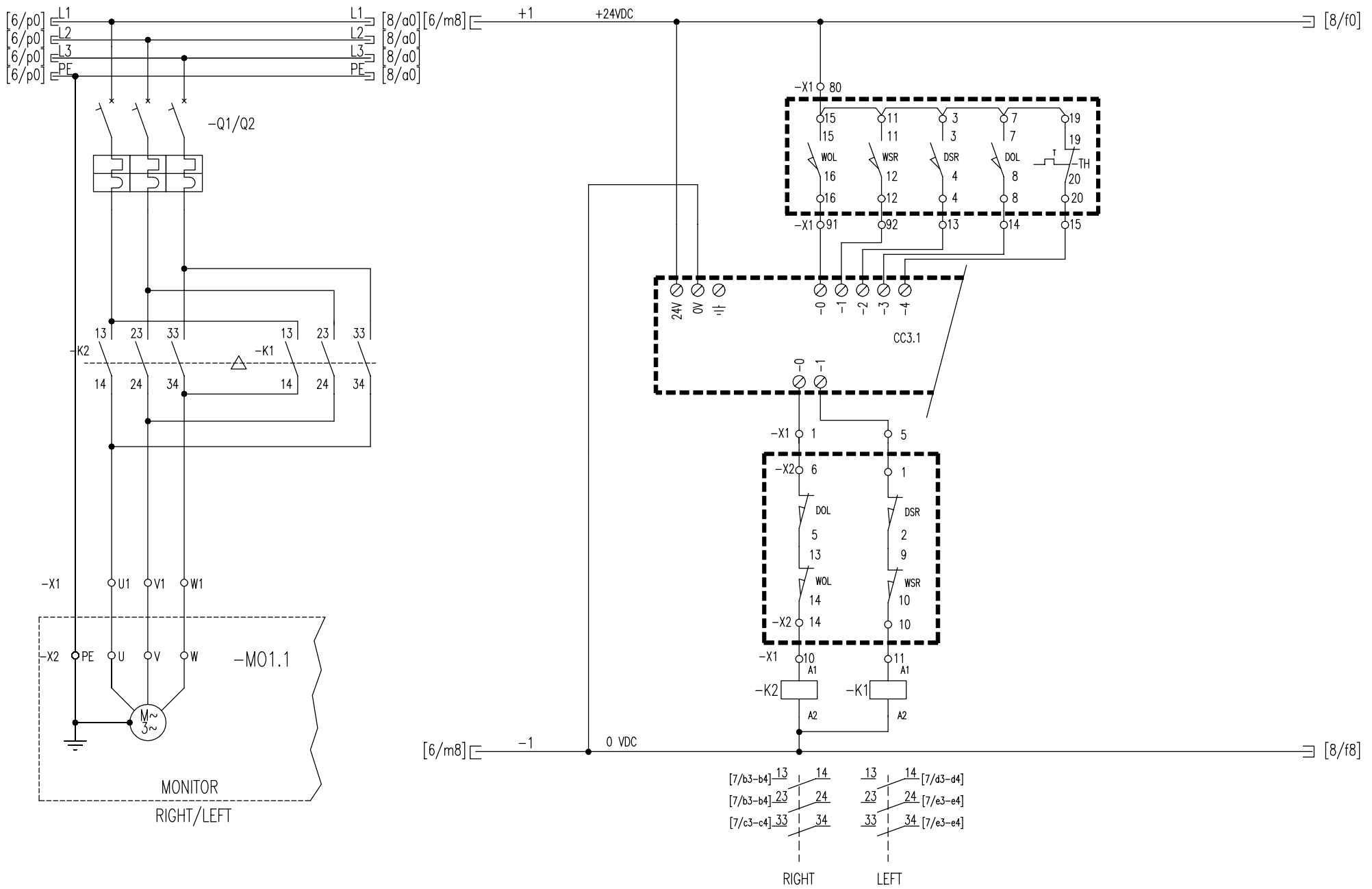
0  
1  
2  
3  
4  
5  
6  
7  
8  
9

CACCIALANZA & C. s.p.a.  
 ANTINCENDIO SICUREZZA ANTINQUINAMENTO  
 SEGRATE (MILANO) - ITALY

TITLE  
 MONITOR 2 MOTIONS  
 TYPE A2-A4-A6-A8/EL

CLIENT

		DATE	14.09.2001	DWG N°	46403701
		SCALE	/	PROJECT N°	
		DRAWN	An.T.		
0	ISSUED	14.09.01	CHECKED	AL.T.	
REV.	MODIFY	DATE	APPROVED	A.M.	SHEET N° 6 OF 18



CACCIALANZA & C. s.p.a.  
ANTINCENDIO SICUREZZA ANTINQUINAMENTO  
SEGRATE (MILANO) - ITALY

TITLE  
MONITOR 2 MOTIONS  
TYPE A2-A4-A6-A8/EL

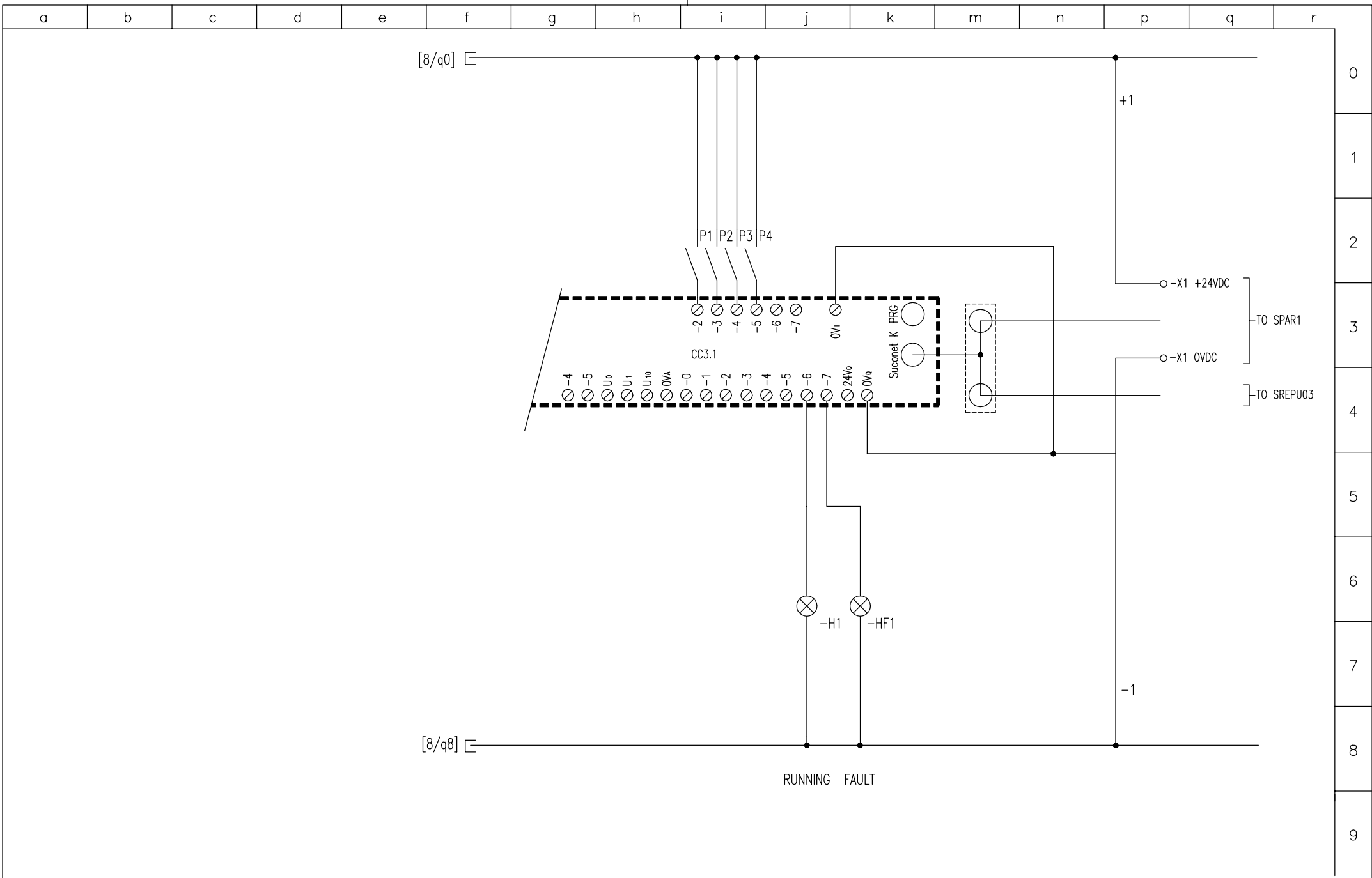
CLIENT

DATE	14.09.2001
SCALE	/
DRAWN	An.T.
CHECKED	AL.T.
APPROVED	A.M.
0 ISSUED	14.09.01
REV.	MODIFY

DWG N° 46403701  
PROJECT N°  
SHEET N. 7 OF 18







CACCIALANZA & C. s.p.a.  
 ANTINCENDIO SICUREZZA ANTINQUINAMENTO  
 SEGRATE (MILANO) - ITALY

TITLE  
**MONITOR 2 MOTIONS**  
 TYPE A2-A4-A6-A8/EL

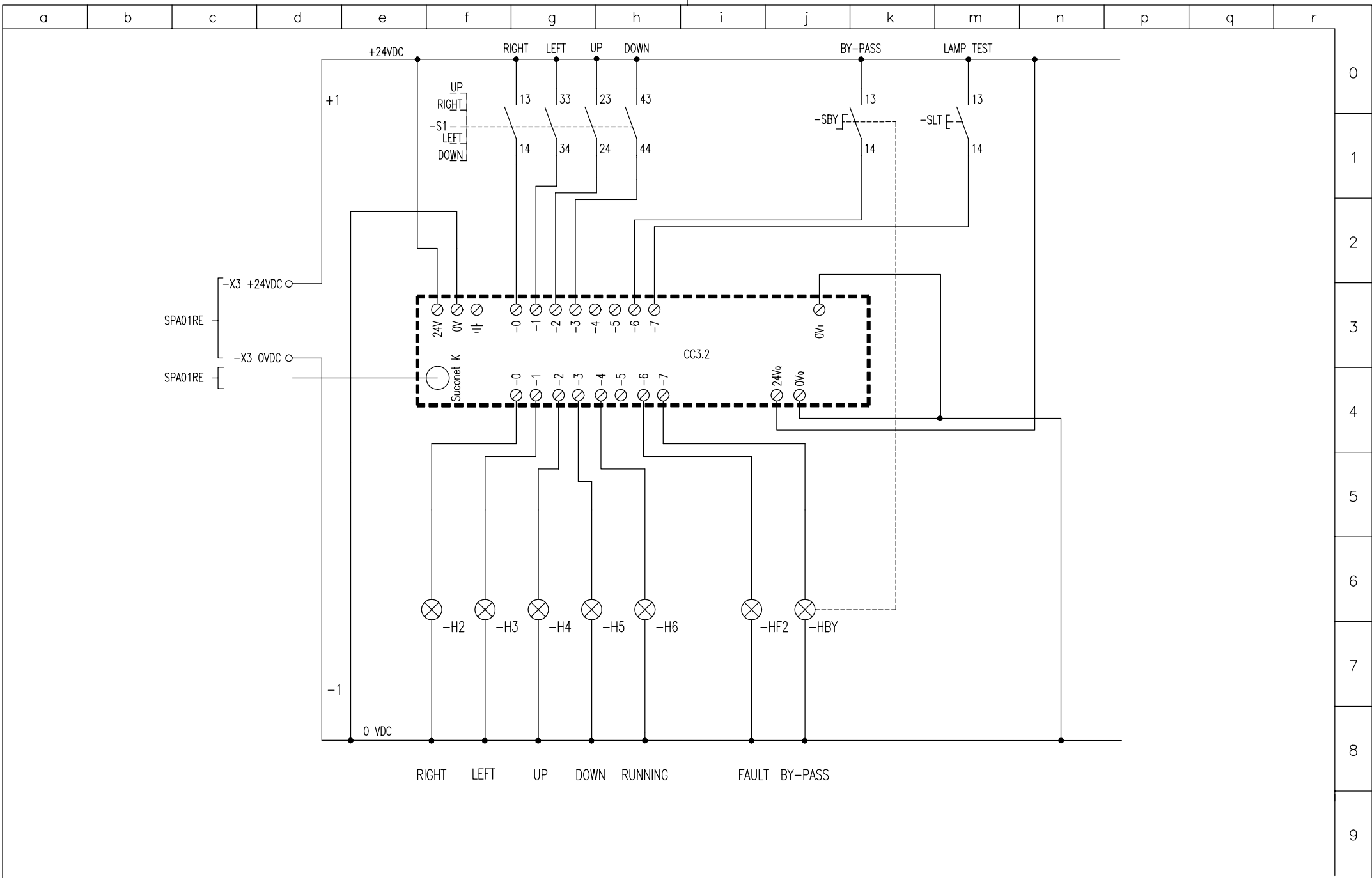
CLIENT

DATE	14.09.2001
SCALE	/
DRAWN	An.T.
CHECKED	ALT.
DATE	APPROVED
REV.	AM.

DWG N° 46403701

PROJECT N°

SHEET N° 9 OF 18



**CACCIALANZA & C. S.p.A.**  
 ANTINCENDIO SICUREZZA ANTINQUINAMENTO  
 SEGRATE (MILANO) - ITALY

TITLE  
**MONITOR 2 MOTIONS**  
 TYPE A2-A4-A6-A8/EL

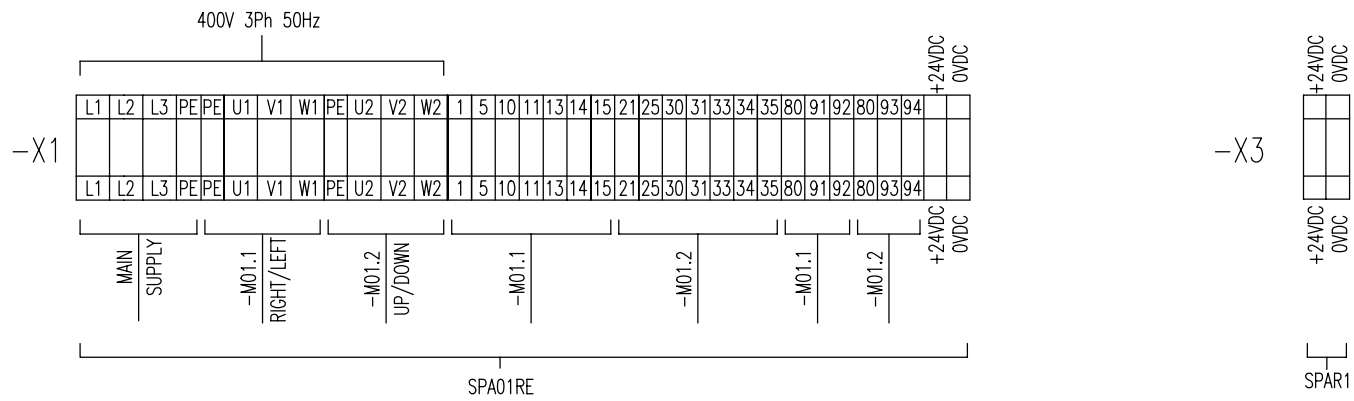
CLIENT

DATE	14.09.2001
SCALE	/
DRAWN	An.T.
CHECKED	AL.T.
DATE	APPROVED
REV.	MODIFY

DWG N°	46403701
PROJECT N°	
SHEET N°.	10 OF 18

a b c d e f g h i j k m n p q r

0  
1  
2  
3  
4  
5  
6  
7  
8  
9



**CACCIALANZA & C. s.p.a.**  
 ANTINCENDIO SICUREZZA ANTINQUINAMENTO  
 SEGRATE (MILANO) - ITALY

TITLE  
**MONITOR 2 MOTIONS**  
 TYPE A2-A4-A6-A8/EL

CLIENT

DATE	14.09.2001
SCALE	/
DRAWN	An.T.
0 ISSUED	14.09.01 CHECKED
REV.	MODIFY DATE APPROVED A.M.

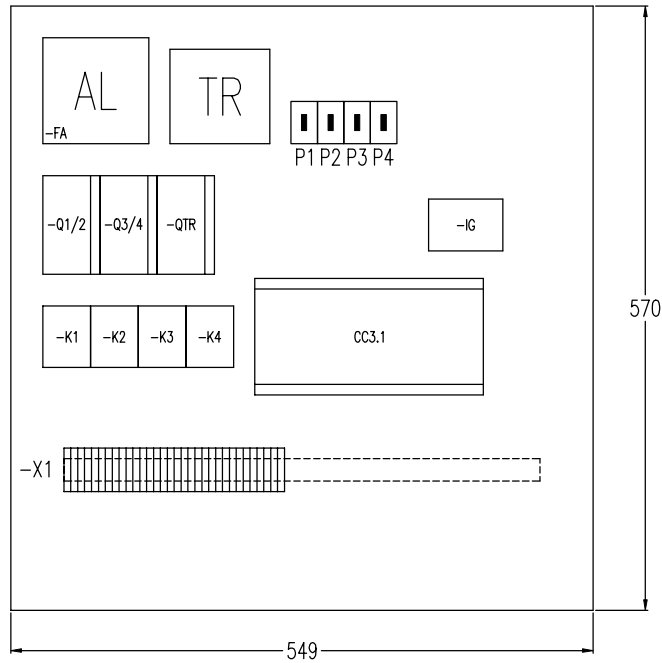
DWG N° **46403701**

PROJECT N°

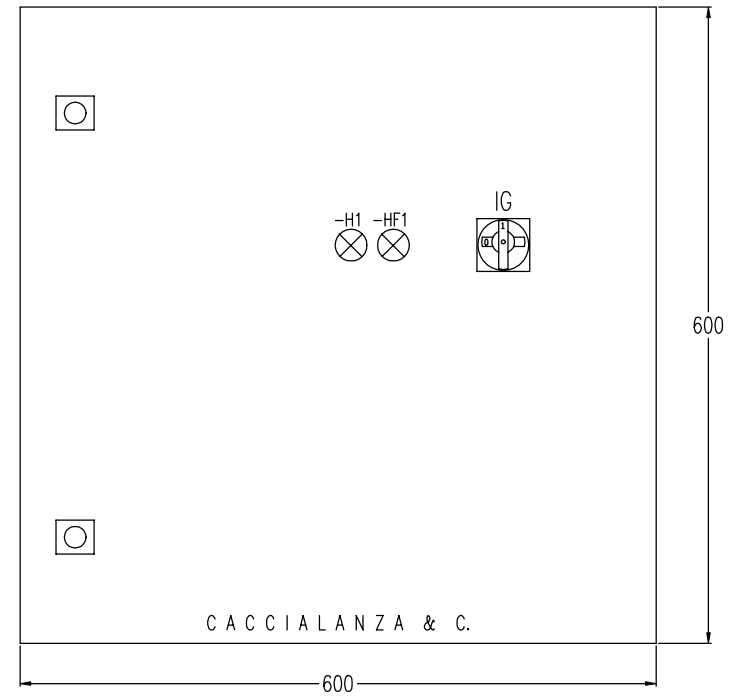
SHEET N° 11 OF 18

a b c d e f g h i j k m n p q r

SPA01RE

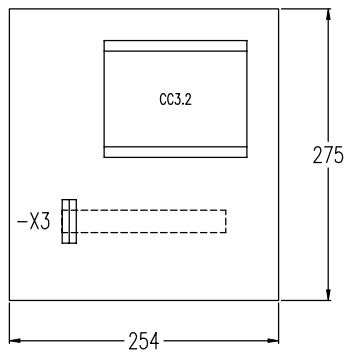


SPA01RE

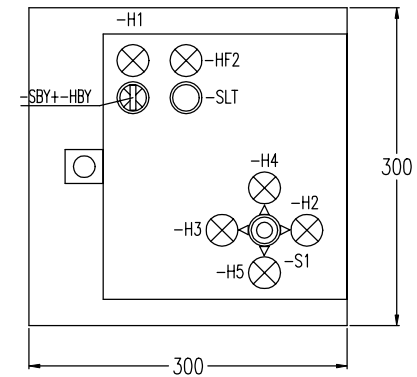


DEPTH: 210mm

SPAR1



SPAR1



DEPTH: 210mm

CACCIALANZA & C. s.p.a.  
ANTINCENDIO SICUREZZA ANTINQUINAMENTO  
SEGRATE (MILANO) - ITALY

TITLE  
MONITOR 2 MOTIONS  
TYPE A2-A4-A6-A8/EL

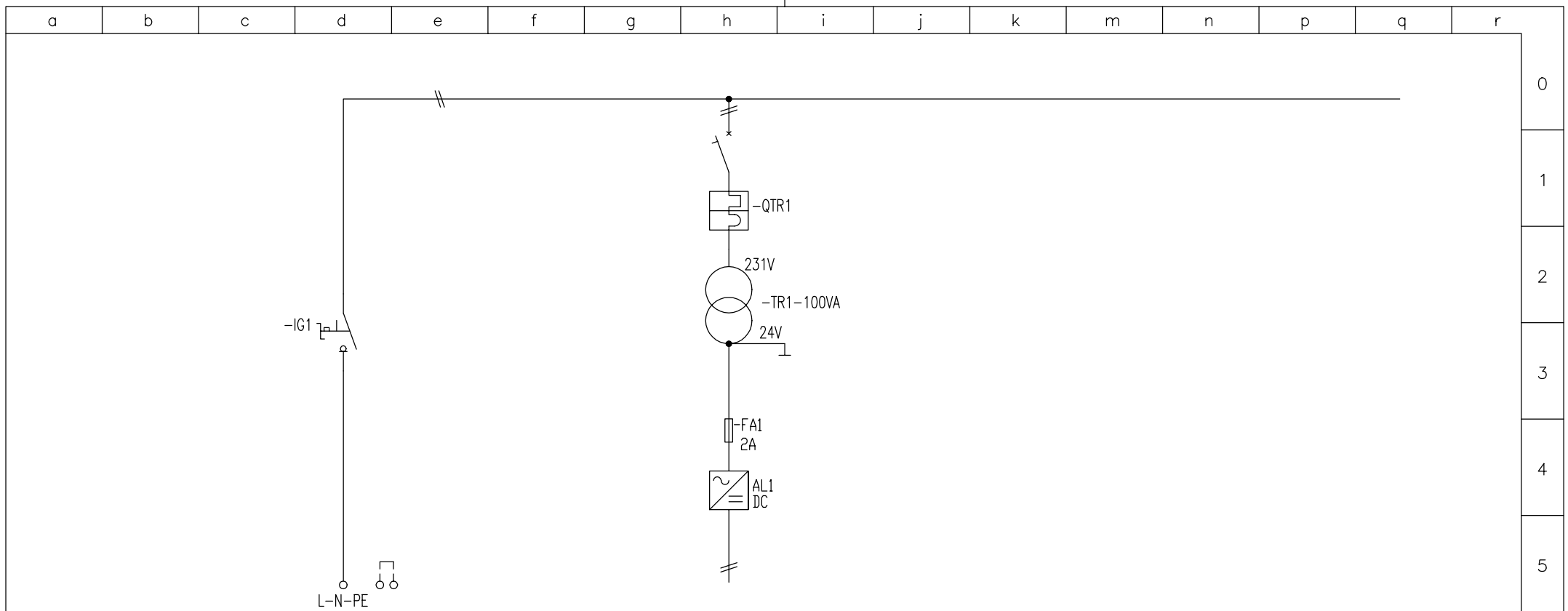
CLIENT

DATE	14.09.2001
SCALE	/
DRAWN	An.T.
CHECKED	ALT.
APPROVED	A.M.
REV.	MODIFY
DATE	14.09.01

DWG N° 46403701

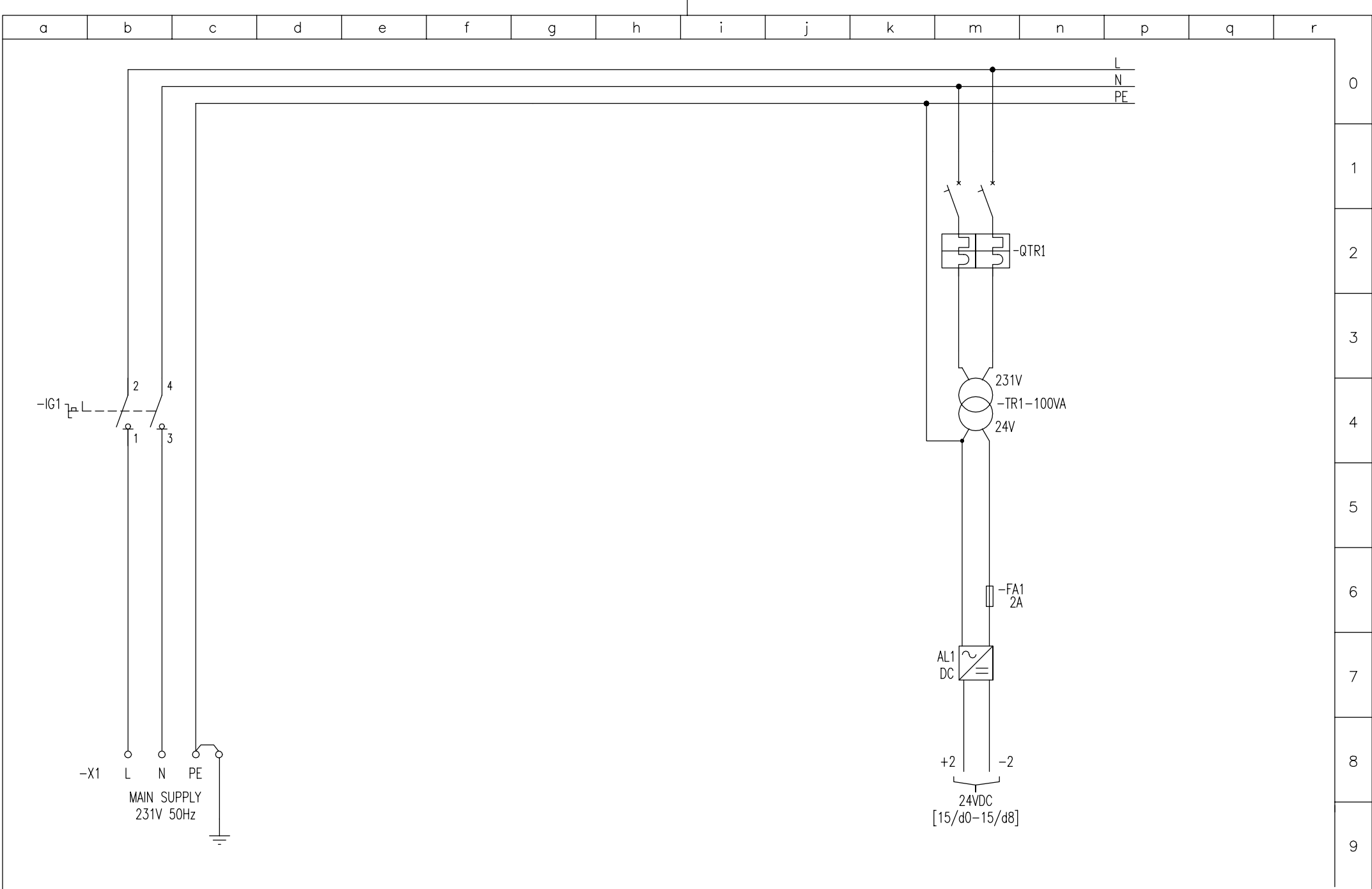
PROJECT N°

SHEET N° 12 OF 18



USE	CIRCUIT		n?		MAIN FEEDER (SREPU03)																
	DESCRIPTION		Kw	A	0,1	0,6															
ELECTRICAL EQUIPMENT	RATED SERVICE POWER AND CURRENT		Kw	A																	
			Kw	A	0,1	0,6															
	SWITCH	TYPE		P1-25/Z																	
		RATED CURRENT - N. POLES		A	n?	25	2														
		BREAKING CAPACITY		V	KA	231															
		SETTING CURRENT MAG. ELEMENT		A																	
	SETTING CURRENT THE. ELEMENT		A																		
	SETTING CURRENT Id		A																		
	CON-FACTOR	TYPE																			
		RATED CURRENT		A																	
UTILIZATION CATEGORY																					
THERMAL RELAY	TYPE																				
	SETTING RANGE		A																		
	SETTING CURRENT		A																		
FUSEHOLDER - TYPE & CURRENT		A																			
FUSES - TYPE & SETTING CURRENT		A																			
AMMETER																					
VOLMETER																					
LINE	CABLE																				
	TYPE																				
	SECTION		mmq																		
	LANCE		mt																		
RATED CURRENT(Iz)		A																			

<b>CACCIALANZA &amp; C. s.p.a</b> ANTINCENDIO SICUREZZA ANTINQUINAMENTO SEGRATE (MILANO) - ITALY	<b>TITLE</b> MONITOR 2 MOTIONS TYPE A2-A4-A6-A8/EL	<b>CLIENT</b>	DATE	14.09.2001	<b>DWG N°</b> 46403701
			SCALE	/	
0 ISSUED REV.	14.09.01 DATE	MODIFY	DRAWN	An.T.	<b>PROJECT N°</b>
			CHECKED	AL.T.	
			APPROVED	A.M.	
					SHEET N°. 13 OF 18



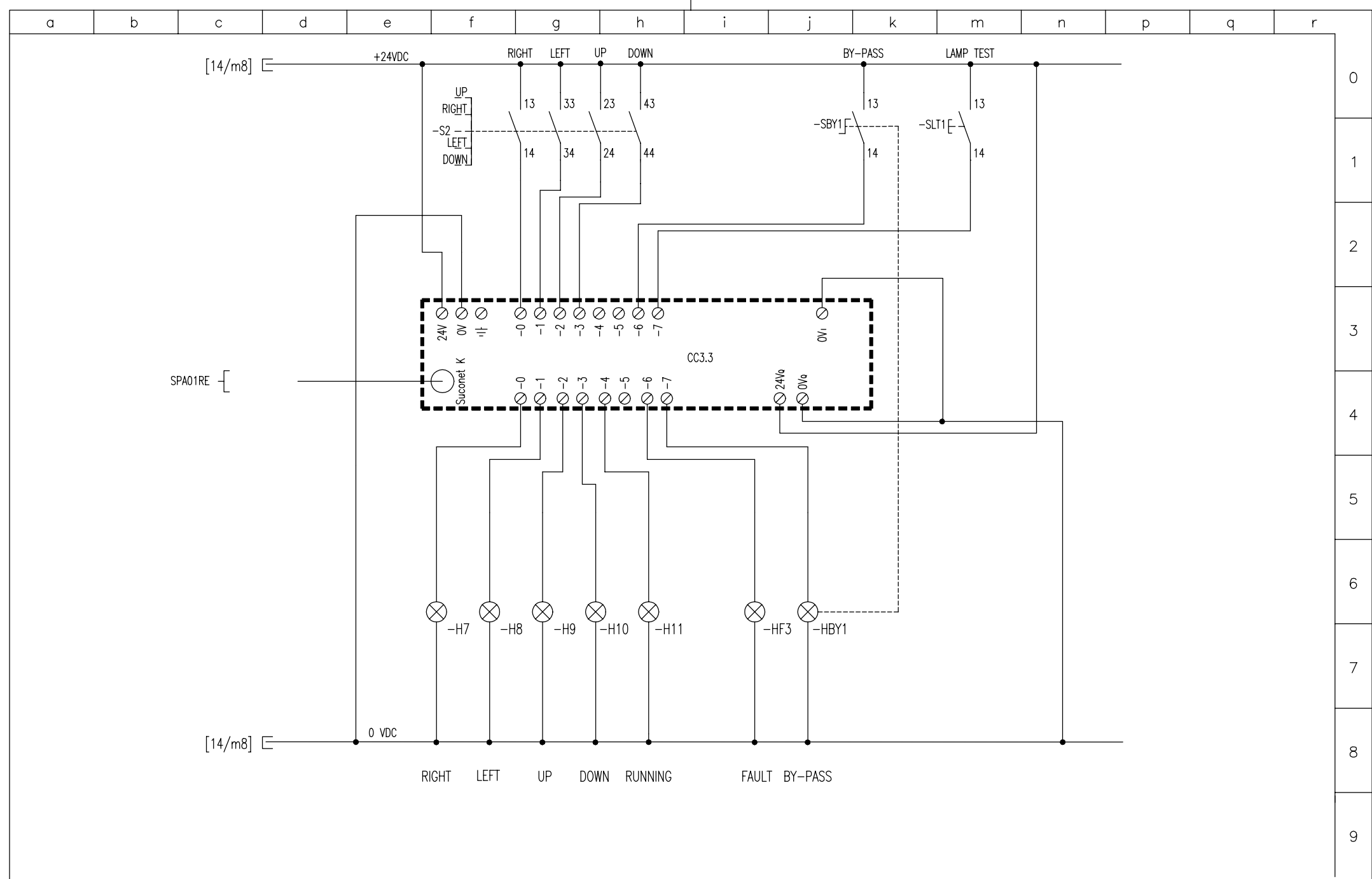
**CACCIALANZA & C. s.p.a.**  
 ANTINCENDIO SICUREZZA ANTINQUINAMENTO  
 SEGRATE (MILANO) - ITALY

TITLE  
**MONITOR 2 MOTIONS**  
 TYPE A2-A4-A6-A8/EL

CLIENT

DATE	14.09.2001
SCALE	/
DRAWN	An.T.
CHECKED	AL.T.
DATE	14.09.01
APPROVED	A.M.
REV.	MODIFY

DWG N°	46403701
PROJECT N°	
SHEET N°.	14 OF 18



CACCIALANZA & C. S.p.A.  
 ANTINCENDIO SICUREZZA ANTINQUINAMENTO  
 SEGRATE (MILANO) - ITALY

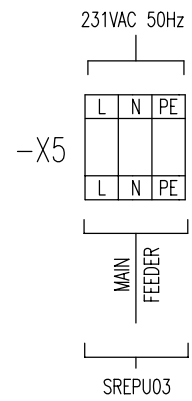
TITLE  
 MONITOR 2 MOTIONS  
 TYPE A2-A4-A6-A8/EL

CLIENT

			DATE	14.09.2001	DWG N°	46403701
			SCALE	/	PROJECT N°	
			DRAWN	An.T.		
0	ISSUED	14.09.01	CHECKED	AL.T.		
REV.	MODIFY	DATE	APPROVED	A.M.	SHEET N°	15 OF 18

a b c d e f g h i j k m n p q r

0  
1  
2  
3  
4  
5  
6  
7  
8  
9



**CACCIALANZA & C.** s.p.a.  
ANTINCENDIO SICUREZZA ANTINQUINAMENTO  
SEGRATE (MILANO) - ITALY

TITLE  
**MONITOR 2 MOTIONS**  
TYPE A2-A4-A6-A8/EL

CLIENT

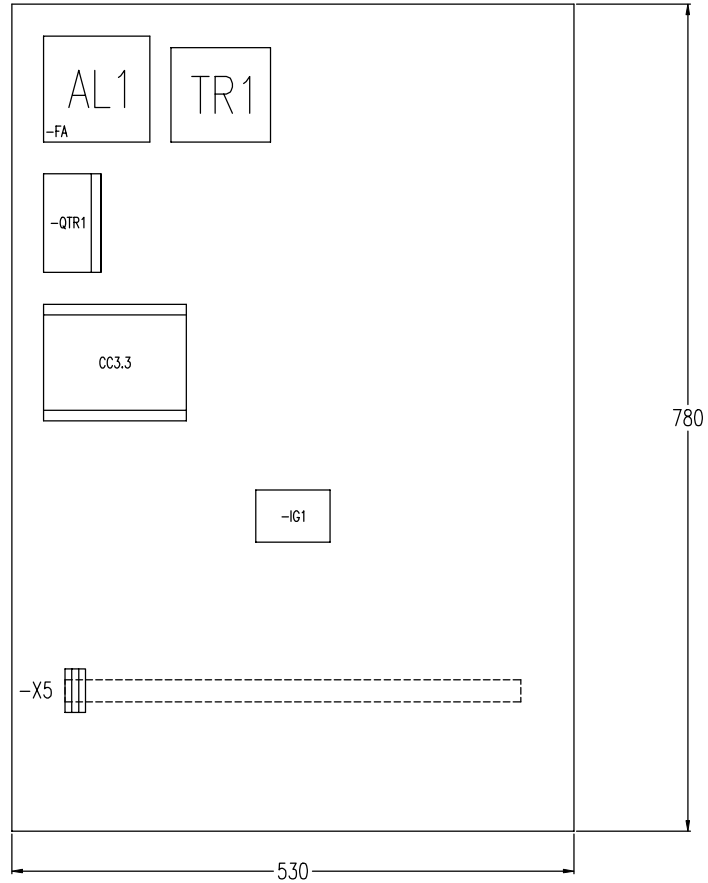
			DATE	14.09.2001	DWG N°	46403701
			SCALE	/		
			DRAWN	An.T.	PROJECT N°	
0	ISSUED	14.09.01	CHECKED	ALT.		
REV.	MODIFY	DATE	APPROVED	A.M.	SHEET N°	16 OF 18



a b c d e f g h i j k m n p q r

0  
1  
2  
3  
4  
5  
6  
7  
8  
9

SREPU03



MAIN PANEL BOARD

**CACCIALANZA & C. s.p.a**  
 ANTINCENDIO SICUREZZA ANTINQUINAMENTO  
 SEGRATE (MILANO) - ITALY

TITLE  
**MONITOR 2 MOTIONS**  
 TYPE A2-A4-A6-A8/EL

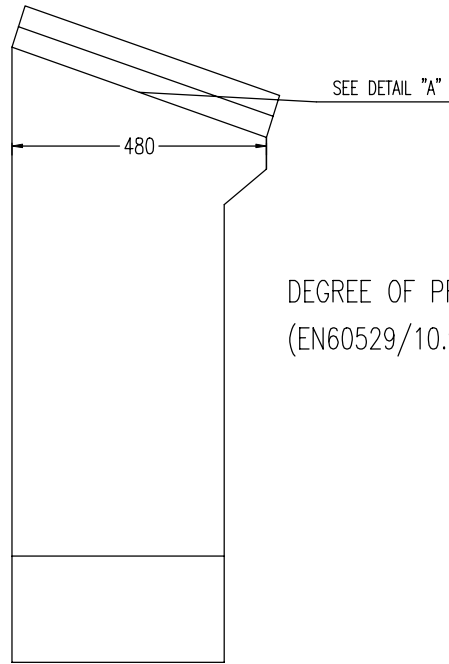
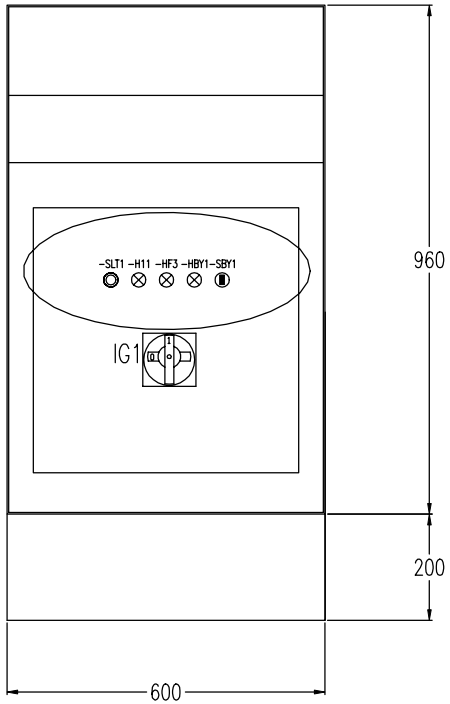
CLIENT

			DATE	14.09.2001	DWG N°	46403701
			SCALE	/		
			DRAWN	An.T.	PROJECT N°	
0	ISSUED	14.09.01	CHECKED	ALT.		
REV.	MODIFY	DATE	APPROVED	A.M.	SHEET N°	17 OF 18

a b c d e f g h i j k m n p q r

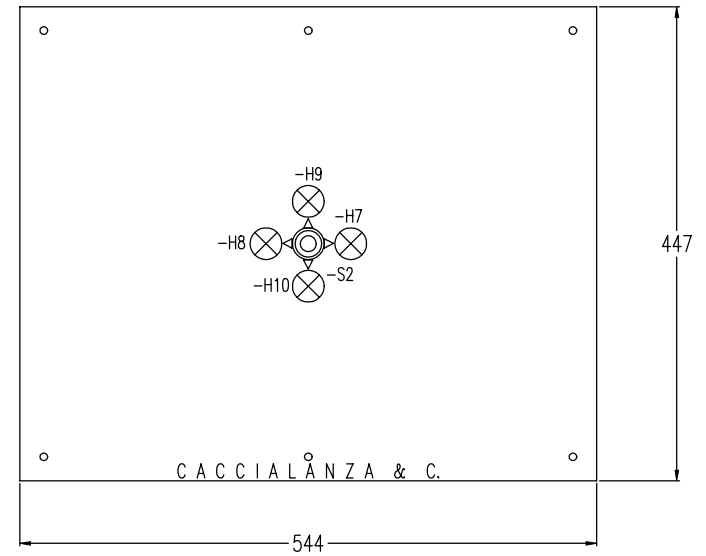
0  
1  
2  
3  
4  
5  
6  
7  
8  
9

SREPU03



DEGREE OF PROTECTION IP55  
(EN60529/10.91)

DETAIL "A"



**CACCIALANZA & C.** s.p.a.  
ANTINCENDIO SICUREZZA ANTINQUINAMENTO  
SEGRATE (MILANO) - ITALY

TITLE  
**MONITOR 2 MOTIONS**  
TYPE A2-A4-A6-A8/EL

CLIENT

			DATE	14.09.2001	DWG N°	46403701
			SCALE	/	PROJECT N°	
			DRAWN	An.T.		
0	ISSUED	14.09.01	CHECKED	AL.T.		
REV.	MODIFY	DATE	APPROVED	A.M.	SHEET N°	18 OF 18