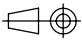


0	14.09.2001	ISSUED	An.T.	Al.T.	A.M.
Rev.	Date	Description	Drawn	Checked	Approved
<b>CACCIALANZA &amp; C.</b> <small>s.p.A.</small> ANTINCENDIO SICUREZZA ANTINUQUINAMENTO SEGRATE (MILANO) - ITALY		Client / Project			
	Date	Name	Title PANEL 1 MONITOR (2 MOV.) AND MO VALVE WITH NOZZLE/DEFLECTOR EXPANDED EXECUTION WITH REMOTE COMMAND PANEL		
Drawn	14.09.2001	An.T.			
Checked	14.09.2001	Al.T.			
Approved	14.09.2001	A.M.			
Code	Sys.	Size	Scale	Dwg nr.	Rev.
		A3	/	46403521	0
					Sheet 1 of 14

THIS DRAWING IS THE PROPERTY OF CACCIALANZA & C. S.p.A. AND IS NOT TO BE REPRODUCED OR USED TO FURNISH ANY INFORMATION FOR MAKING OF DRAWINGS OR APPARATUS EXCEPT WHERE PROVIDED FOR BY AGREEMENT WITH SAID COMPANY



a b c d e f g h i j k m n p q r

0  
1  
2  
3  
4  
5  
6  
7  
8  
9

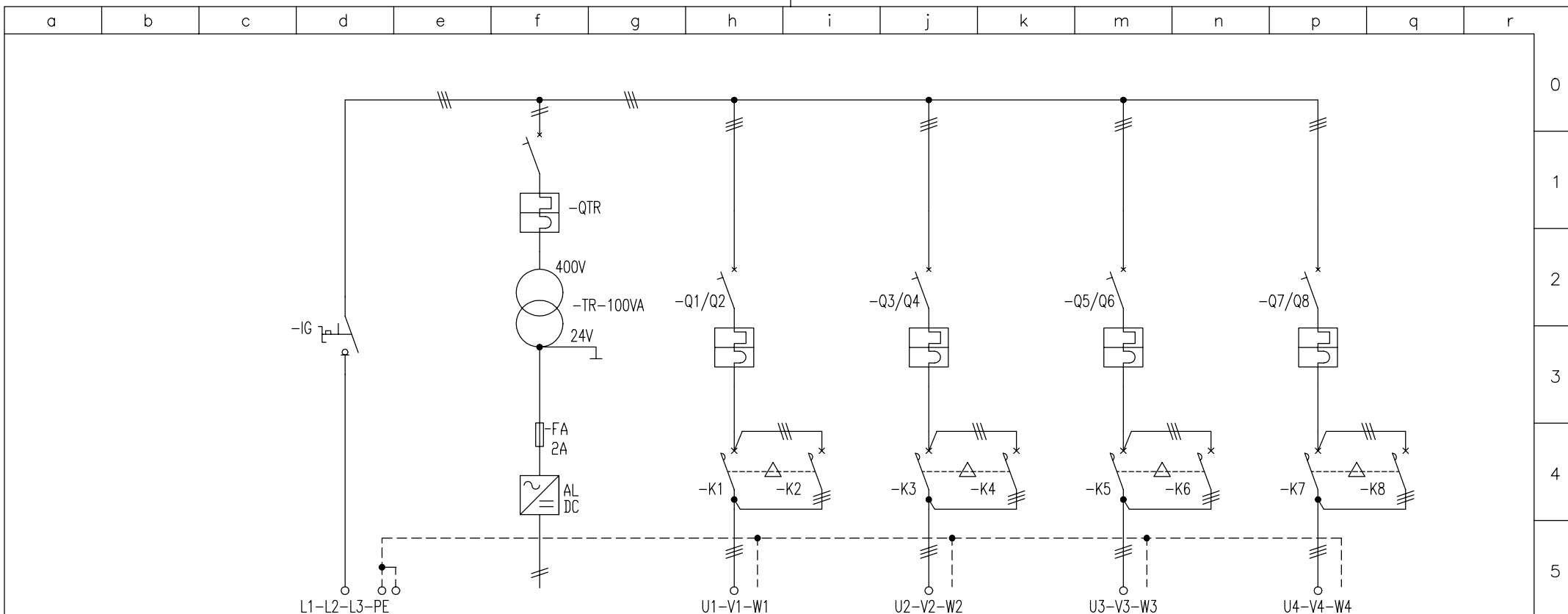
PANEL BOARD TECHNICAL DATA		
RATED SERVICE VOLTAGE:.....400V	TYPE OF SEGREGATION:.....FORM 1	TEMPERATURE:.....40°C
RATED INSULATION VOLTAGE:.....1000V	INSTALLATION:.....OUTDOOR	DEGREE OF PROTECTION:.....IP65
RATED FREQUENCY:.....50Hz	COMPLIANCE WITH STANDARD:.....CEI 17/13.1	COLOR:.....RED RAL3000
ELECTRICAL SYSTEM:.....3Ph+PE	IN/OUT CABLES:.....BOTTOM	

<b>CACCIALANZA &amp; C. s.p.a</b> ANTINCENDIO SICUREZZA ANTINQUINAMENTO SEGRATE (MILANO) - ITALY	TITLE	CLIENT	DATE	14.09.2001	DWG N°	46403521	
	MONITOR 4 MOTIONS		SCALE	/	PROJECT N°		
	TYPE A2-A4-A6-A8/EL		DRAWN	An.T.			
			0	ISSUED	14.09.01	CHECKED	ALT.
			REV.	MODIFY	DATE	APPROVED	A.M.
					SHEET N°	3 OF 14	

a b c d e f g h i j k m n p q r

0  
1  
2  
3  
4  
5  
6  
7  
8  
9

POWER CIRCUIT		AUXILIARY CIRCUIT	
MIN. SECTION 2,5mmq		MIN. SECTION 1,5mmq	
CONDUCTOR		CONDUCTOR	
PHASES	BLACK	24V - C.A.	RED
NEUTRAL	LIGHT BLUE	110V - A.C	RED
GROUND	YELLOW-GREEN	220V - A.C	BLACK
		24V - D.C	BLUE
WIRE COLOUR TABLE			



USE	CIRCUIT		n?		MAIN SUPPLY		RIGHT/LEFT MONITOR MO1.1		UP/DOWN MONITOR MO1.2		NOZZLE -N1		VALVE -VA1	
	DESCRIPTION		Kw	A	1,9	3,8	0,45	0,9	0,45	0,9	0,45	0,9	0,45	0,9
ELECTRICAL EQUIPMENT	SWITCH	TYPE	P1-25 /Z		.....		.....		.....		.....		.....	
		RATED CURRENT - N. POLES	A	n?	25	3	.....		.....		.....		.....	
		BREAKING CAPACITY	V	KA	400		.....		.....		.....		.....	
		SETTING CURRENT MAG. ELEMENT	A											
		SETTING CURRENT THE. ELEMENT	A											
	THERMAL RELAY	TYPE	DILER40//G(24VDC)		DILER40//G(24VDC)		DILER40//G(24VDC)		DILER40//G(24VDC)		DILER40//G(24VDC)		DILER40//G(24VDC)	
		RATED CURRENT	A											
		UTILIZATION CATEGORY	AC-3		AC-3		AC-3		AC-3		AC-3		AC-3	
		SETTING RANGE	A											
		SETTING CURRENT	A											
FUSEHOLDER - TYPE & CURRENT	A													
	A													
AMMETER														
LINE	CABLE	TYPE												
		SECTION	mmq		(4G2,5)		(4G2,5)		(4G2,5)		(4G2,5)			
		LANCE	mt											
		RATED CURRENT(Iz)	A											

**CACCIALANZA & C. s.p.a**  
 ANTINCENDIO SICUREZZA ANTINQUINAMENTO  
 SEGRATE (MILAND) - ITALY

TITLE  
**MONITOR 4 MOTIONS**  
 TYPE A2-A4-A6-A8/EL

CLIENT

DATE	14.09.2001
SCALE	/
DRAWN	An.T.
CHECKED	AL.T.
APPROVED	A.M.

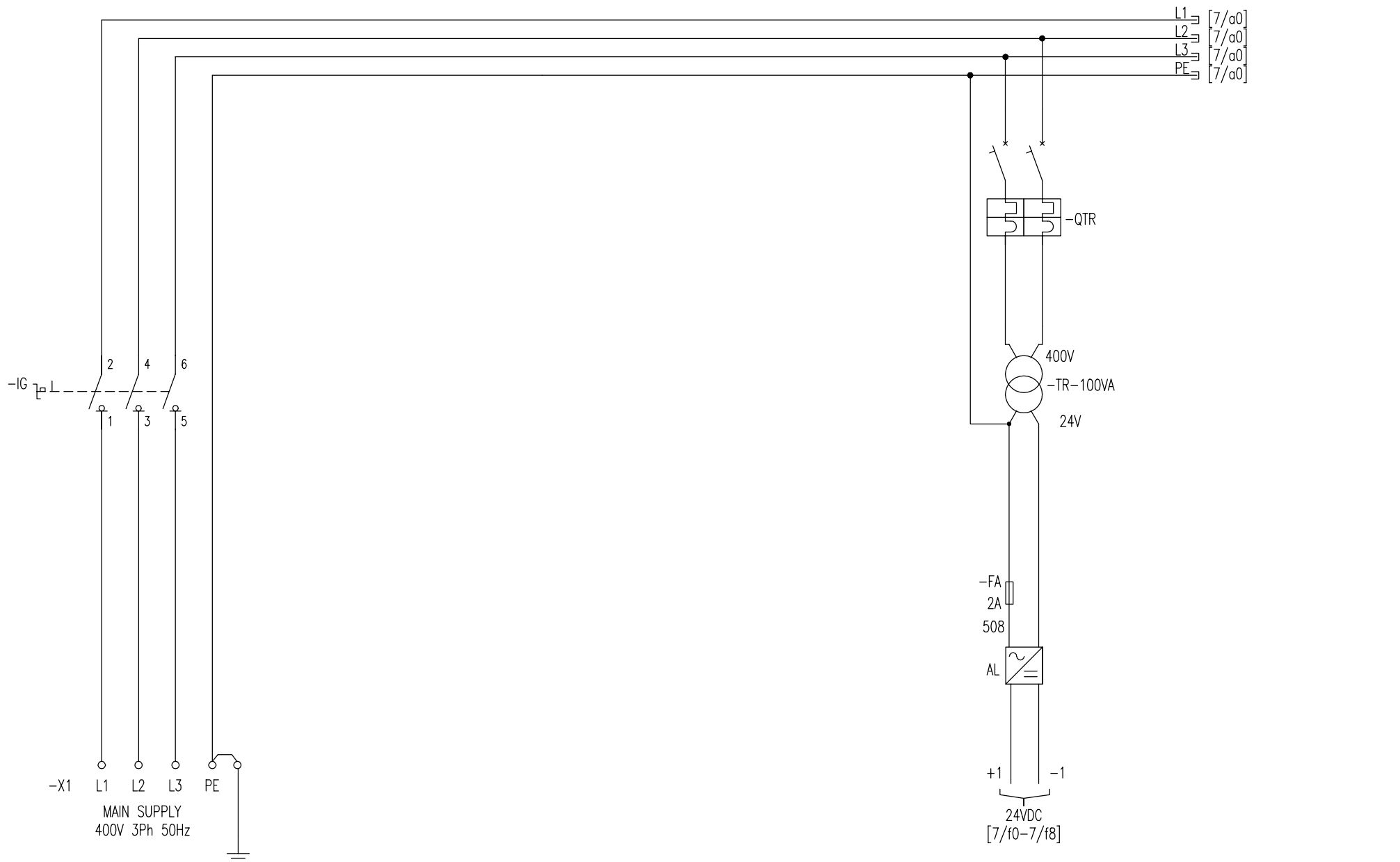
DWG N° **46403521**

PROJECT N°

SHEET N° 5 OF 14

0	ISSUED	14.09.01
REV.	MODIFY	DATE

a b c d e f g h i j k m n p q r



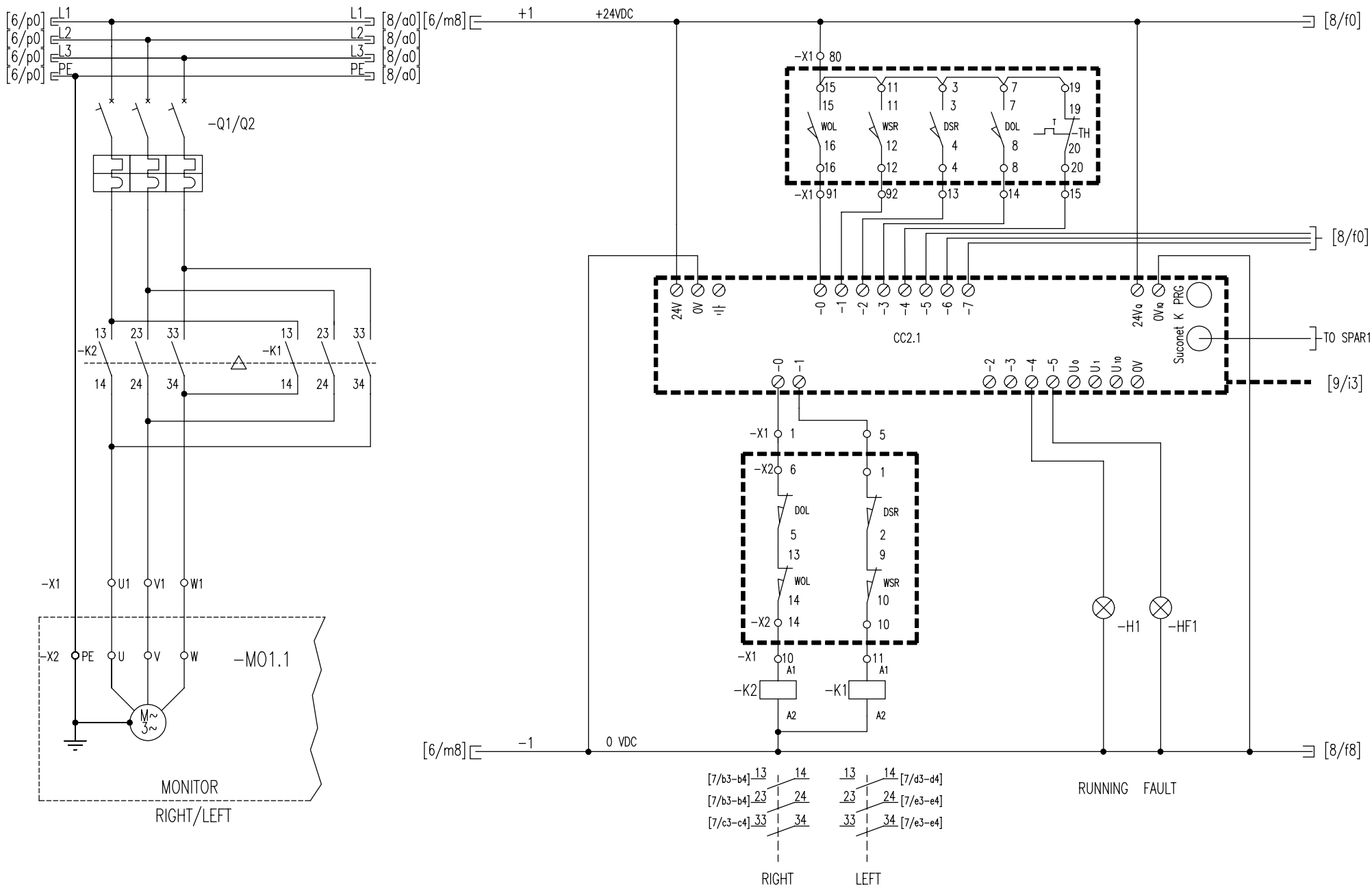
0  
1  
2  
3  
4  
5  
6  
7  
8  
9

CACCIALANZA & C. s.p.a.  
 ANTINCENDIO SICUREZZA ANTINQUINAMENTO  
 SEGRATE (MILANO) - ITALY

TITLE  
 MONITOR 4 MOTIONS  
 TYPE A2-A4-A6-A8/EL

CLIENT

		DATE	14.09.2001	DWG N°	46403521
		SCALE	/	PROJECT N°	
		DRAWN	An.T.		
0	ISSUED	14.09.01	CHECKED	AL.T.	
REV.	MODIFY	DATE	APPROVED	A.M.	SHEET N° 6 OF 14



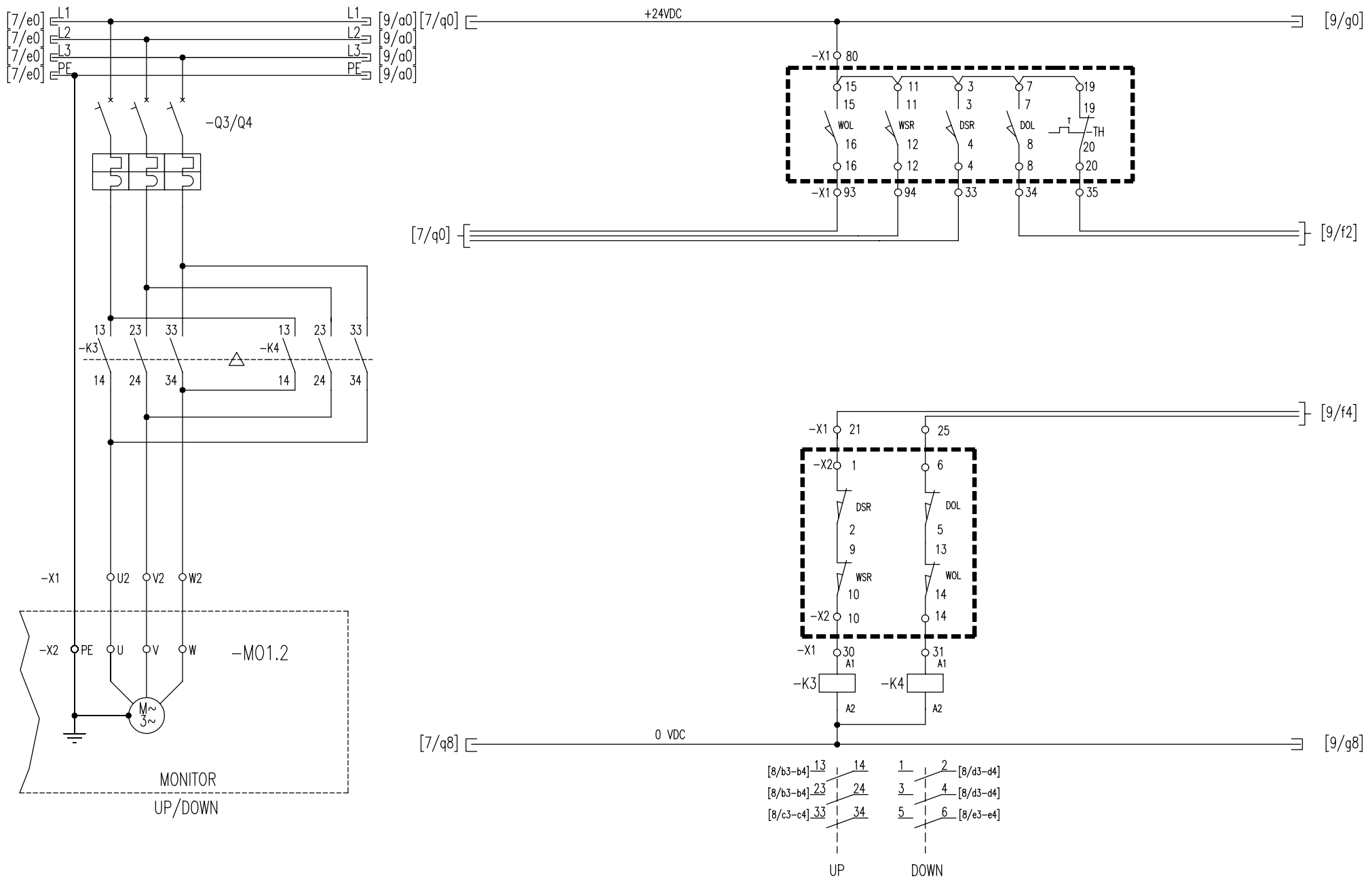
CACCIALANZA & C. s.p.a.  
 ANTINCENDIO SICUREZZA ANTINQUINAMENTO  
 SEGRATE (MILAND) - ITALY

TITLE  
 MONITOR 4 MOTIONS  
 TYPE A2-A4-A6-A8/EL

CLIENT

DATE	14.09.2001
SCALE	/
DRAWN	An.T.
CHECKED	AL.T.
APPROVED	A.M.
REV.	MODIFY
DATE	14.09.01

DWG N° 46403521  
 PROJECT N°  
 SHEET N. 7 OF 14



CACCIALANZA & C. s.p.a.  
ANTINCENDIO SICUREZZA ANTINQUINAMENTO  
SEGRATE (MILANO) - ITALY

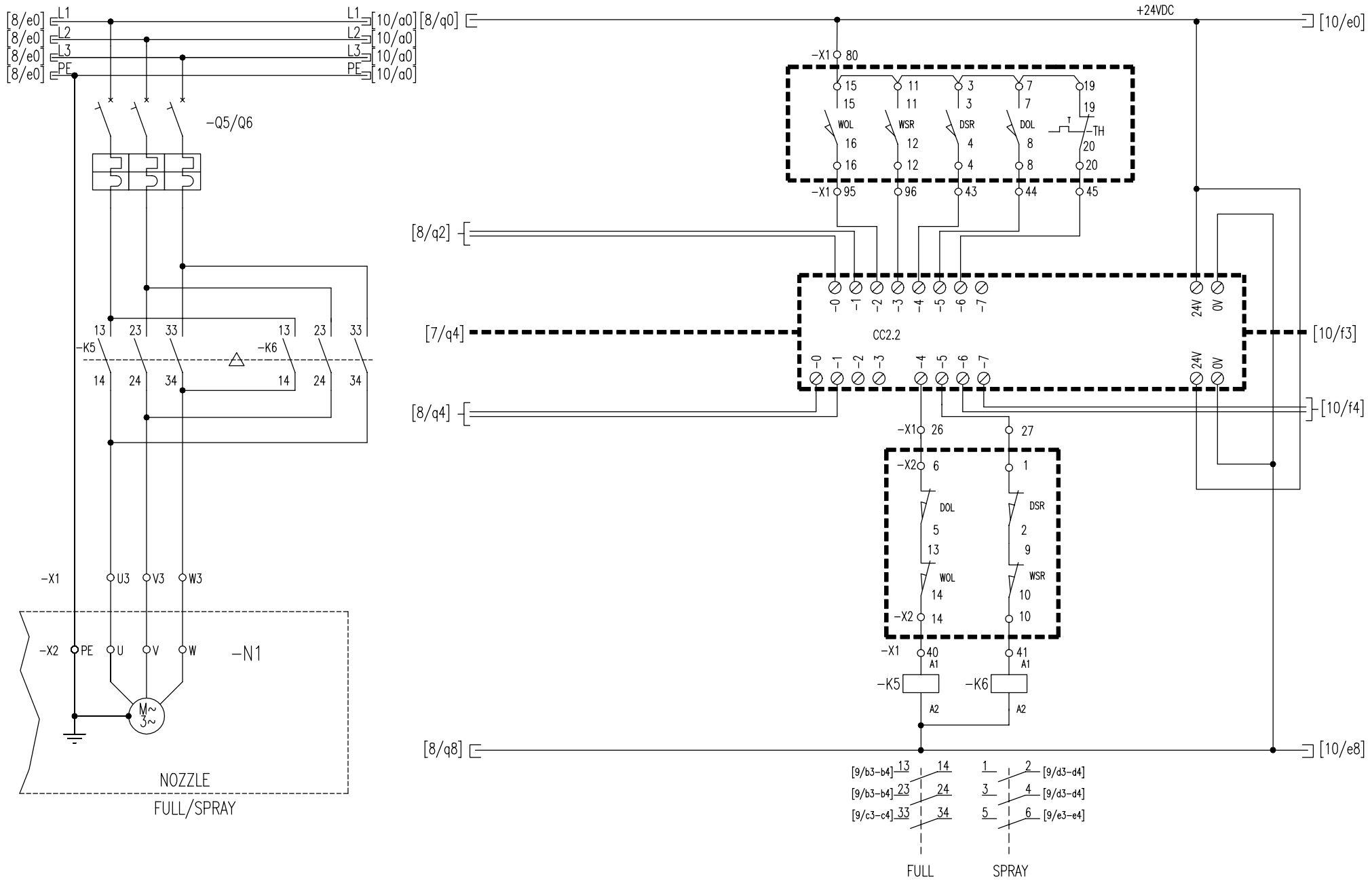
TITLE  
MONITOR 4 MOTIONS  
TYPE A2-A4-A6-A8/EL

CLIENT

DATE	14.09.2001
SCALE	/
DRAWN	An.T.
CHECKED	AL.T.
APPROVED	A.M.
REV.	MODIFY
0	ISSUED
14.09.01	DATE

DWG N° 46403521  
PROJECT N°  
SHEET N. 8 OF 14





**CACCIALANZA & C. s.p.a.**  
 ANTINCENDIO SICUREZZA ANTINQUINAMENTO  
 SEGRATE (MILANO) - ITALY

TITLE  
**MONITOR 4 MOTIONS**  
 TYPE A2-A4-A6-A8/EL

CLIENT

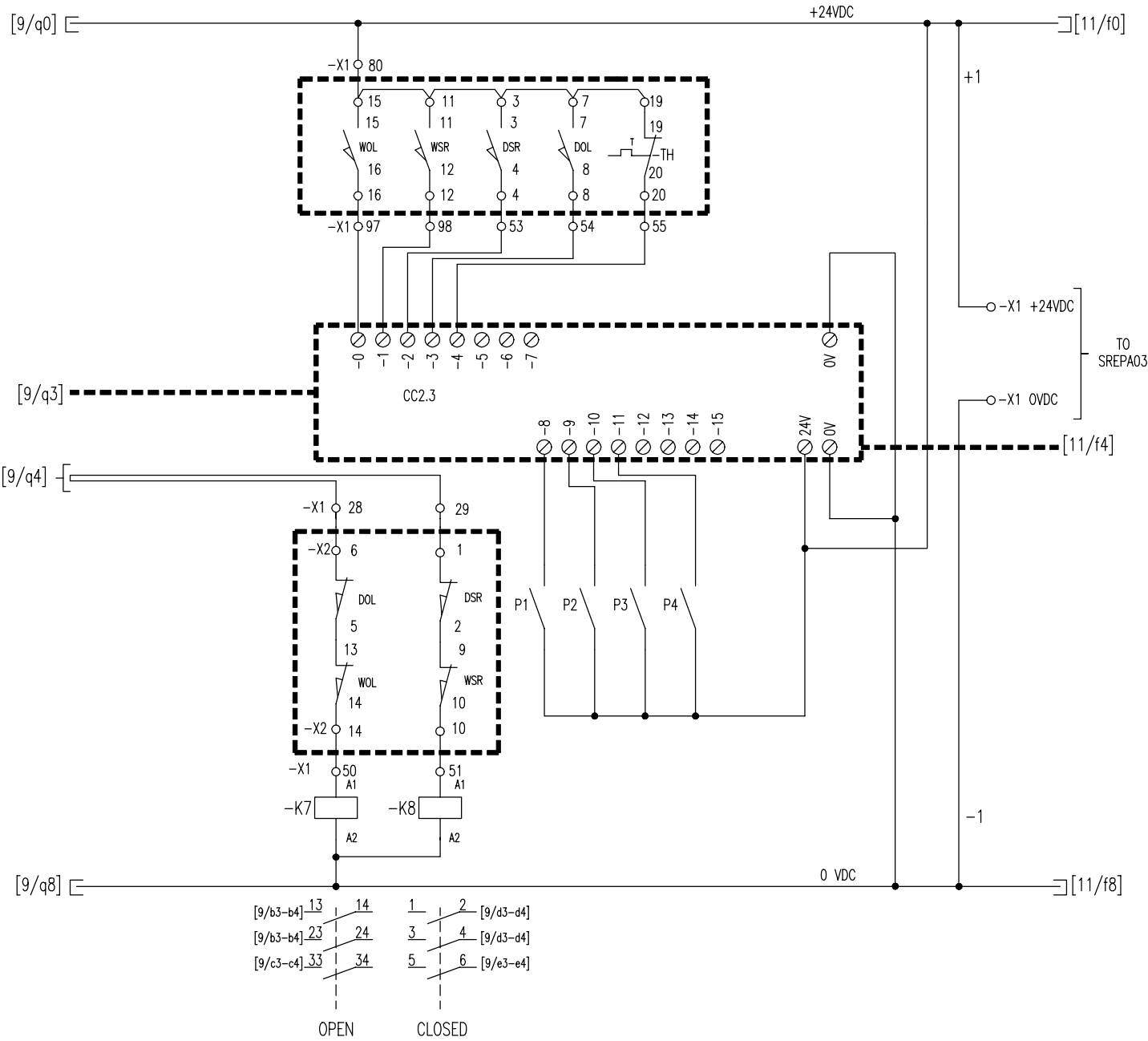
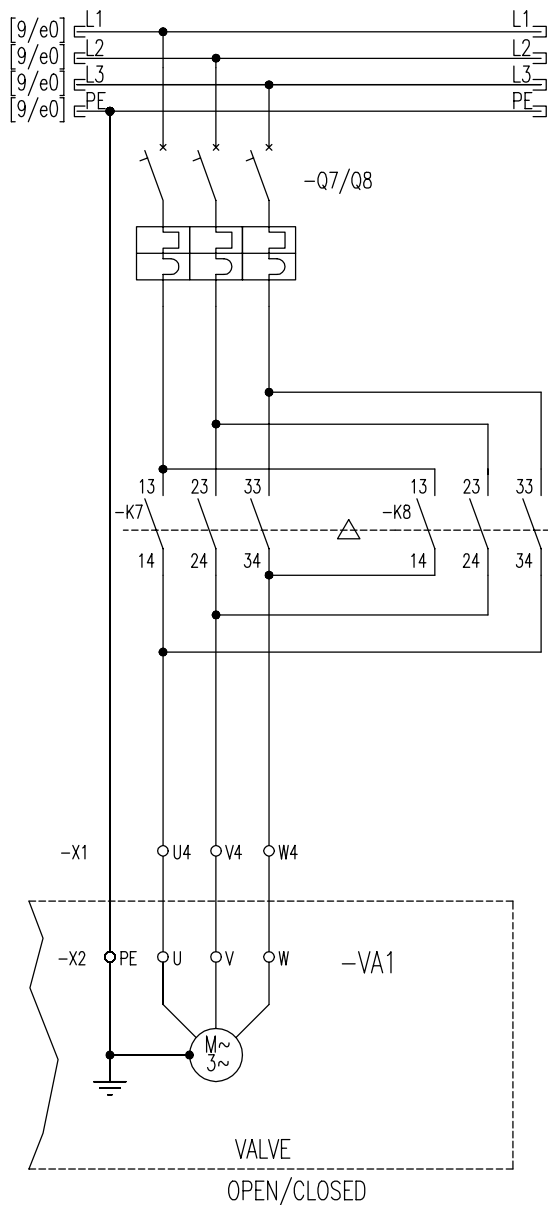
DATE	14.09.2001
SCALE	/
DRAWN	An.T.
CHECKED	AL.T.
APPROVED	A.M.

DWG N° **46403521**

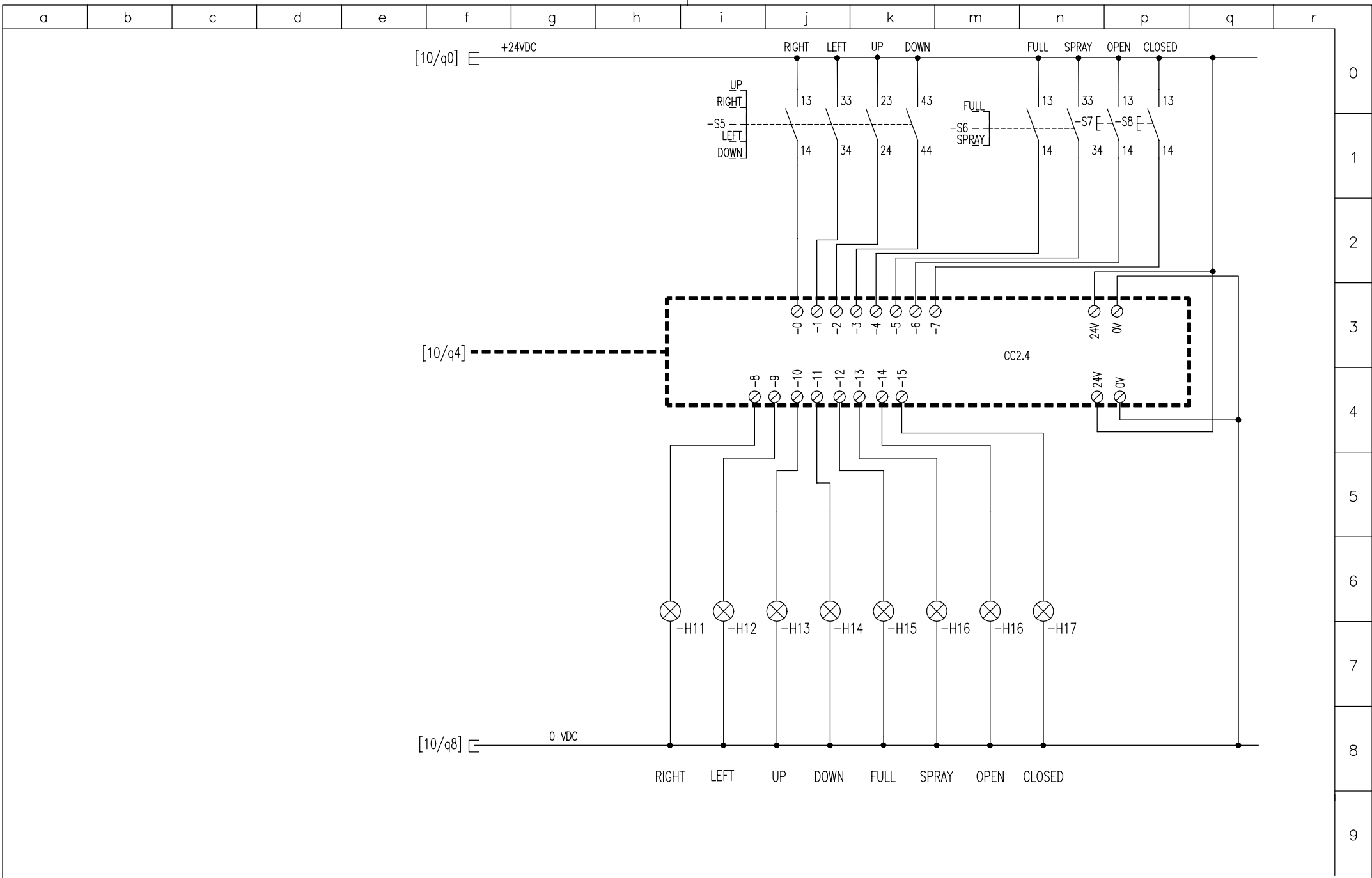
PROJECT N°

SHEET N. 9 OF 14

0	ISSUED	14.09.01
REV.	MODIFY	DATE



0  
1  
2  
3  
4  
5  
6  
7  
8  
9



CACCIALANZA & C. s.p.a.  
 ANTINCENDIO SICUREZZA ANTINQUINAMENTO  
 SEGRATE (MILANO) - ITALY

TITLE  
 MONITOR 4 MOTIONS  
 TYPE A2-A4-A6-A8/EL

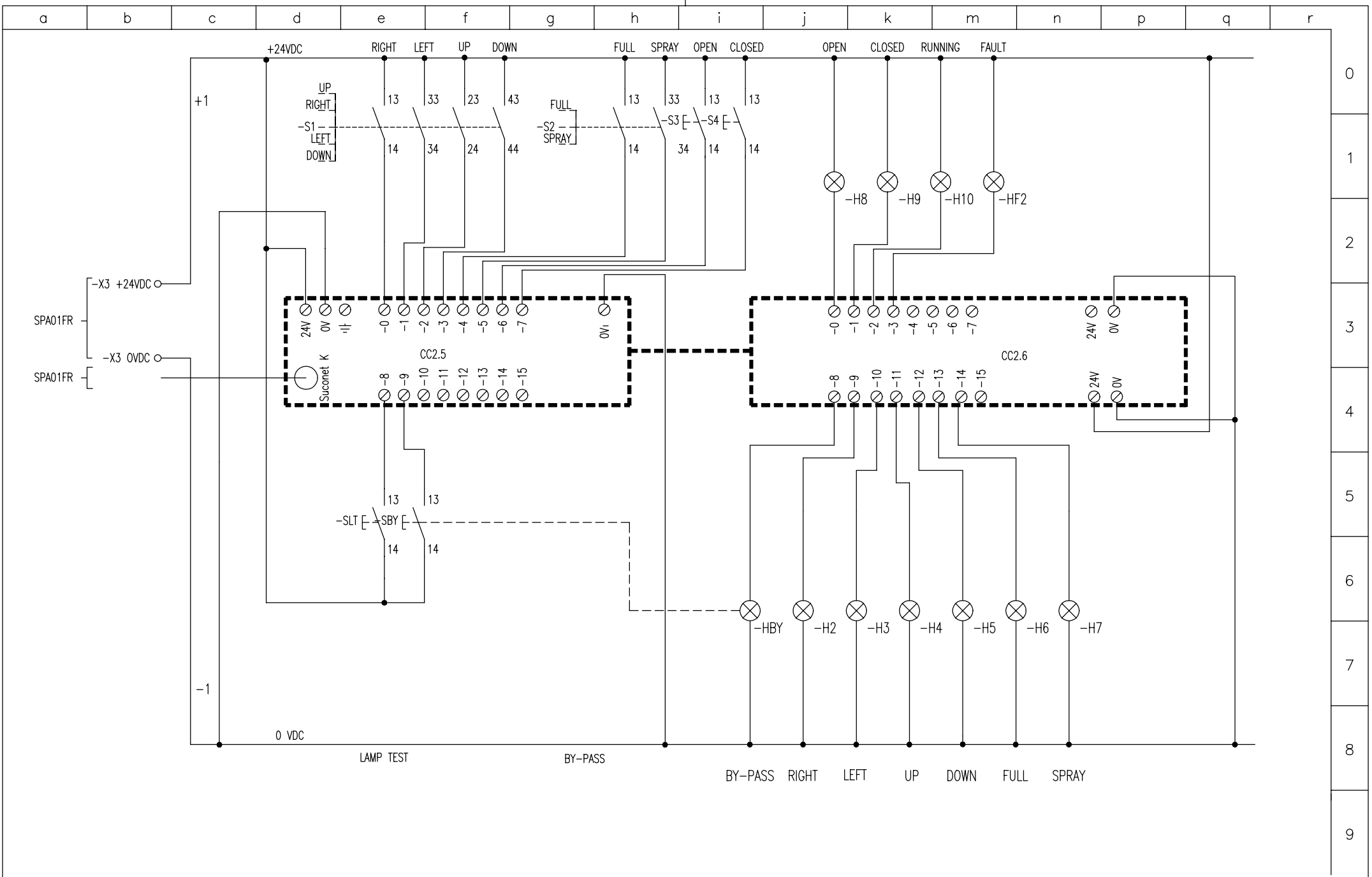
CLIENT

DATE	14.09.2001
SCALE	/
DRAWN	An.T.
CHECKED	ALT.
APPROVED	A.M.
DATE	14.09.01
REV.	ISSUED
REV.	MODIFY

DWG N° 46403521

PROJECT N°

SHEET N. 11 OF 14



CACCIALANZA & C. s.p.a.  
 ANTINCENDIO SICUREZZA ANTINQUINAMENTO  
 SEGRATE (MILANO) - ITALY

TITLE  
 MONITOR 4 MOTIONS  
 TYPE A2-A4-A6-A8/EL

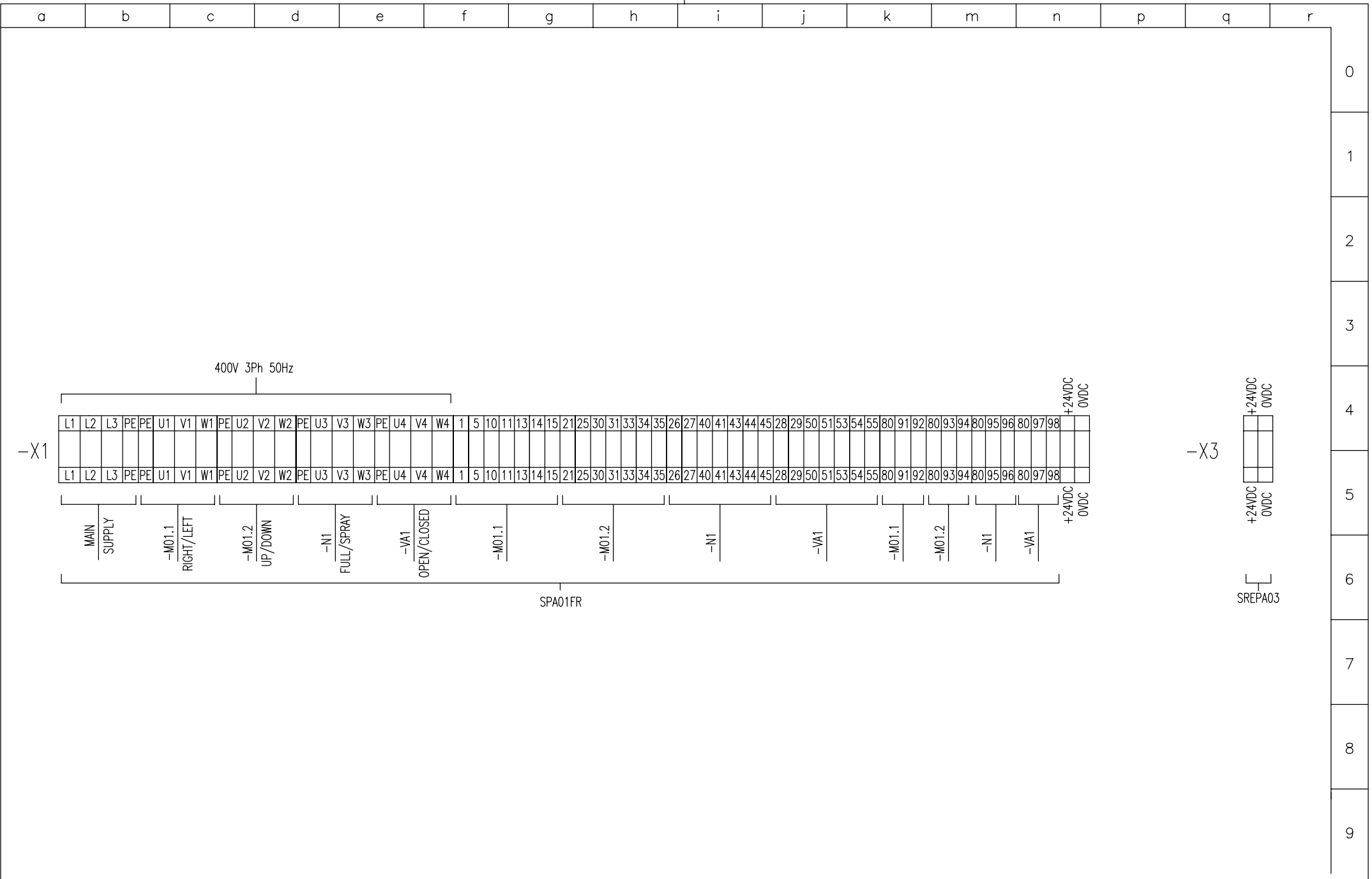
CLIENT

DATE	14.09.2001
SCALE	/
DRAWN	An.T.
CHECKED	ALT.
APPROVED	A.M.
REV.	MODIFY
DATE	14.09.01

DWG N° 46403521

PROJECT N°

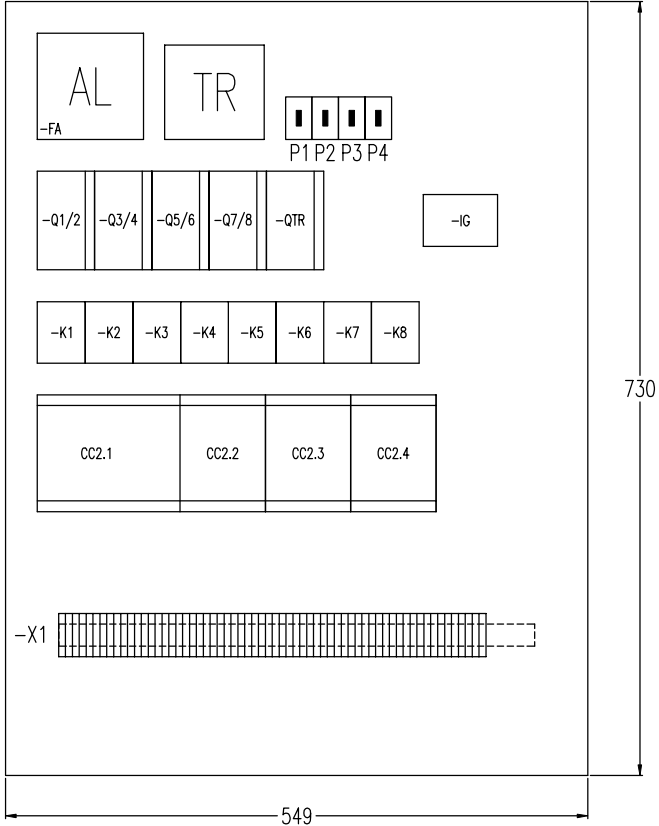
SHEET N. 12 OF 14



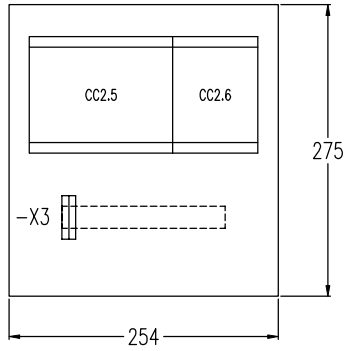
<b>CACCIALANZA &amp; C. s.p.a.</b> ANTINCENDIO SICUREZZA ANTINQUINAMENTO SEGRATE (MILANO) - ITALY	TITLE	CLIENT	DATE	14.09.2001	DWG N°	46403521
	MONITOR 4 MOTIONS		SCALE	/	PROJECT N°	
	TYPE A2-A4-A6-A8/EL		DRAWN	An.T.		
			CHECKED	ALT.		
			REV.	MODIFY	DATE	APPROVED
					SHEET N°.	13 OF 14

a b c d e f g h i j k m n p q r

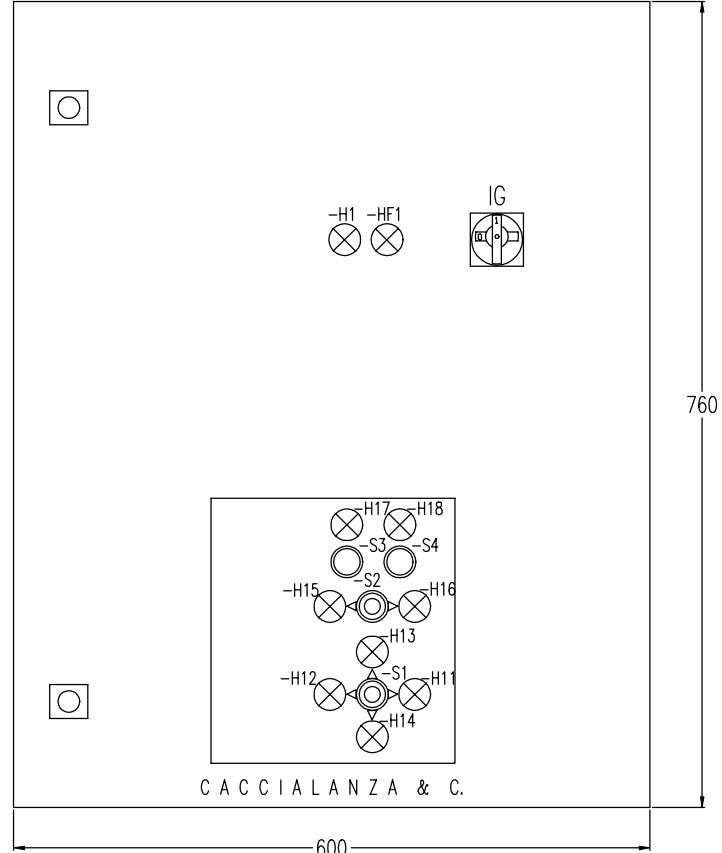
SPA01FR



SREPA03

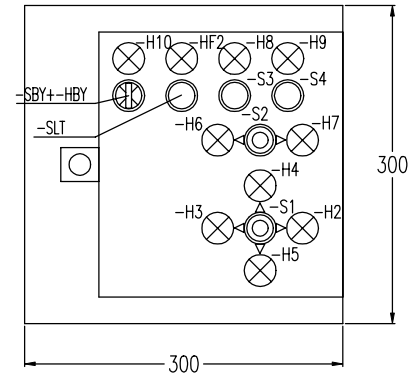


SPA01FR



CACCIALANZA & C.

SREPA03



DEPTH: 210mm

CACCIALANZA & C. s.p.a.  
ANTINCENDIO SICUREZZA ANTINQUINAMENTO  
SEGRATE (MILANO) - ITALY

TITLE  
MONITOR 4 MOTIONS  
TYPE A2-A4-A6-A8/EL

CLIENT

DATE	14.09.2001
SCALE	/
DRAWN	An.T.
CHECKED	AL.T.
APPROVED	A.M.
REV.	MODIFY
0	ISSUED
14.09.01	DATE

DWG N° 46403521

PROJECT N°

SHEET N° 14 OF 14