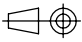


0	14.09.2001	ISSUED					An.T.	Al.T.	A.M.
Rev.	Date	Description					Drawn	Checked	Approved
CACCIALANZA & C. <small>s.p.A.</small> ANTINCENDIO SICUREZZA ANTINQUINAMENTO SEGRATE (MILANO) - ITALY		Client / Project							
		Title							
	Date	Name	PANEL 1 MONITOR (2 MOV.) AND MO VALVE EXPANDED EXECUTION WITH REMOTE COMMAND PANEL						
Drawn	14.09.2001	An.T.							
Checked	14.09.2001	Al.T.							
Approved	14.09.2001	A.M.							
Code		Sys.	Size	Scale	Dwg nr.	Rev.	Sheet	1	
			A3	/	46403511	0	of	13	
THIS DRAWING IS THE PROPERTY OF CACCIALANZA & C. S.p.A. AND IS NOT TO BE REPRODUCED OR USED TO FURNISH ANY INFORMATION FOR MAKING OF DRAWINGS OR APPARATUS EXCEPT WHERE PROVIDED FOR BY AGREEMENT WITH SAID COMPANY									

a b c d e f g h i j k m n p q r

0
1
2
3
4
5
6
7
8
9

PANEL BOARD TECHNICAL DATA

RATED SERVICE VOLTAGE:.....400V	TYPE OF SEGREGATION:.....FORM 1	TEMPERATURE:.....40°C
RATED INSULATION VOLTAGE:.....1000V	INSTALLATION:.....OUTDOOR	DEGREE OF PROTECTION:.....IP65
RATED FREQUENCY:.....50Hz	COMPLIANCE WITH STANDARD:.....CEI 17/13.1	COLOR:.....RED RAL3000
ELECTRICAL SYSTEM:.....3Ph+PE	IN/OUT CABLES:.....BOTTOM	

CACCIALANZA & C. s.p.a
 ANTINCENDIO SICUREZZA ANTINQUINAMENTO
 SEGRATE (MILANO) - ITALY

TITLE
MONITOR 3 MOTIONS
TYPE A2-A4-A6-A8/EL

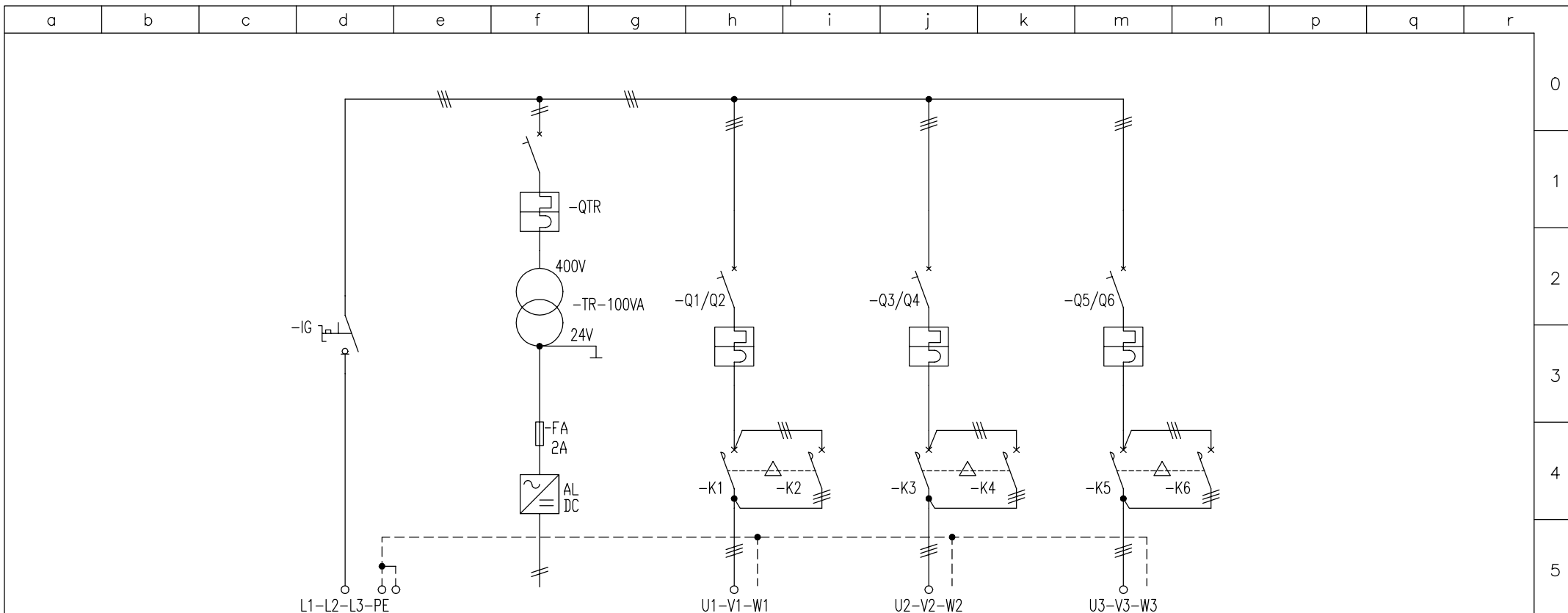
CLIENT

			DATE	14.09.2001	DWG N°	46403511
			SCALE	/		
			DRAWN	An.T.	PROJECT N°	
0	ISSUED	14.09.01	CHECKED	ALT.		
REV.	MODIFY	DATE	APPROVED	A.M.	SHEET N°	3 OF 13

a	b	c	d	e	f	g	h	i	j	k	m	n	p	q	r
															0
															1
															2
															3
															4
															5
															6
															7
															8
															9

POWER CIRCUIT		AUXILIARY CIRCUIT	
MIN. SECTION 2,5mmq		MIN. SECTION 1,5mmq	
CONDUCTOR		CONDUCTOR	
PHASES	BLACK	24V - C.A.	RED
NEUTRAL	LIGHT BLUE	110V - A.C	RED
GROUND	YELLOW-GREEN	220V - A.C	BLACK
		24V - D.C	BLUE
WIRE COLOUR TABLE			

CACCIALANZA & C. s.p.a ANTINCENDIO SICUREZZA ANTINQUINAMENTO SEGRATE (MILANO) - ITALY	TITLE	CLIENT	DATE	14.09.2001	DWG N°	46403511
	MONITOR 3 MOTIONS		SCALE	/	PROJECT N°	
	TYPE A2-A4-A6-A8/EL		DRAWN	An.T.		
			0 ISSUED	14.09.01	CHECKED	AL.T.
		REV.	MODIFY	DATE	APPROVED	A.M.
					SHEET N°	4 OF 13



USE	CIRCUIT		n?		MAIN SUPPLY		RIGHT/LEFT MONITOR MO1.1		UP/DOWN MONITOR MO1.2		VALVE -VA1	
	DESCRIPTION		Kw	A	1,45	2,9	0,45	0,9	0,45	0,9	0,45	0,9
ELECTRICAL EQUIPMENT	SWITCH	TYPE	P1-25 /Z				
		RATED CURRENT - N. POLES	A	n?	25	3						
		BREAKING CAPACITY	V	KA	400							
		SETTING CURRENT MAG. ELEMENT	A									
		SETTING CURRENT THE. ELEMENT	A									
	CON-FACTOR	TYPE	DILER40//G(24VDC)				DILER40//G(24VDC)		DILER40//G(24VDC)		DILER40//G(24VDC)	
		RATED CURRENT	A									
		UTILIZATION CATEGORY	AC-3				AC-3		AC-3		AC-3	
	THERMAL RELAY	TYPE										
		SETTING RANGE	A									
FUSEHOLDER - TYPE & CURRENT	A											
	FUSES - TYPE & SETTING CURRENT		A									
LINE	AMMETER											
	VOLTMETER											
CABLE	TYPE											
	SECTION	mmq				(4G2,5)		(4G2,5)		(4G2,5)		
	LANCE	mt										
	RATED CURRENT(Iz)	A										

CACCIALANZA & C. s.p.a
 ANTINCENDIO SICUREZZA ANTINQUINAMENTO
 SEGRATE (MILAND) - ITALY

TITLE
MONITOR 3 MOTIONS
 TYPE A2-A4-A6-A8/EL

CLIENT

DATE	14.09.2001
SCALE	/
DRAWN	An.T.
CHECKED	AL.T.
APPROVED	A.M.

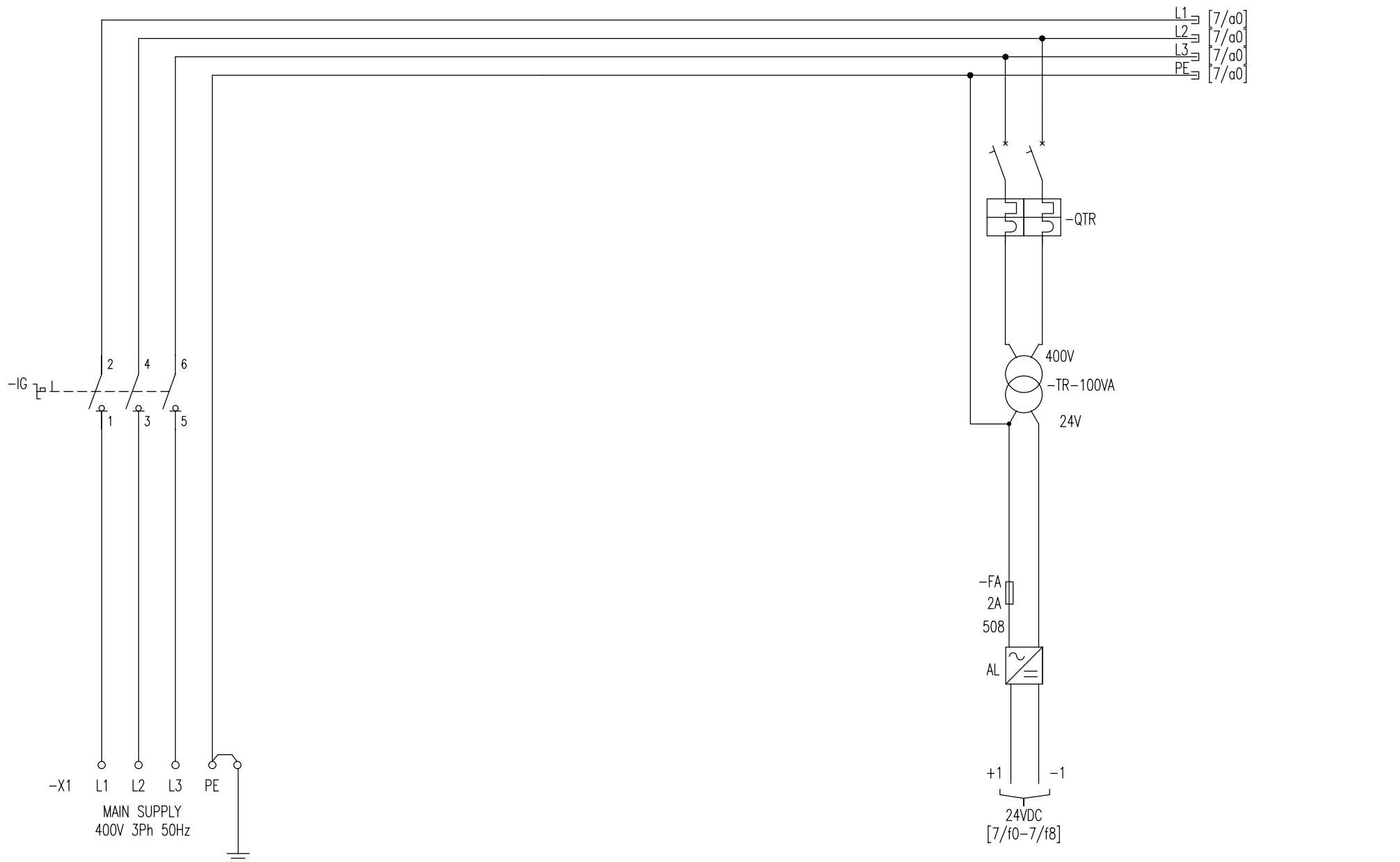
DWG N° **46403511**

PROJECT N°

SHEET N. 5 OF 13

0
1
2
3
4
5
6
7
8
9

a b c d e f g h i j k m n p q r



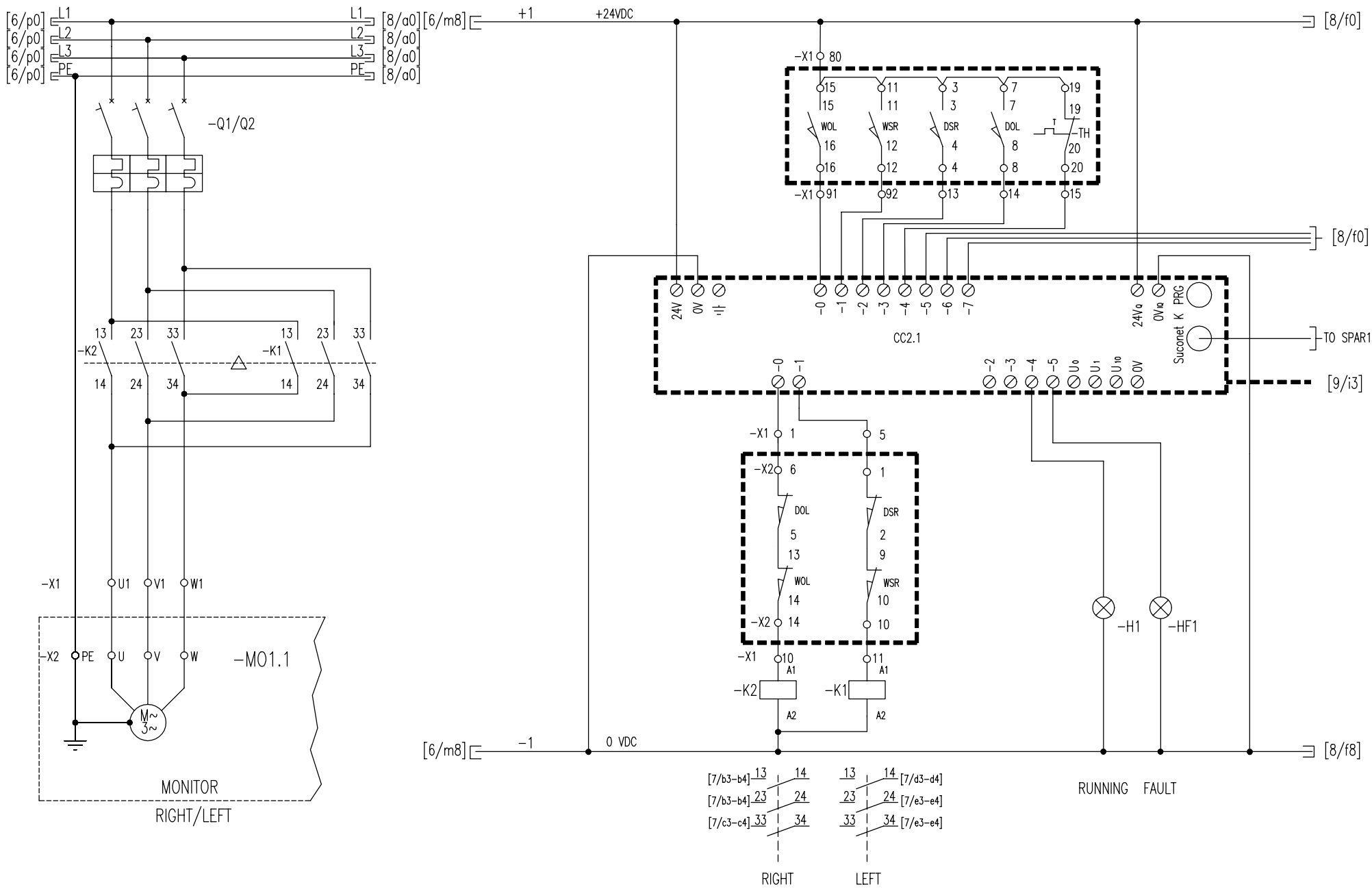
0
1
2
3
4
5
6
7
8
9

CACCIALANZA & C. s.p.a.
 ANTINCENDIO SICUREZZA ANTINQUINAMENTO
 SEGRATE (MILANO) - ITALY

TITLE
 MONITOR 3 MOTIONS
 TYPE A2-A4-A6-A8/EL

CLIENT

		DATE	14.09.2001	DWG N°	46403511
		SCALE	/	PROJECT N°	
		DRAWN	An.T.		
0	ISSUED	14.09.01	CHECKED	AL.T.	
REV.	MODIFY	DATE	APPROVED	A.M.	SHEET N° 6 OF 13



CACCIALANZA & C. s.p.a.
 ANTINCENDIO SICUREZZA ANTINQUINAMENTO
 SEGRATE (MILAND) - ITALY

TITLE
MONITOR 3 MOTIONS
 TYPE A2-A4-A6-A8/EL

CLIENT

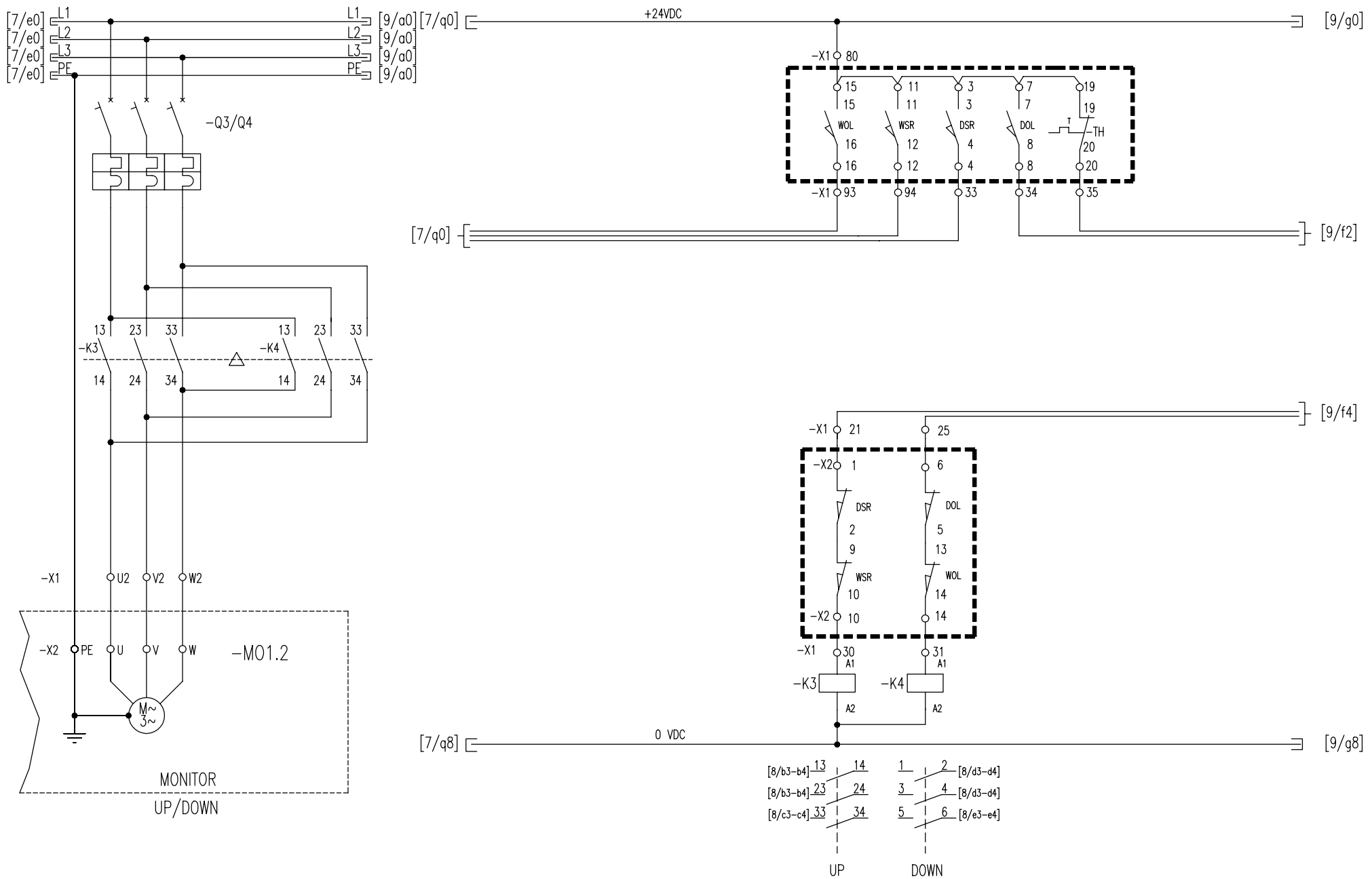
DATE	14.09.2001
SCALE	/
DRAWN	An.T.
CHECKED	AL.T.
APPROVED	A.M.

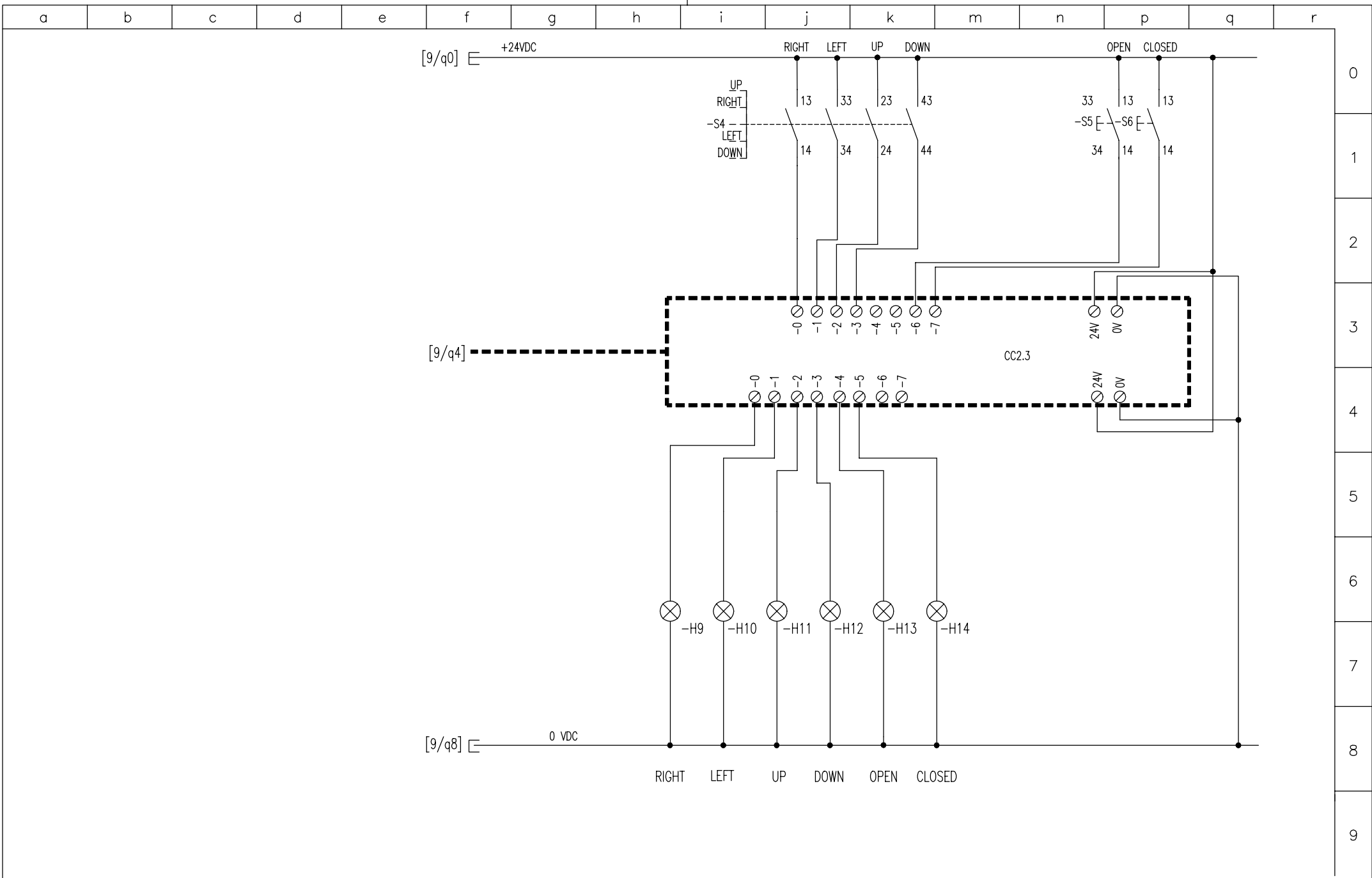
DWG N° 46403511

PROJECT N°

SHEET N. 7 OF 13

0
1
2
3
4
5
6
7
8
9





CACCIALANZA & C. s.p.a.
 ANTINCENDIO SICUREZZA ANTINQUINAMENTO
 SEGRATE (MILANO) - ITALY

TITLE
 MONITOR 3 MOTIONS
 TYPE A2-A4-A6-A8/EL

CLIENT

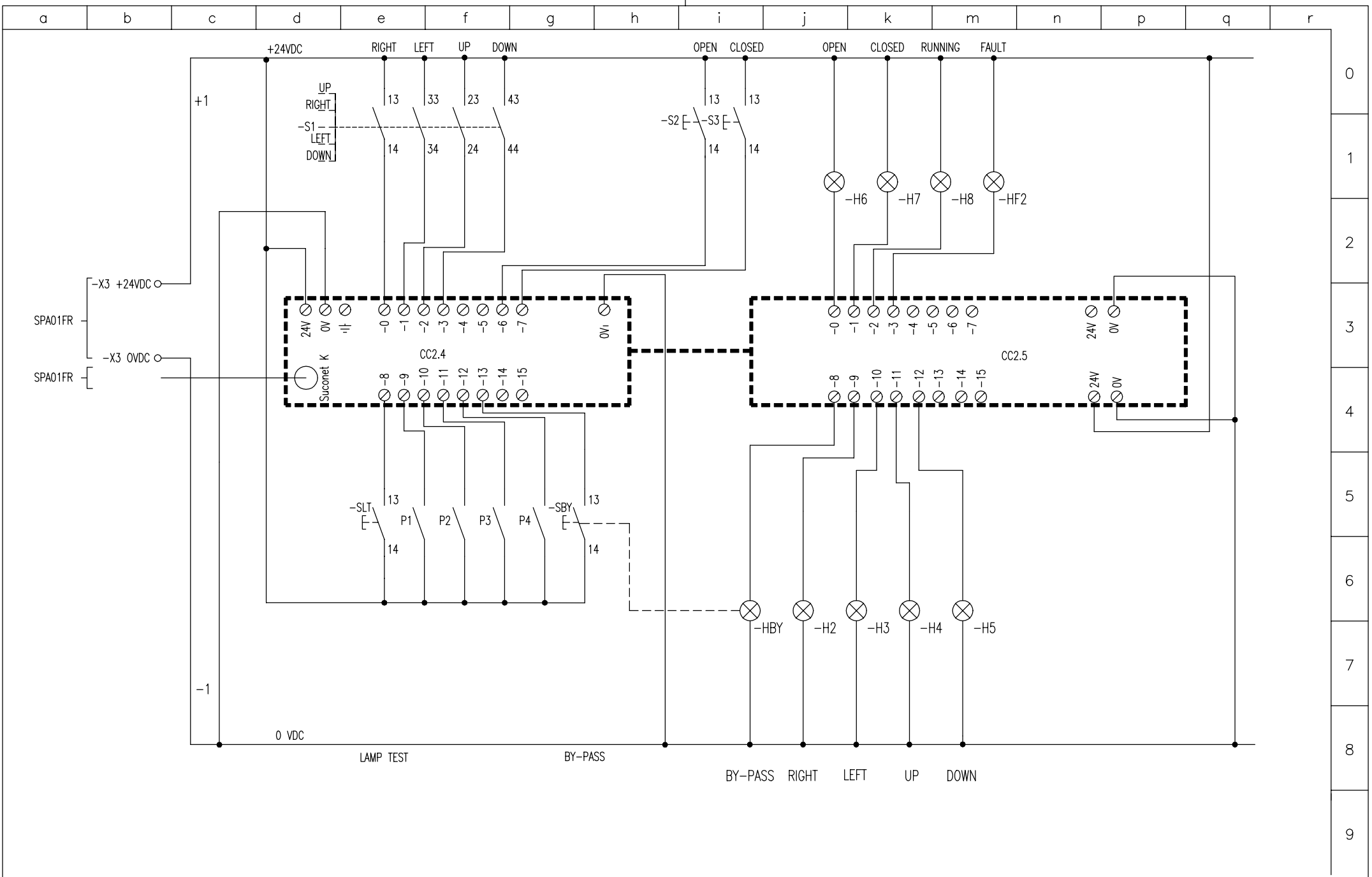
DATE	14.09.2001
SCALE	/
DRAWN	An.T.
CHECKED	ALT.
APPROVED	A.M.

DWG N° 46403511

PROJECT N°

SHEET N° 10 OF 13

0	ISSUED	14.09.01
REV.	MODIFY	DATE



CACCIALANZA & C. s.p.a.
 ANTINCENDIO SICUREZZA ANTINQUINAMENTO
 SEGRATE (MILANO) - ITALY

TITLE
 MONITOR 3 MOTIONS
 TYPE A2-A4-A6-A8/EL

CLIENT

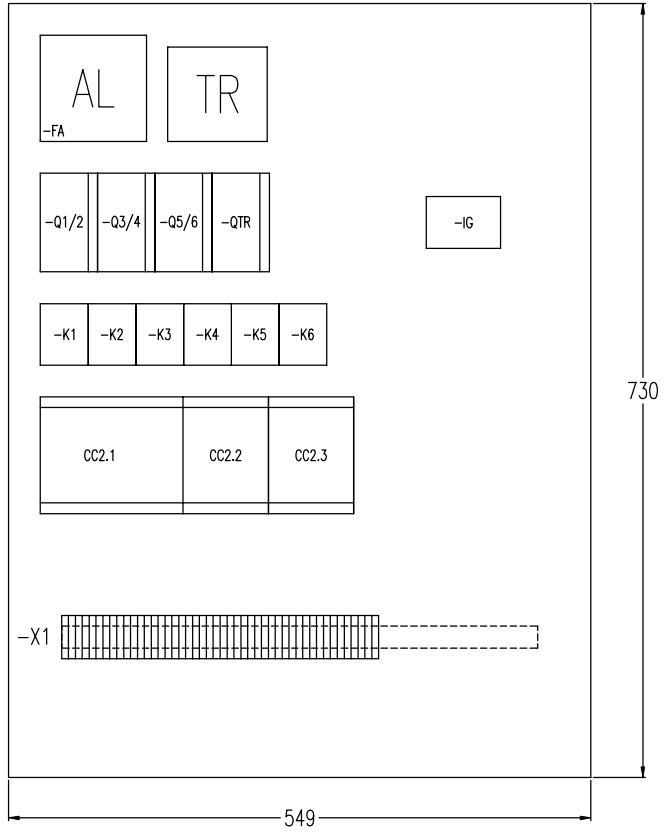
DATE	14.09.2001
SCALE	/
DRAWN	An.T.
CHECKED	AL.T.
APPROVED	A.M.
REV.	MODIFY
0	ISSUED
14.09.01	

DWG N° 46403511

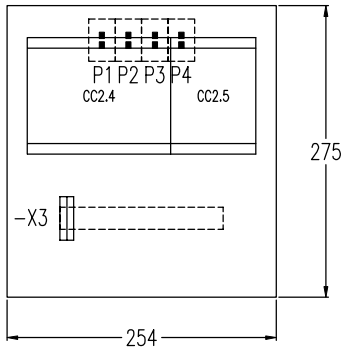
PROJECT N°

SHEET N. 11 OF 13

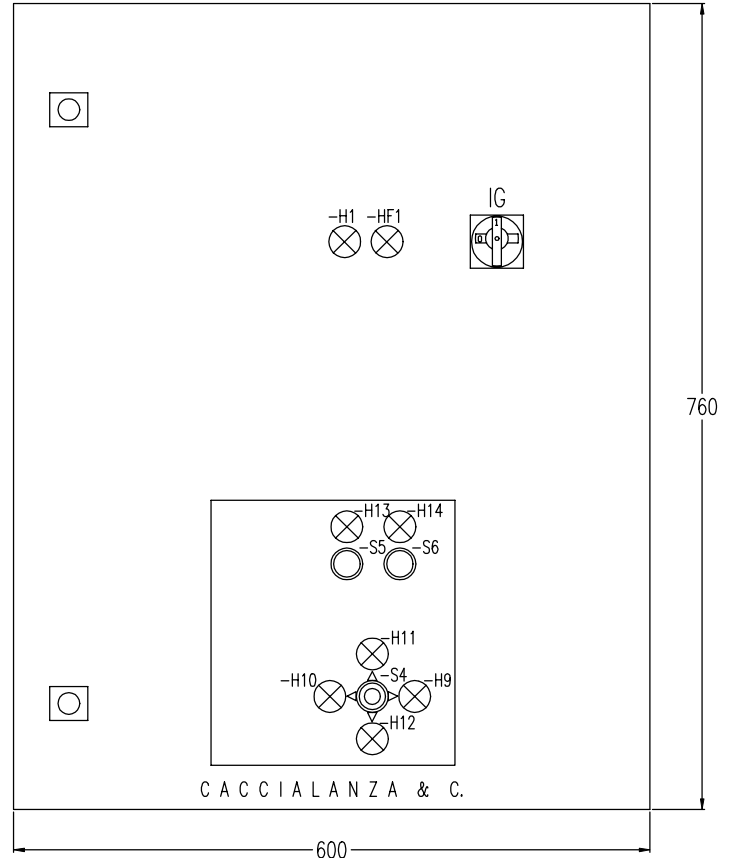
SPA01FR



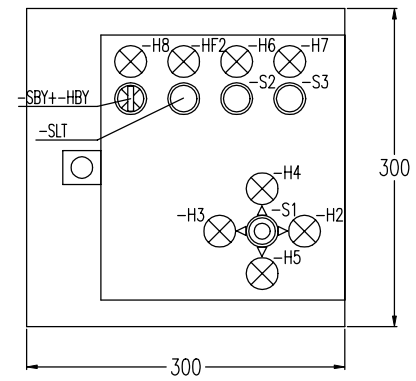
SREPA03



SPA01FR



SREPA03



DEPTH: 210mm

CACCIALANZA & C. s.p.a.
 ANTINCENDIO SICUREZZA ANTINQUINAMENTO
 SEGRATE (MILANO) - ITALY

TITLE
MONITOR 3 MOTIONS
 TYPE A2-A4-A6-A8/EL

CLIENT

DATE	14.09.2001
SCALE	/
DRAWN	An.T.
CHECKED	AL.T.
APPROVED	A.M.
REV.	MODIFY
0	ISSUED
14.09.01	DATE

DWG N° **46403511**
 PROJECT N°
 SHEET N° 13 OF 13