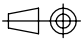


0	14.09.2001	ISSUED	An.T.	Al.T.	A.M.
Rev.	Date	Description	Drawn	Checked	Approved
CACCIALANZA & C. <small>s.p.A.</small> ANTINCENDIO SICUREZZA ANTINUQUINAMENTO SEGRATE (MILANO) - ITALY		Client / Project			
		Title			
	Date	Name	PANEL 1 MONITOR (2 MOV.) AND MO VALVE WITH NOZZLE/DEFLECTOR STANDARD EXECUTION		
Drawn	14.09.2001	An.T.			
Checked	14.09.2001	Al.T.			
Approved	14.09.2001	A.M.			
Code	Sys.	Size	Scale	Dwg nr.	Rev.
		A3	/	46403121	0
					Sheet 1
					of 13
THIS DRAWING IS THE PROPERTY OF CACCIALANZA & C. S.p.A. AND IS NOT TO BE REPRODUCED OR USED TO FURNISH ANY INFORMATION FOR MAKING OF DRAWINGS OR APPARATUS EXCEPT WHERE PROVIDED FOR BY AGREEMENT WITH SAID COMPANY					

a	b	c	d	e	f	g	h	i	j	k	m	n	p	q	r													
SHEET	DESCRIPTION						MODIFY					SHEET	DESCRIPTION						MODIFY					0				
							A	B	C	D	E								F	G	H	I	A		B	C	D	E
1	COVER						0						29															
2	MODIFY TABLE						0						30															
3	TECHNICAL DATA						0						31															
4	WIRE COLOUR TABLE						0						32															
5	POWER WIRING SPA01RE						0						33															
6	MAIN SUPPLY SPA01RE						0						34															
7	-M01.1 WIRING RIGHT/LEFT						0						35															
8	-M01.2 WIRING UP/DOWN						0						36															
9	-N1 WIRING						0						37															
10	-VA1 WIRING						0						38															
11	SPA01FR WIRING						0						39															
12	SPA01FR TERMINAL CONNECTIONS						0						40															
13	SPA01FR LAY OUT AND FRONT PANEL						0						41															
14													42															
15													43															
16													44															
17													45															
18													46															
19													47															
20													48															
21													49															
22													50															
23													51															
24													52															
25													53															
26													54															
27													55															
28													56															

CACCIALANZA & C. s.p.a. ANTINCENDIO SICUREZZA ANTINQUINAMENTO SEGRATE (MILANO) - ITALY	TITLE		CLIENT		DATE	14.09.2001	DWG N°	46403121
	MONITOR 4 MOTIONS				SCALE	/	PROJECT N°	
	TYPE A2-A4-A6-A8/EL				DRAWN	An.T.		
					0	ISSUED	14.09.01	CHECKED
				REV.	MODIFY	DATE	APPROVED	A.M.
								SHEET N° 2 OF 13

a b c d e f g h i j k m n p q r

0
1
2
3
4
5
6
7
8
9

PANEL BOARD TECHNICAL DATA		
RATED SERVICE VOLTAGE:.....400V	TYPE OF SEGREGATION:.....FORM 1	TEMPERATURE:.....40°C
RATED INSULATION VOLTAGE:.....1000V	INSTALLATION:.....OUTDOOR	DEGREE OF PROTECTION:.....IP65
RATED FREQUENCY:.....50Hz	COMPLIANCE WITH STANDARD:.....CEI 17/13.1	COLOR:.....RED RAL3000
ELECTRICAL SYSTEM:.....3Ph+PE	IN/OUT CABLES:.....BOTTOM	

CACCIALANZA & C. s.p.a
 ANTINCENDIO SICUREZZA ANTINQUINAMENTO
 SEGRATE (MILANO) - ITALY

TITLE
MONITOR 4 MOTIONS
TYPE A2-A4-A6-A8/EL

CLIENT

			DATE	14.09.2001	DWG N°	46403121
			SCALE	/		
			DRAWN	An.T.	PROJECT N°	
0	ISSUED	14.09.01	CHECKED	ALT.		
REV.	MODIFY	DATE	APPROVED	A.M.	SHEET N°	3 OF 13

a b c d e f g h i j k m n p q r

0
1
2
3
4
5
6
7
8
9

POWER CIRCUIT		AUXILIARY CIRCUIT	
MIN. SECTION 2,5mmq		MIN. SECTION 1,5mmq	
CONDUCTOR		CONDUCTOR	
PHASES	BLACK	24V - C.A.	RED
NEUTRAL	LIGHT BLUE	110V - A.C	RED
GROUND	YELLOW-GREEN	220V - A.C	BLACK
		24V - D.C	BLUE
WIRE COLOUR TABLE			

CACCIALANZA & C. s.p.a
 ANTINCENDIO SICUREZZA ANTINQUINAMENTO
 SEGRATE (MILANO) - ITALY

TITLE
MONITOR 4 MOTIONS
 TYPE A2-A4-A6-A8/EL

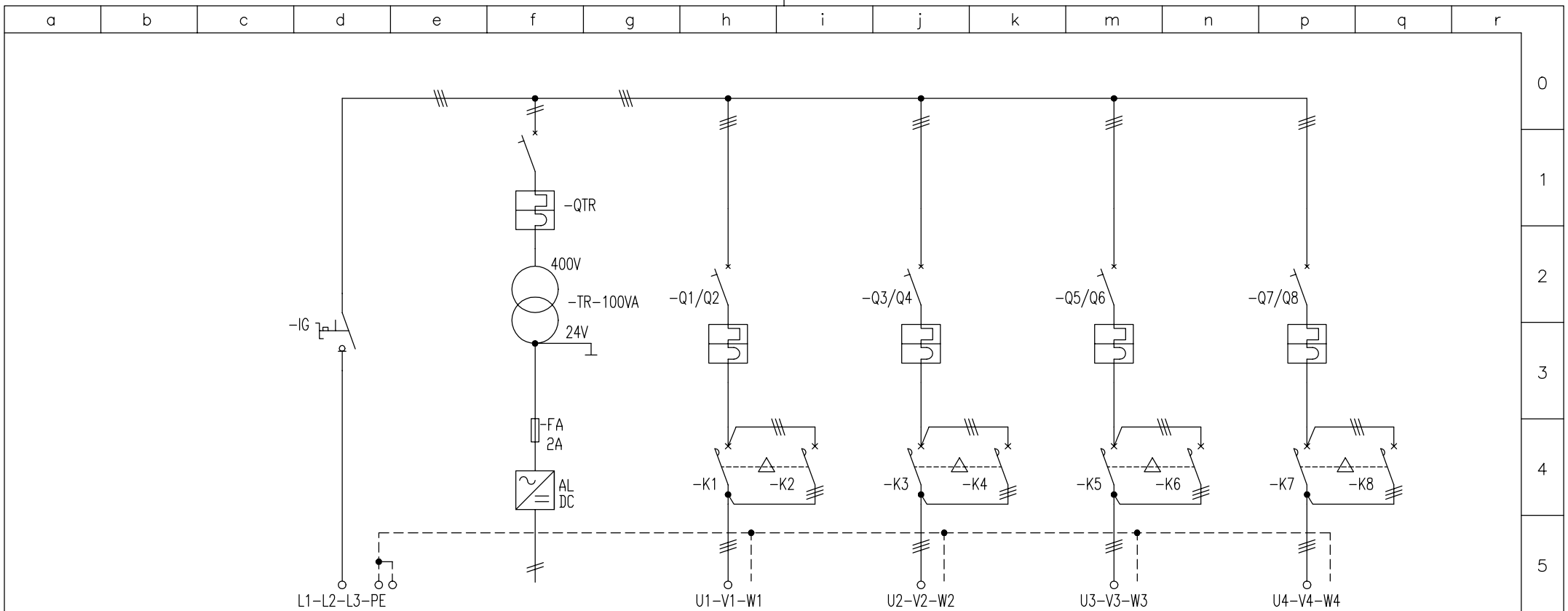
CLIENT

			DATE	14.09.2001
			SCALE	/
			DRAWN	An.T.
0	ISSUED	14.09.01	CHECKED	AL.T.
REV.	MODIFY	DATE	APPROVED	A.M.

DWG N° **46403121**

PROJECT N°

SHEET N° 4 OF 13



USE	CIRCUIT		n?		MAIN SUPPLY		RIGHT/LEFT MONITOR MO1.1		UP/DOWN MONITOR MO1.2		NOZZLE -N1		VALVE -VA1	
	DESCRIPTION		Kw	A	1.9	3.8	0,45	0,9	0,45	0,9	0,45	0,9	0,45	0,9
ELECTRICAL EQUIPMENT	SWITCH	TYPE	P1-25 /Z		
		RATED CURRENT - N. POLES	A	n?	25	3	
		BREAKING CAPACITY	V	KA	400		
		SETTING CURRENT MAG. ELEMENT	A											
		SETTING CURRENT THE. ELEMENT	A											
	THERMAL RELAY	TYPE	DILER40//G(24VDC)		DILER40//G(24VDC)		DILER40//G(24VDC)		DILER40//G(24VDC)		DILER40//G(24VDC)		DILER40//G(24VDC)	
		RATED CURRENT	A											
		UTILIZATION CATEGORY	AC-3		AC-3		AC-3		AC-3		AC-3		AC-3	
		SETTING RANGE	A											
		SETTING CURRENT	A											
FUSEHOLDER	TYPE & CURRENT		A											
	FUSES - TYPE & SETTING CURRENT		A											
	AMMETER													
	VOLTMETER													
LINE	CABLE	TYPE												
		SECTION	mmq				(4G2,5)		(4G2,5)		(4G2,5)		(4G2,5)	
		LANCE	mt											
		RATED CURRENT(Iz)	A											

CACCIALANZA & C. s.p.a
 ANTINCENDIO SICUREZZA ANTINQUINAMENTO
 SEGRATE (MILANO) - ITALY

TITLE
MONITOR 4 MOTIONS
 TYPE A2-A4-A6-A8/EL

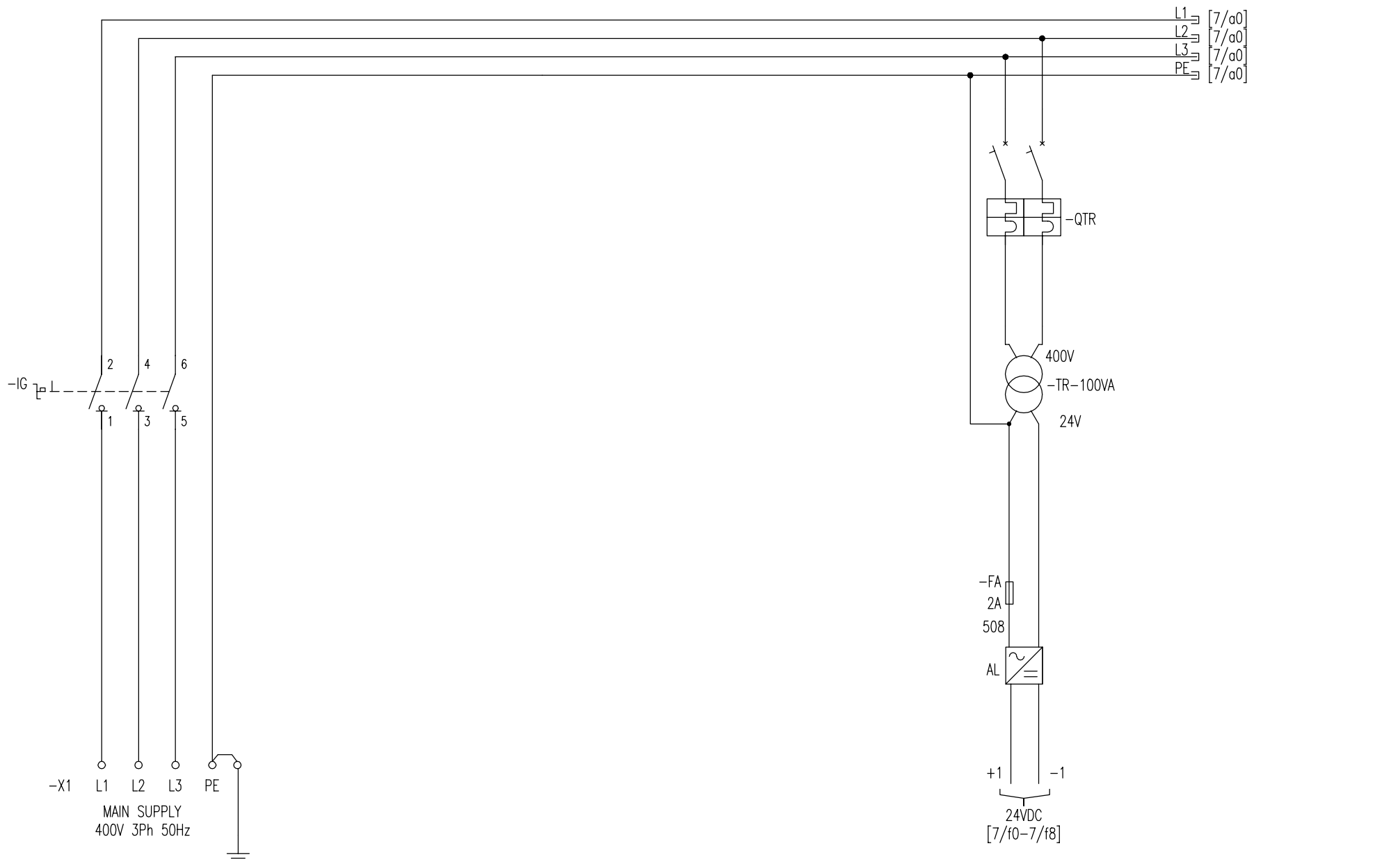
CLIENT

DATE	14.09.2001
SCALE	/
DRAWN	An.T.
CHECKED	AL.T.
APPROVED	A.M.

DWG N° **46403121**
 PROJECT N°
 SHEET N° 5 OF 13

0	ISSUED	14.09.01
REV.	MODIFY	DATE

a b c d e f g h i j k m n p q r



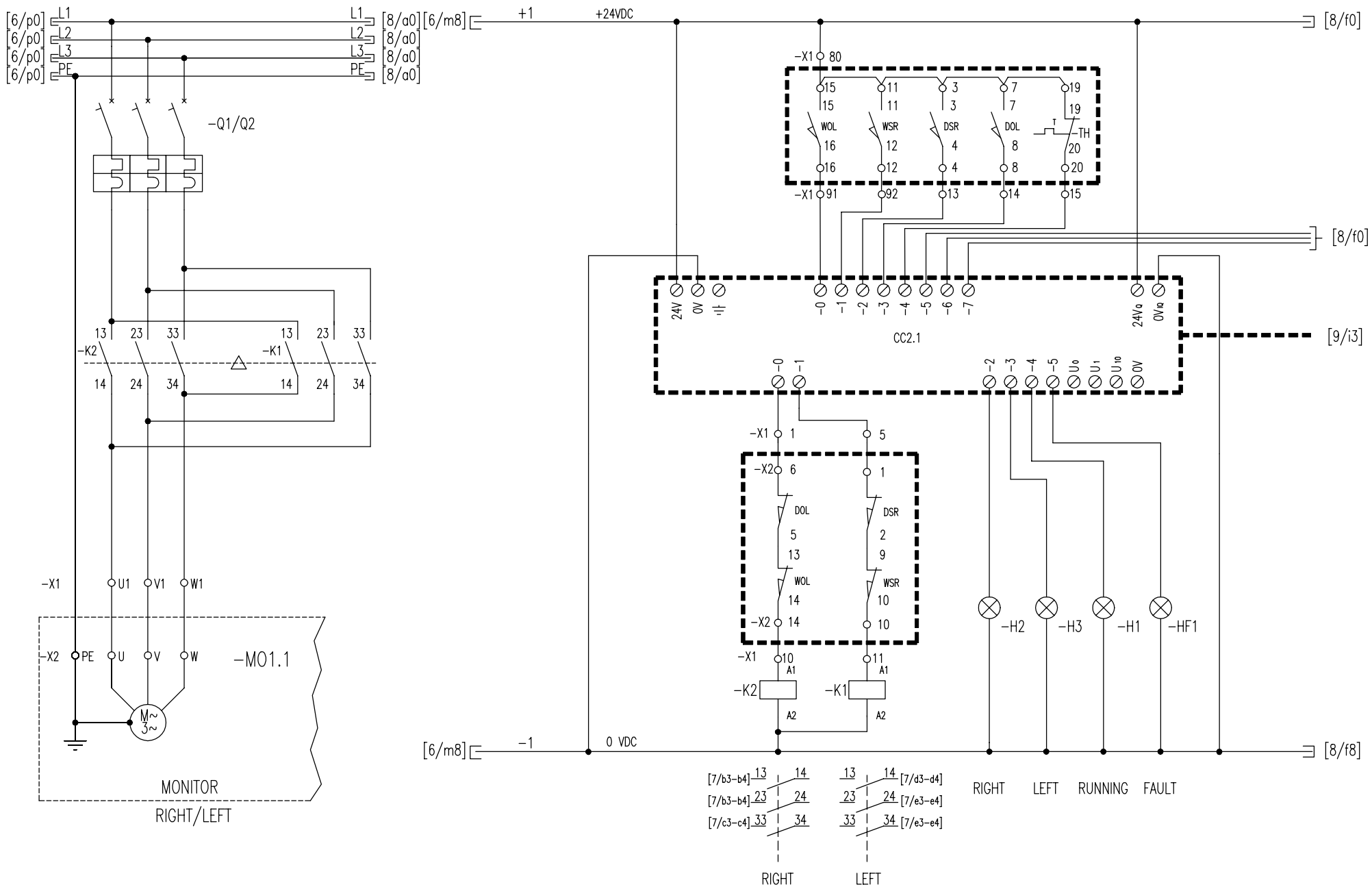
0
1
2
3
4
5
6
7
8
9

CACCIALANZA & C. s.p.a.
 ANTINCENDIO SICUREZZA ANTINQUINAMENTO
 SEGRATE (MILANO) - ITALY

TITLE
 MONITOR 4 MOTIONS
 TYPE A2-A4-A6-A8/EL

CLIENT

		DATE	14.09.2001	DWG N°	46403121
		SCALE	/	PROJECT N°	
		DRAWN	An.T.		
0	ISSUED	14.09.01	CHECKED	AL.T.	
REV.	MODIFY	DATE	APPROVED	A.M.	SHEET N° 6 OF 13



CACCIALANZA & C. s.p.a.
ANTINCENDIO SICUREZZA ANTINQUINAMENTO
SEGRATE (MILAND) - ITALY

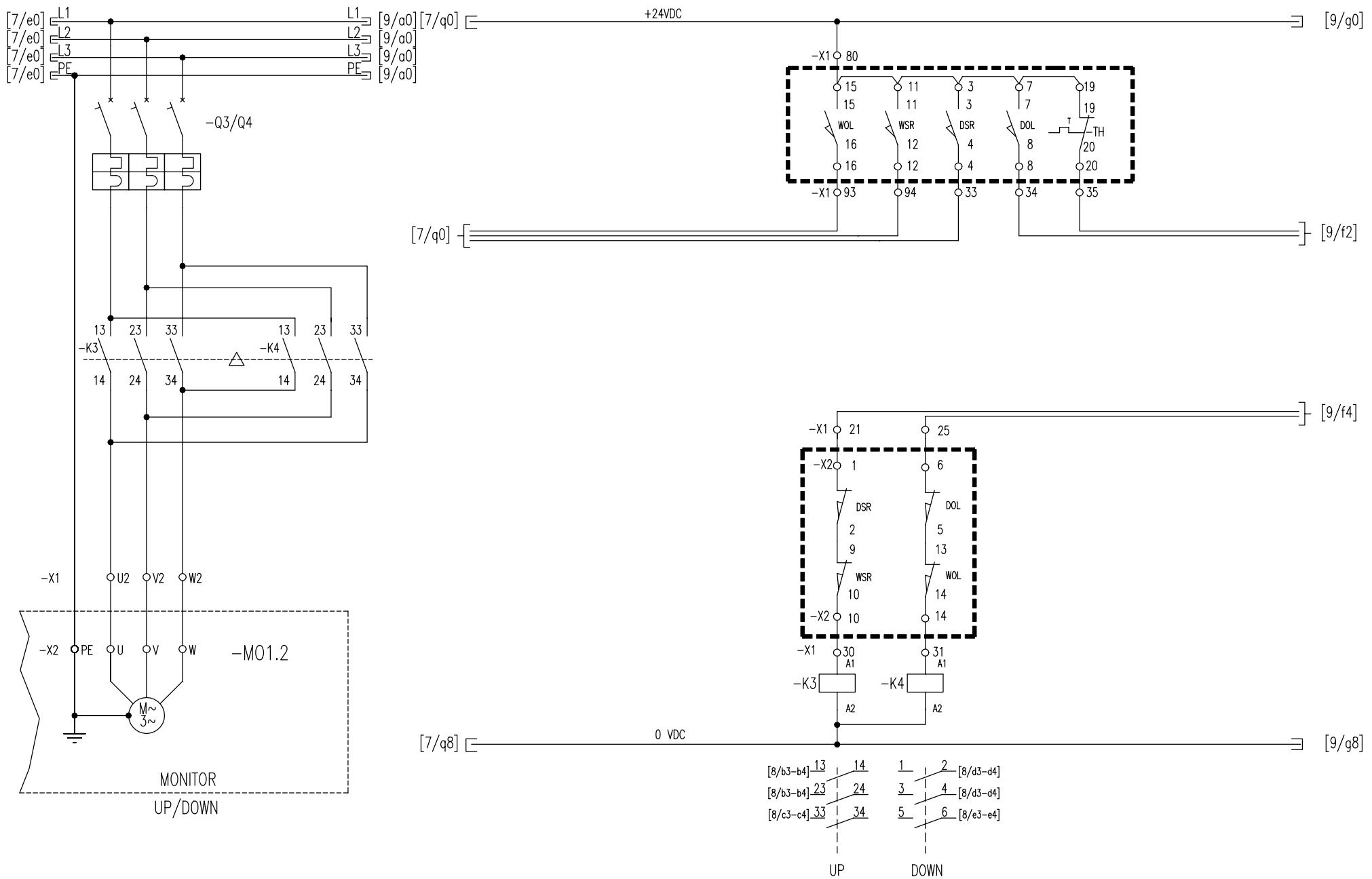
TITLE
MONITOR 4 MOTIONS
TYPE A2-A4-A6-A8/EL

CLIENT

DATE	14.09.2001
SCALE	/
DRAWN	An.T.
CHECKED	AL.T.
APPROVED	A.M.

DWG N° 46403121
PROJECT N°
SHEET N. 7 OF 13

0	ISSUED	14.09.01
REV.	MODIFY	DATE



CACCIALANZA & C. s.p.a.
ANTINCENDIO SICUREZZA ANTINQUINAMENTO
SEGRATE (MILANO) - ITALY

TITLE
MONITOR 4 MOTIONS
TYPE A2-A4-A6-A8/EL

CLIENT

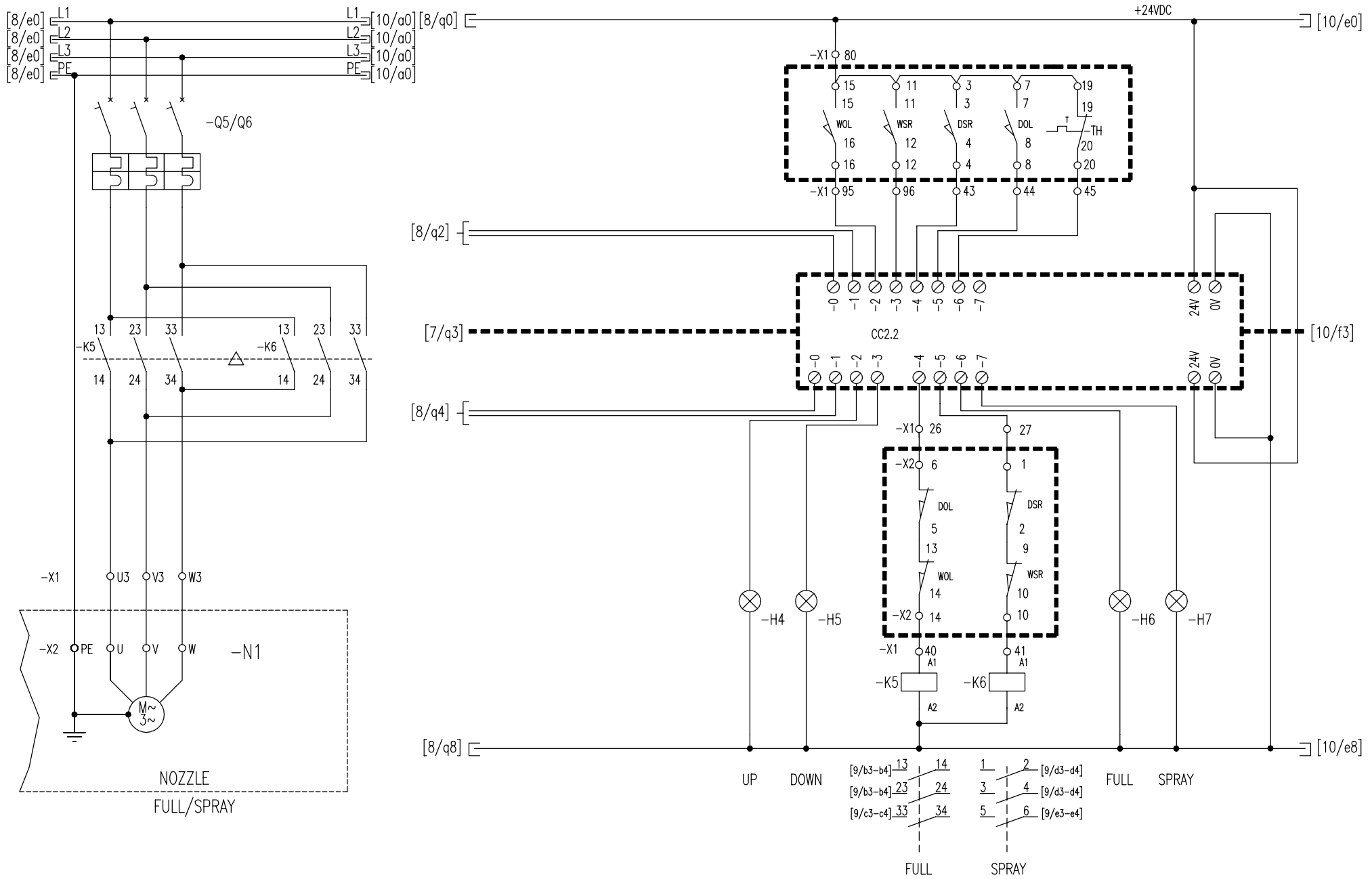
DATE	14.09.2001
SCALE	/
DRAWN	An.T.
CHECKED	AL.T.
APPROVED	A.M.

DWG N° 46403121

PROJECT N°

0	ISSUED	14.09.01	CHECKED	AL.T.
REV.	MODIFY	DATE	APPROVED	A.M.

SHEET N. 8 OF 13



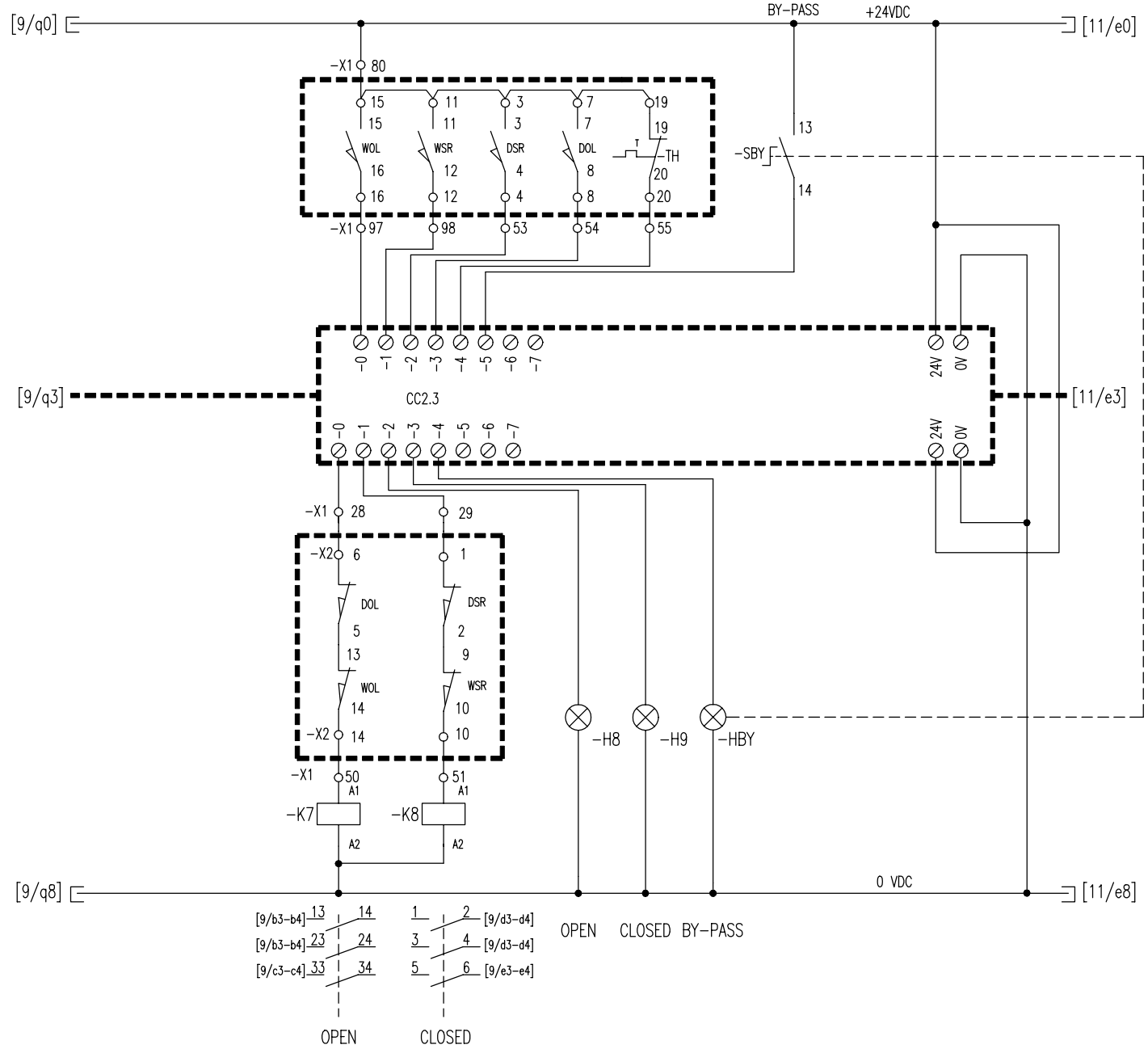
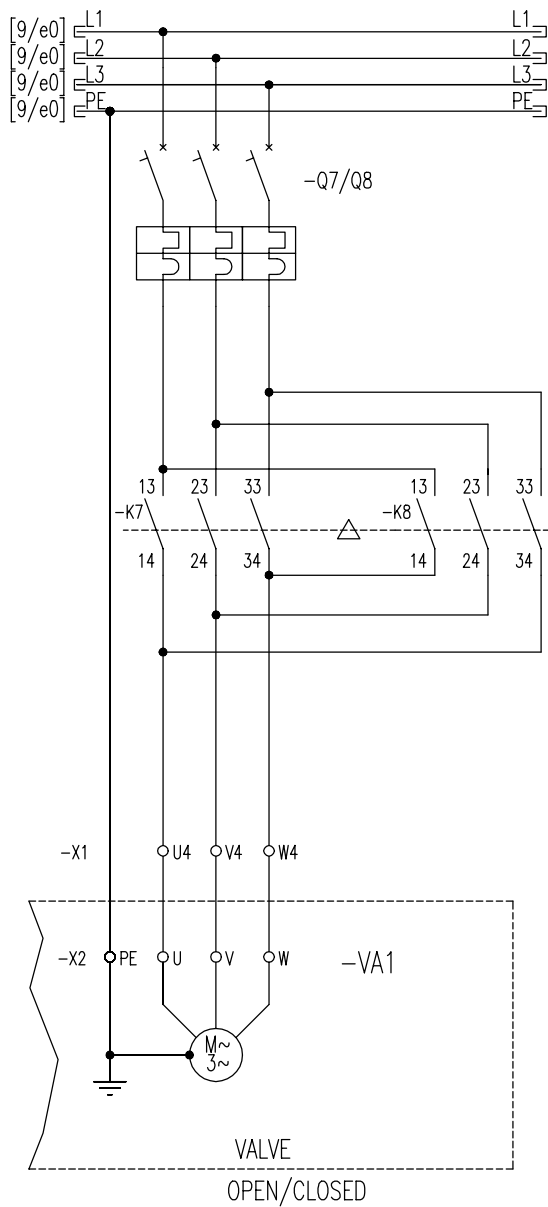
CACCIALANZA & C. s.p.a.
 ANTINCENDIO SICUREZZA ANTINQUINAMENTO
 SEGRATE (MILANO) - ITALY

TITLE
 MONITOR 4 MOTIONS
 TYPE A2-A4-A6-A8/EL

CLIENT

DATE	14.09.2001
SCALE	/
DRAWN	An.T.
CHECKED	AL.T.
APPROVED	A.M.
REV.	MODIFY
0	ISSUED
14.09.01	DATE

DWG N° 46403121
 PROJECT N°
 SHEET N. 9 OF 13



CACCIALANZA & C. s.p.a.
ANTINCENDIO SICUREZZA ANTINQUINAMENTO
SEGRATE (MILANO) - ITALY

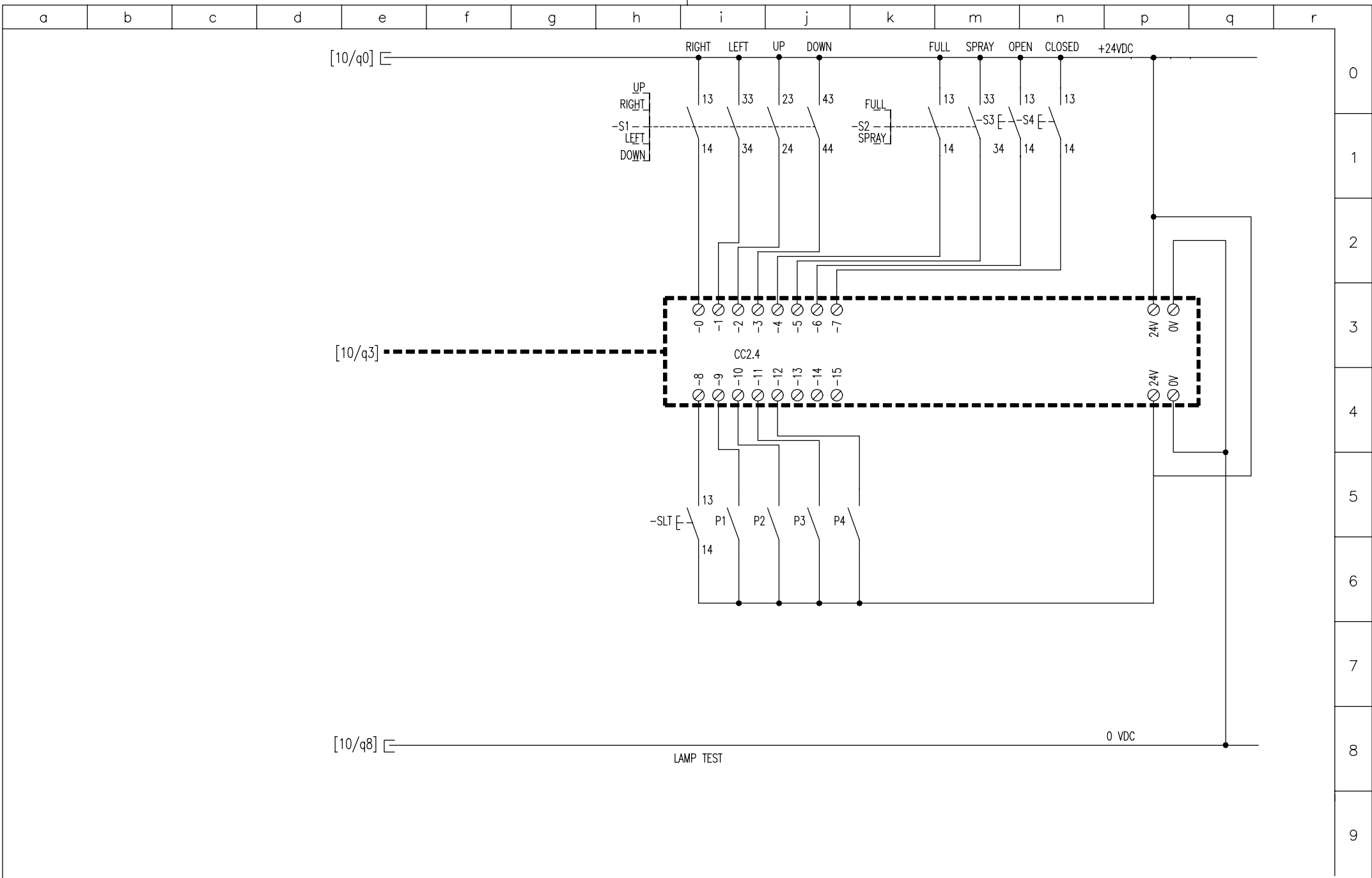
TITLE
MONITOR 4 MOTIONS
TYPE A2-A4-A6-A8/EL

CLIENT

DATE	14.09.2001
SCALE	/
DRAWN	An.T.
CHECKED	AL.T.
APPROVED	A.M.

DWG N° 46403121
PROJECT N°
SHEET N. 10 OF 13

0	ISSUED	14.09.01
REV.	MODIFY	DATE



CACCIALANZA & C. s.p.a.
 ANTINCENDIO SICUREZZA ANTINQUINAMENTO
 SEGRATE (MILANO) - ITALY

TITLE
 MONITOR 4 MOTIONS
 TYPE A2-A4-A6-A8/EL

CLIENT

DATE	14.09.2001
SCALE	/
DRAWN	An.T.
CHECKED	ALT.
APPROVED	A.M.
REV.	MODIFY
DATE	14.09.01

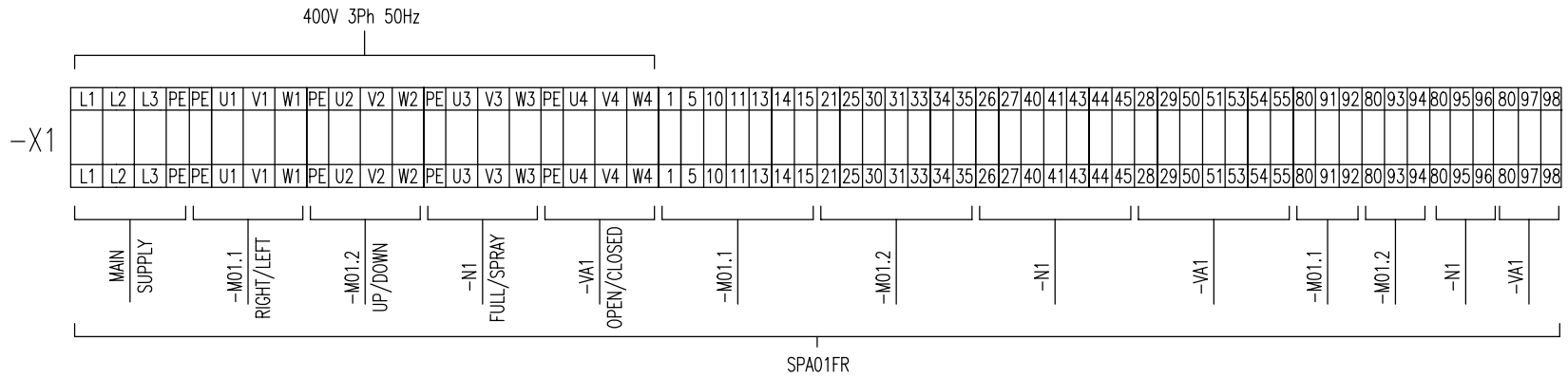
DWG N° 46403121

PROJECT N°

SHEET N° 11 OF 13

a b c d e f g h i j k m n p q r

0
1
2
3
4
5
6
7
8
9



CACCIALANZA & C. s.p.a.
ANTINCENDIO SICUREZZA ANTINQUINAMENTO
SEGRATE (MILANO) - ITALY

TITLE
MONITOR 4 MOTIONS
TYPE A2-A4-A6-A8/EL

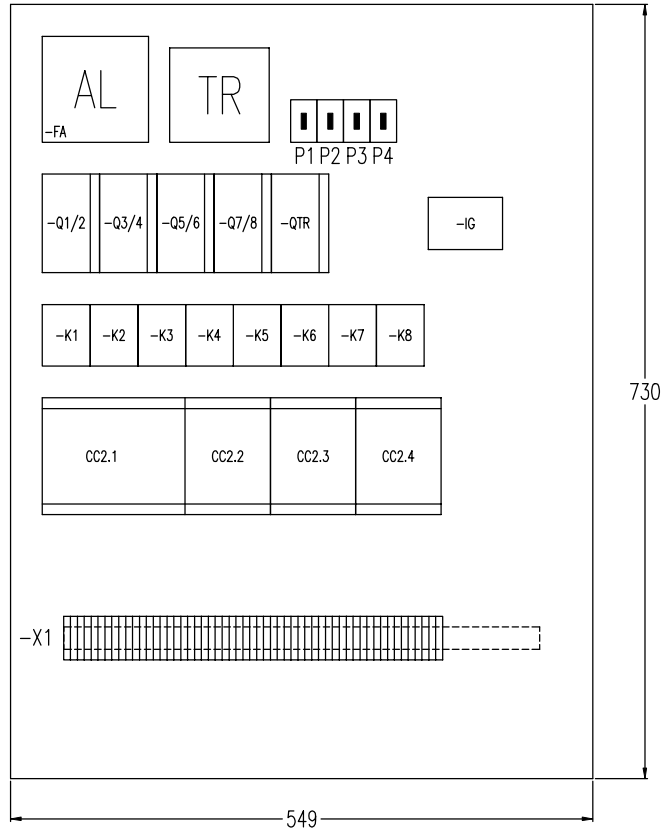
CLIENT

			DATE	14.09.2001	DWG N°	46403121
			SCALE	/		
			DRAWN	An.T.		
0	ISSUED	14.09.01	CHECKED	ALT.	PROJECT N°	
REV.	MODIFY	DATE	APPROVED	A.M.	SHEET N°.	12 OF 13

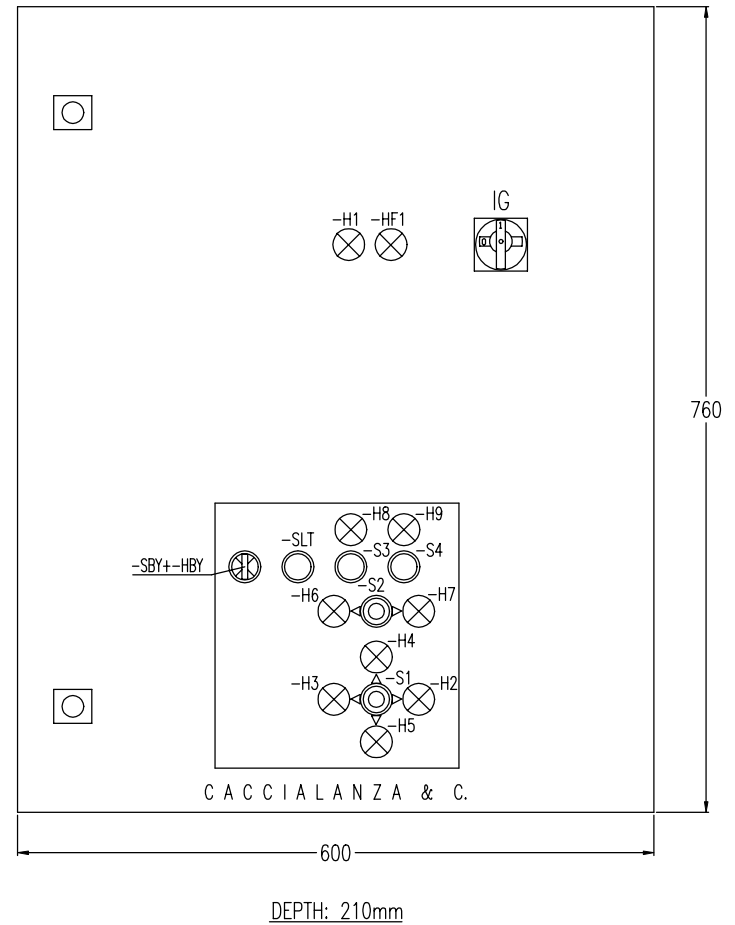
a b c d e f g h i j k m n p q r

0
1
2
3
4
5
6
7
8
9

SPA01FR



SPA01FR



CACCIALANZA & C. s.p.a.
ANTINCENDIO SICUREZZA ANTINQUINAMENTO
SEGRATE (MILANO) - ITALY

TITLE
MONITOR 4 MOTIONS
TYPE A2-A4-A6-A8/EL

CLIENT

DATE	14.09.2001
SCALE	/
DRAWN	An.T.
CHECKED	AL.T.
DATE	14.09.01
APPROVED	A.M.
REV.	MODIFY

DWG N° 46403121

PROJECT N°

SHEET N°. 13 OF 13