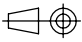


0	14.09.2001	ISSUED	An. T.	Al. T.	A. M.
Rev.	Date	Description	Drawn	Checked	Approved
<b>CACCIALANZA &amp; C.</b> <small>s.p.A.</small> ANTINCENDIO SICUREZZA ANTINQUINAMENTO SEGRATE (MILAND) - ITALY		Client / Project			
		Title			
	Date	Name	PANEL 1 MONITOR (2 MOV.) AND MO VALVE STANDARD EXECUTION		
Drawn	14.09.2001	An. T.			
Checked	14.09.2001	Al. T.			
Approved	14.09.2001	A. M.			
Code	Sys.	Size	Scale	Dwg nr.	Rev.
		A 3	/	46403111	0
					Sheet 1
					of 12
THIS DRAWING IS THE PROPERTY OF CACCIALANZA & C. S.p.A. AND IS NOT TO BE REPRODUCED OR USED TO FURNISH ANY INFORMATION FOR MAKING OF DRAWINGS OR APPARATUS EXCEPT WHERE PROVIDED FOR BY AGREEMENT WITH SAID COMPANY					

a	b	c	d	e	f	g	h	i	j	k	m	n	p	q	r													
SHEET	DESCRIPTION						MODIFY					SHEET	DESCRIPTION						MODIFY					0				
							A	B	C	D	E								F	G	H	I	A		B	C	D	E
1	COVER						0						29															
2	MODIFY TABLE						0						30															
3	TECHNICAL DATA						0						31															
4	WIRE COLOUR TABLE						0						32															
5	POWER WIRING						0						33															
6	MAIN SUPPLY						0						34															
7	-M01.1 WIRING RIGHT/LEFT						0						35															
8	-M01.2 WIRING UP/DOWN						0						36															
9	-VA1 WIRING / WIRING RUNNING AND FAULT LAMP						0						37															
10	SWITCHES AND LAMPS WIRING						0						38															
11	SPA01FR TERMINAL CONNECTIONS						0						39															
12	LAY OUT AND FRONT PANEL						0						40															
13													41															
14													42															
15													43															
16													44															
17													45															
18													46															
19													47															
20													48															
21													49															
22													50															
23													51															
24													52															
25													53															
26													54															
27													55															
28													56															

<b>CACCIALANZA &amp; C. s.p.a.</b> ANTINCENDIO SICUREZZA ANTINQUINAMENTO SEGRATE (MILANO) - ITALY	TITLE		CLIENT		DATE	14.09.2001	DWG N°	46402111
	MONITOR 3 MOTIONS				SCALE	/	PROJECT N°	
	TYPE A2-A4-A6-A8/EL				DRAWN	An.T.		
					0	ISSUED	14.09.01	CHECKED
				REV.	MODIFY	DATE	APPROVED	A.M.
								SHEET N° 2 OF 12

a b c d e f g h i j k m n p q r

0  
1  
2  
3  
4  
5  
6  
7  
8  
9

PANEL BOARD TECHNICAL DATA		
RATED SERVICE VOLTAGE:.....400V	TYPE OF SEGREGATION:.....FORM 1	TEMPERATURE:.....40°C
RATED INSULATION VOLTAGE:.....1000V	INSTALLATION:.....OUTDOOR	DEGREE OF PROTECTION:.....IP65
RATED FREQUENCY:.....50Hz	COMPLIANCE WITH STANDARD:.....CEI 17/13.1	COLOR:.....RED RAL3000
ELECTRICAL SYSTEM:.....3Ph+PE	IN/OUT CABLES:.....BOTTOM	

**CACCIALANZA & C. s.p.a**  
 ANTINCENDIO SICUREZZA ANTINQUINAMENTO  
 SEGRATE (MILANO) - ITALY

TITLE  
**MONITOR 3 MOTIONS**  
 TYPE A2-A4-A6-A8/EL

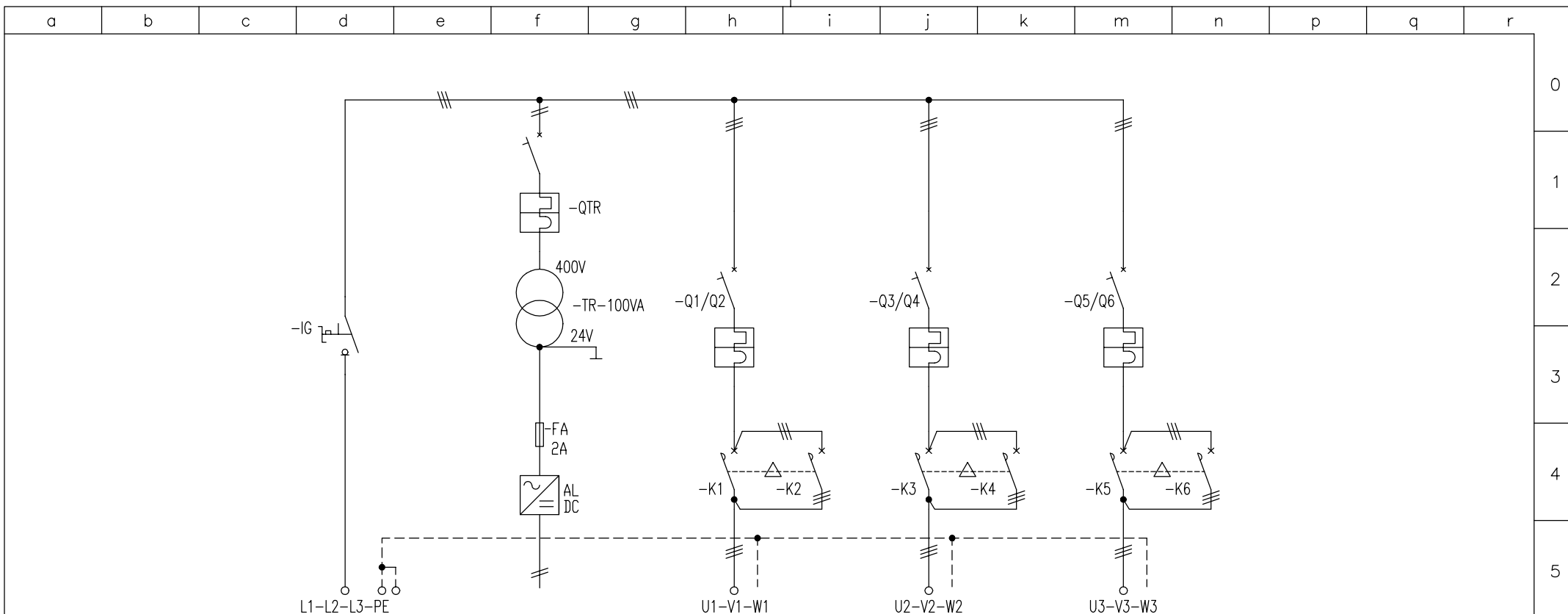
CLIENT

			DATE	14.09.2001	DWG N°	46402111
			SCALE	/		
			DRAWN	An.T.	PROJECT N°	
0	ISSUED	14.09.01	CHECKED	ALT.		
REV.	MODIFY	DATE	APPROVED	A.M.	SHEET N°	3 OF 12

a b c d e f g h i j k m n p q r

0  
1  
2  
3  
4  
5  
6  
7  
8  
9

POWER CIRCUIT		AUXILIARY CIRCUIT	
MIN. SECTION 2,5mmq		MIN. SECTION 1,5mmq	
CONDUCTOR		CONDUCTOR	
PHASES	BLACK	24V - C.A.	RED
NEUTRAL	LIGHT BLUE	110V - A.C	RED
GROUND	YELLOW-GREEN	220V - A.C	BLACK
		24V - D.C	BLUE
WIRE COLOUR TABLE			



USE	CIRCUIT		n?		MAIN SUPPLY		RIGHT/LEFT MONITOR MO1.1		UP/DOWN MONITOR MO1.2		VALVE -VA1	
	DESCRIPTION		Kw	A	1,45	2,9	0,45	0,9	0,45	0,9	0,45	0,9
ELECTRICAL EQUIPMENT	SWITCH	TYPE	P1-25 /Z				.....		.....		.....	
		RATED CURRENT - N. POLES	A	n?	25	3						
		BREAKING CAPACITY	V	KA	400							
		SETTING CURRENT MAG. ELEMENT	A									
		SETTING CURRENT THE. ELEMENT	A									
	CON-FACTOR	TYPE	DILER40//G(24VDC)				DILER40//G(24VDC)		DILER40//G(24VDC)		DILER40//G(24VDC)	
		RATED CURRENT	A									
		UTILIZATION CATEGORY	AC-3				AC-3		AC-3		AC-3	
	THERMAL RELAY	TYPE										
		SETTING RANGE	A									
FUSEHOLDER - TYPE & CURRENT	A											
	FUSES - TYPE & SETTING CURRENT		A									
LINE	AMMETER											
	VOLTMETER											
CABLE	TYPE											
	SECTION	mmq				(4G2,5)		(4G2,5)		(4G2,5)		
	LANCE	mt										
	RATED CURRENT(Iz)	A										

**CACCIALANZA & C. s.p.a**  
 ANTINCENDIO SICUREZZA ANTINQUINAMENTO  
 SEGRATE (MILAND) - ITALY

TITLE  
**MONITOR 3 MOTIONS**  
 TYPE A2-A4-A6-A8/EL

CLIENT

DATE	14.09.2001
SCALE	/
DRAWN	An.T.
CHECKED	AL.T.
APPROVED	A.M.

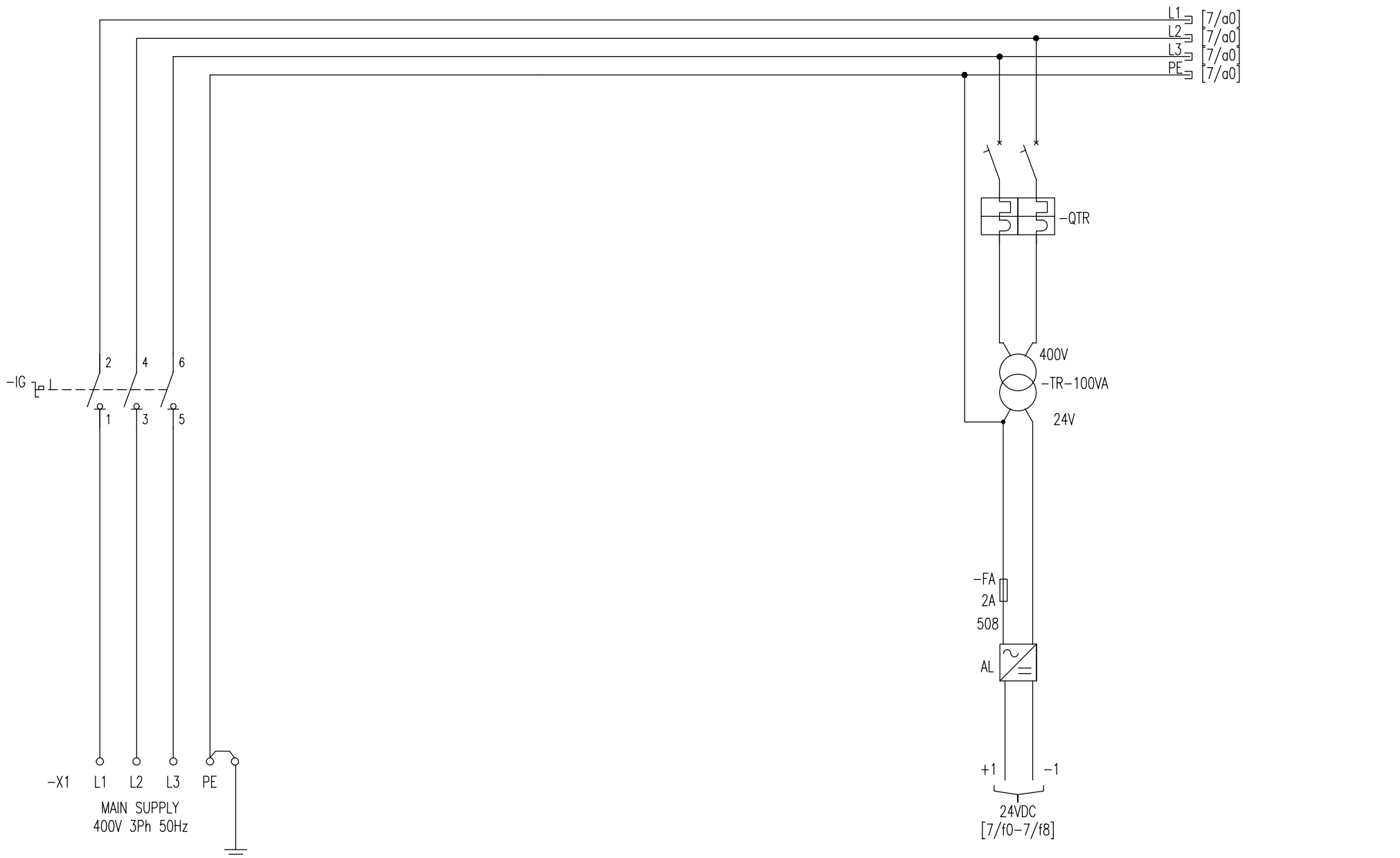
DWG N° **46402111**

PROJECT N°

SHEET N°. 5 OF 12

0	ISSUED	14.09.01
REV.	MODIFY	DATE

a b c d e f g h i j k m n p q r



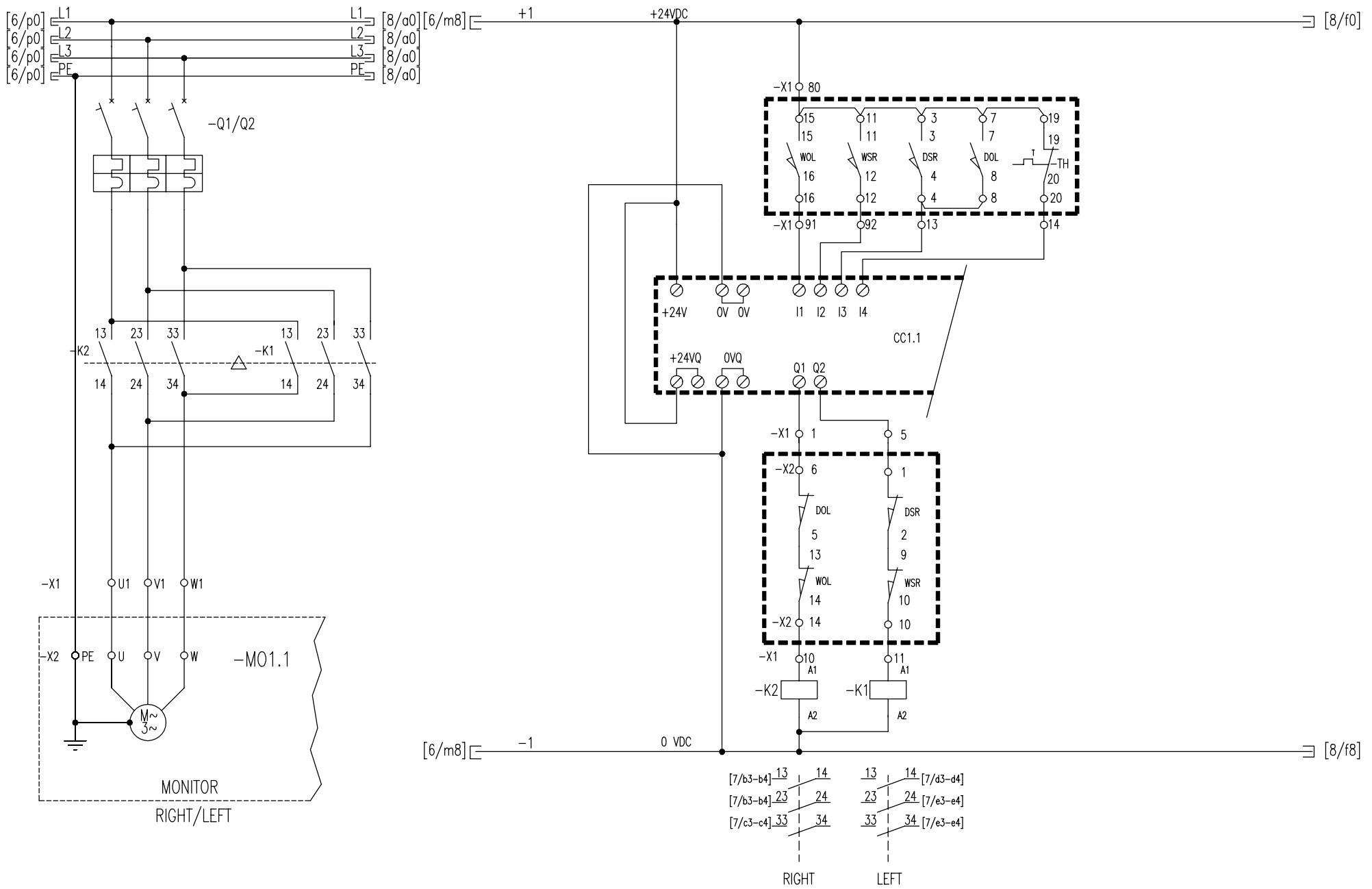
0  
1  
2  
3  
4  
5  
6  
7  
8  
9

**CACCIALANZA & C. s.p.a.**  
ANTINCENDIO SICUREZZA ANTINQUINAMENTO  
SEGRATE (MILANO) - ITALY

TITLE  
**MONITOR 3 MOTIONS**  
TYPE A2-A4-A6-A8/EL

CLIENT

		DATE	14.09.2001	DWG N°	46402111
		SCALE	/	PROJECT N°	
		DRAWN	An.T.		
0	ISSUED	14.09.01	CHECKED	AL.T.	
REV.	MODIFY	DATE	APPROVED	A.M.	SHEET N° 6 OF 12



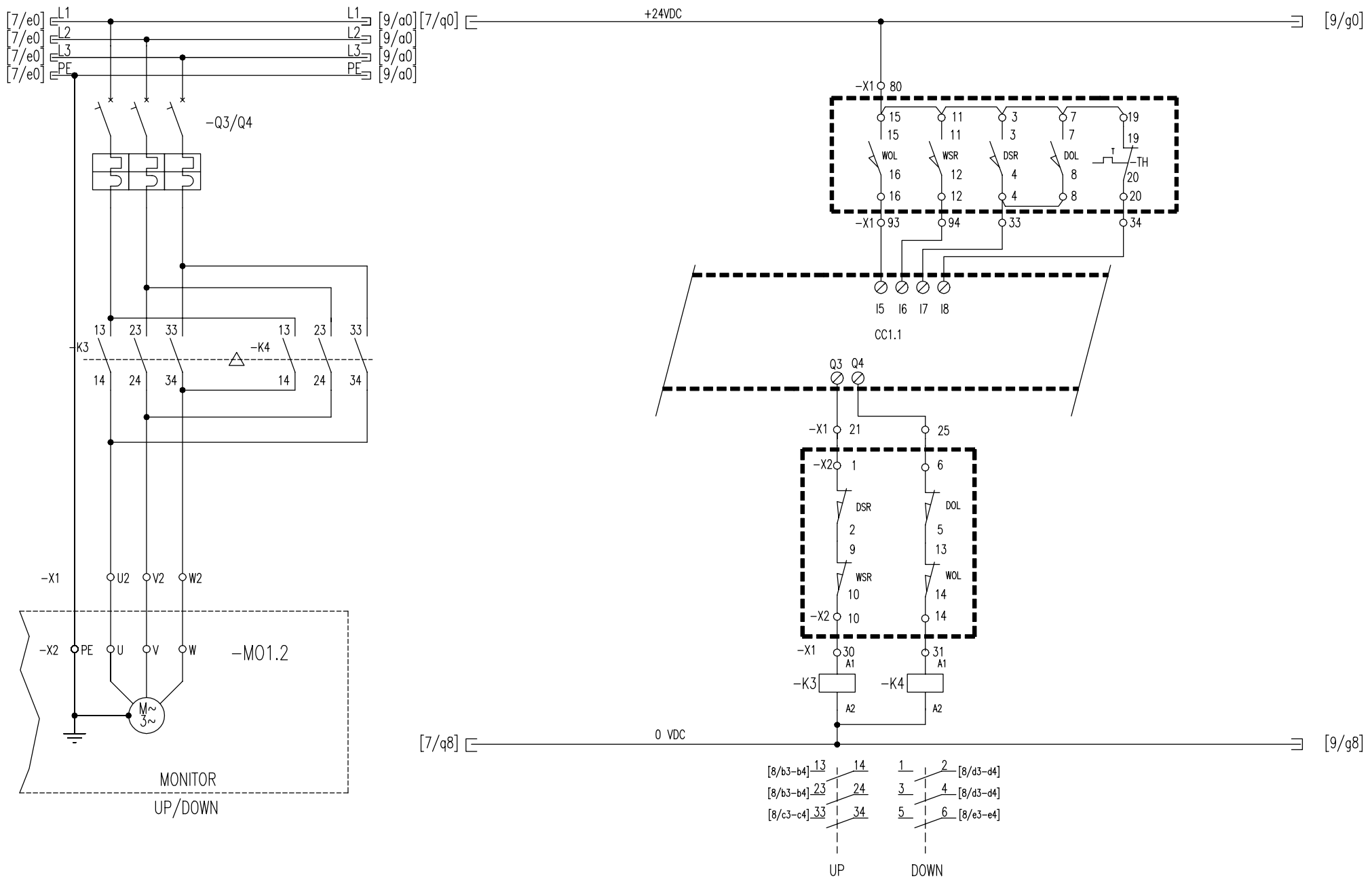
CACCIALANZA & C. s.p.a.  
ANTINCENDIO SICUREZZA ANTINQUINAMENTO  
SEGRATE (MILANO) - ITALY

TITLE  
MONITOR 3 MOTIONS  
TYPE A2-A4-A6-A8/EL

CLIENT

DATE	14.09.2001
SCALE	/
DRAWN	An.T.
CHECKED	AL.T.
APPROVED	A.M.
REV.	MODIFY
DATE	14.09.01

DWG N° 46402111  
PROJECT N°  
SHEET N. 7 OF 12



**CACCIALANZA & C. s.p.a.**  
 ANTINCENDIO SICUREZZA ANTINQUINAMENTO  
 SEGRATE (MILAND) - ITALY

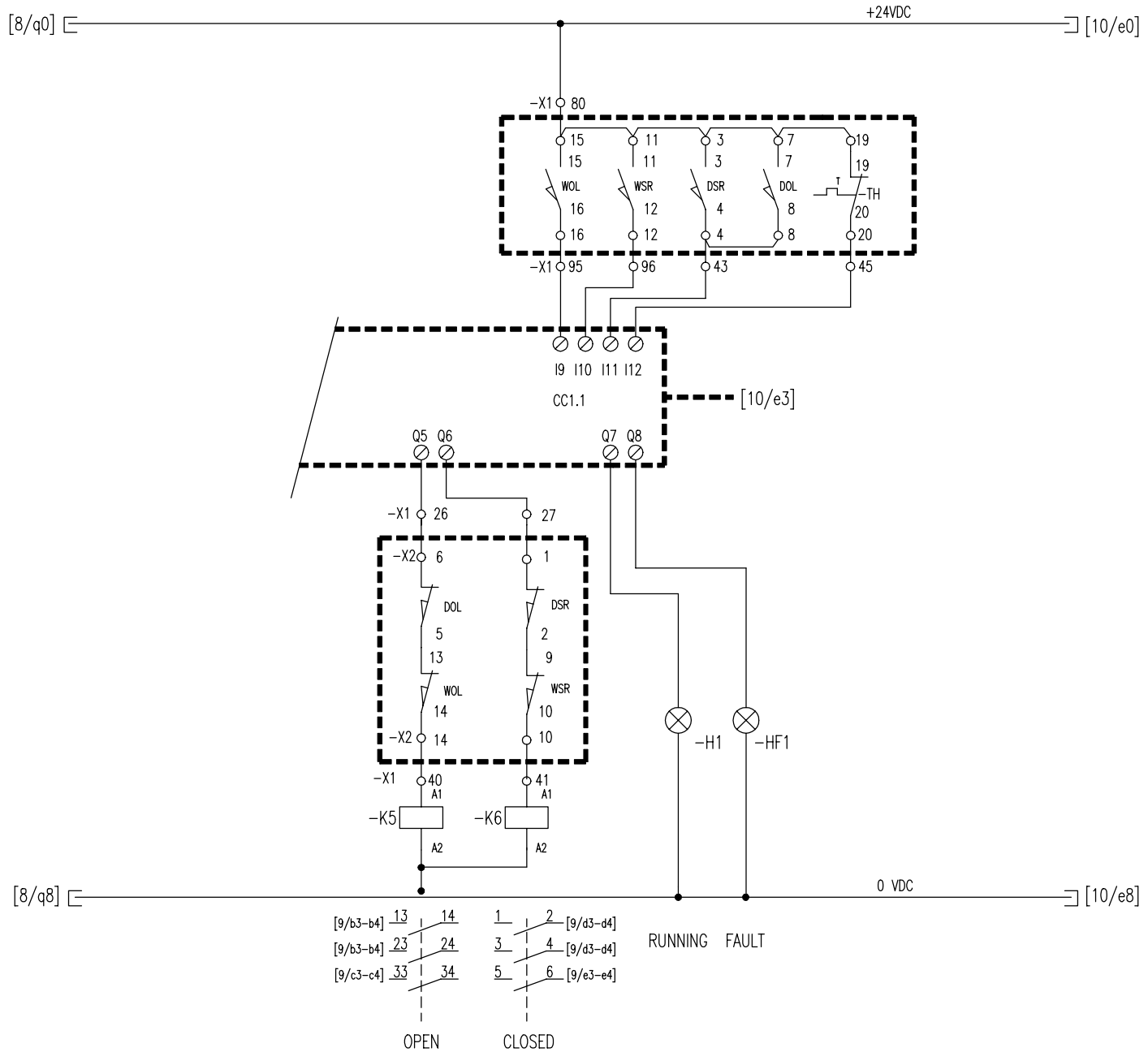
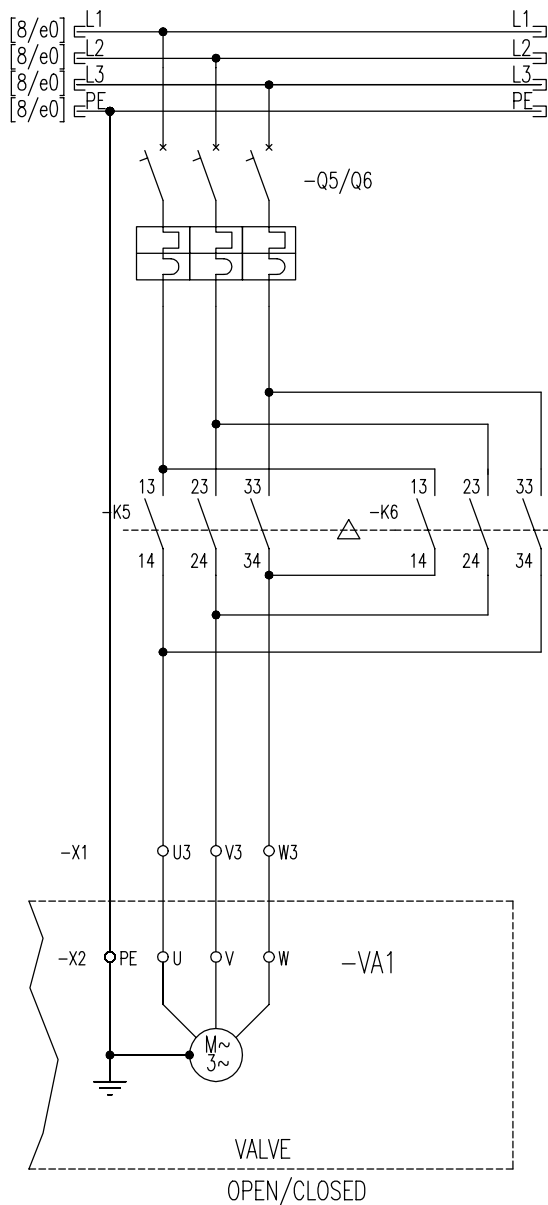
TITLE  
**MONITOR 3 MOTIONS**  
 TYPE A2-A4-A6-A8/EL

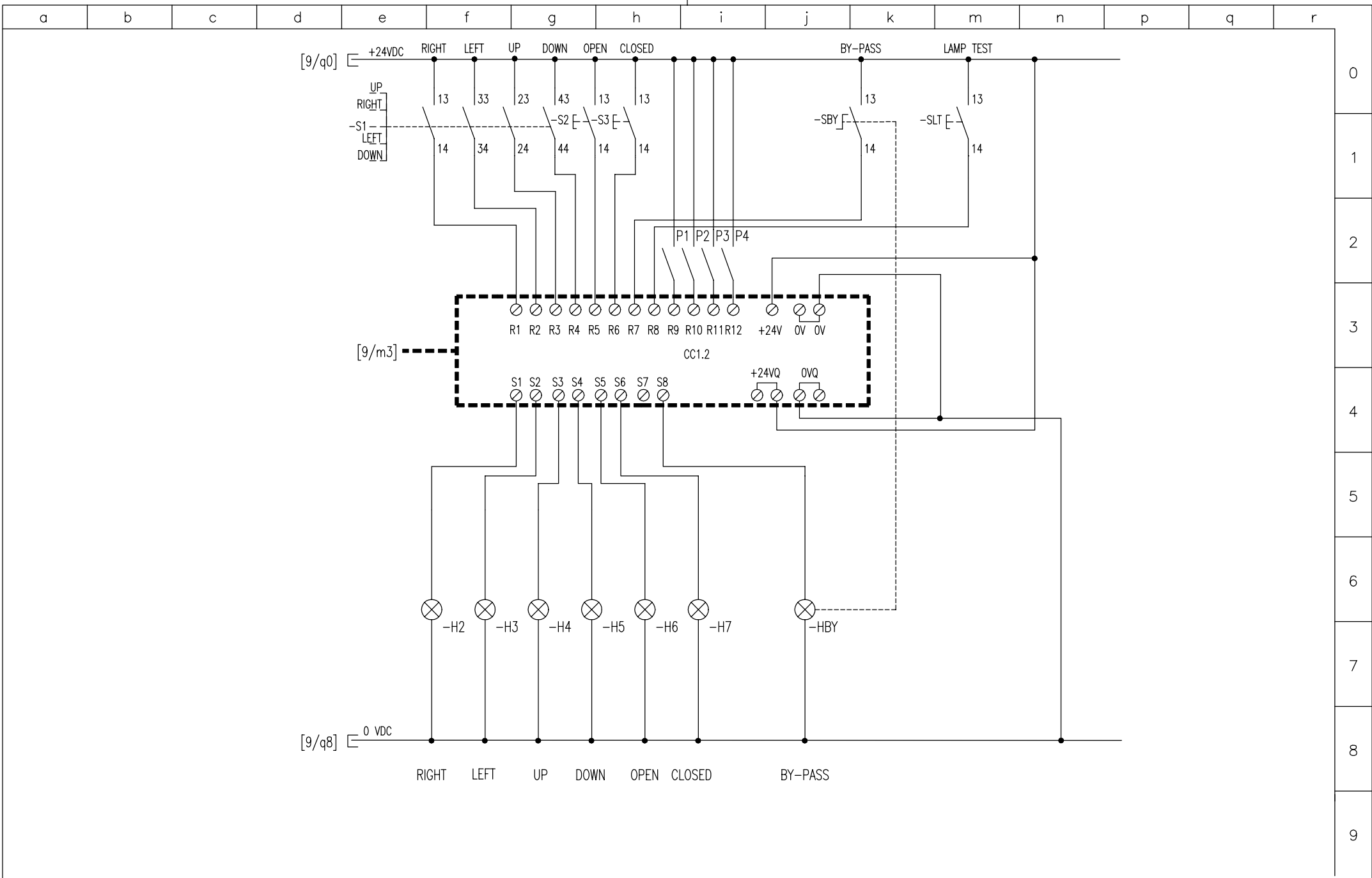
CLIENT

DATE	14.09.2001
SCALE	/
DRAWN	An.T.
0 ISSUED	14.09.01
REV.	MODIFY
DATE	APPROVED
	A.M.

DWG N° **46402111**  
 PROJECT N°  
 SHEET N. 8 OF 12







CACCIALANZA & C. s.p.a  
 ANTINCENDIO SICUREZZA ANTINQUINAMENTO  
 SEGRATE (MILANO) - ITALY

TITLE  
 MONITOR 3 MOTIONS  
 TYPE A2-A4-A6-A8/EL

CLIENT

DATE	14.09.2001
SCALE	/
DRAWN	An.T.
CHECKED	ALT.
DATE	14.09.01
APPROVED	A.M.

DWG N° 46402111

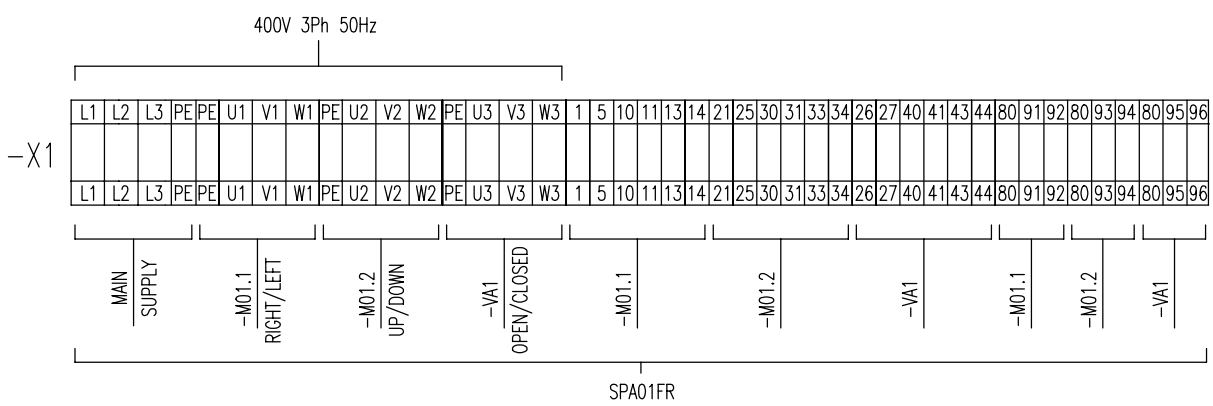
PROJECT N°

SHEET N° 10 OF 12

0  
1  
2  
3  
4  
5  
6  
7  
8  
9

a b c d e f g h i j k m n p q r

0  
1  
2  
3  
4  
5  
6  
7  
8  
9



**CACCIALANZA & C.** s.p.a.  
ANTINCENDIO SICUREZZA ANTINQUINAMENTO  
SEGRATE (MILANO) - ITALY

TITLE  
**MONITOR 3 MOTIONS**  
TYPE A2-A4-A6-A8/EL

CLIENT

			DATE	14.09.2001
			SCALE	/
			DRAWN	An.T.
0	ISSUED	14.09.01	CHECKED	ALT.
REV.	MODIFY	DATE	APPROVED	A.M.

DWG N° **46402111**

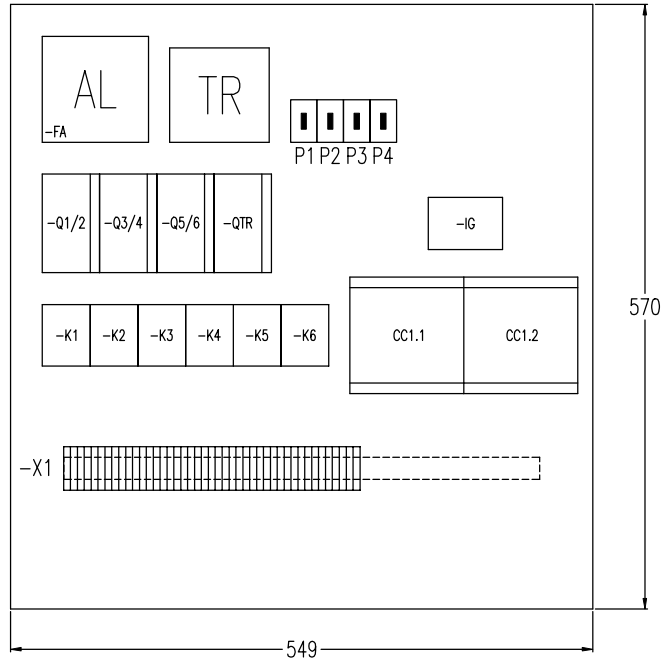
PROJECT N°

SHEET N° 11 OF 12

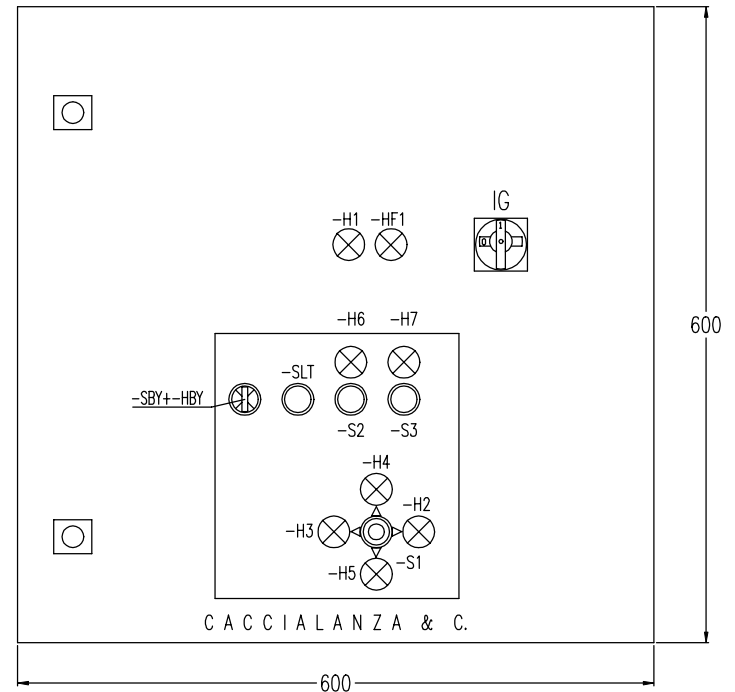
a b c d e f g h i j k m n p q r

0  
1  
2  
3  
4  
5  
6  
7  
8  
9

SPA01FR



SPA01FR



CACCIALANZA & C.

DEPTH: 210mm

**CACCIALANZA & C. s.p.a**  
 ANTINCENDIO SICUREZZA ANTINQUINAMENTO  
 SEGRATE (MILANO) - ITALY

TITLE  
**MONITOR 3 MOTIONS**  
 TYPE A2-A4-A6-A8/EL

CLIENT

DATE	14.09.2001
SCALE	/
DRAWN	An.T.
0 ISSUED	14.09.01
REV.	MODIFY
DATE	APPROVED
APPROVED	A.M.

DWG N° **46402111**  
 PROJECT N°  
 SHEET N°. 12 OF 12