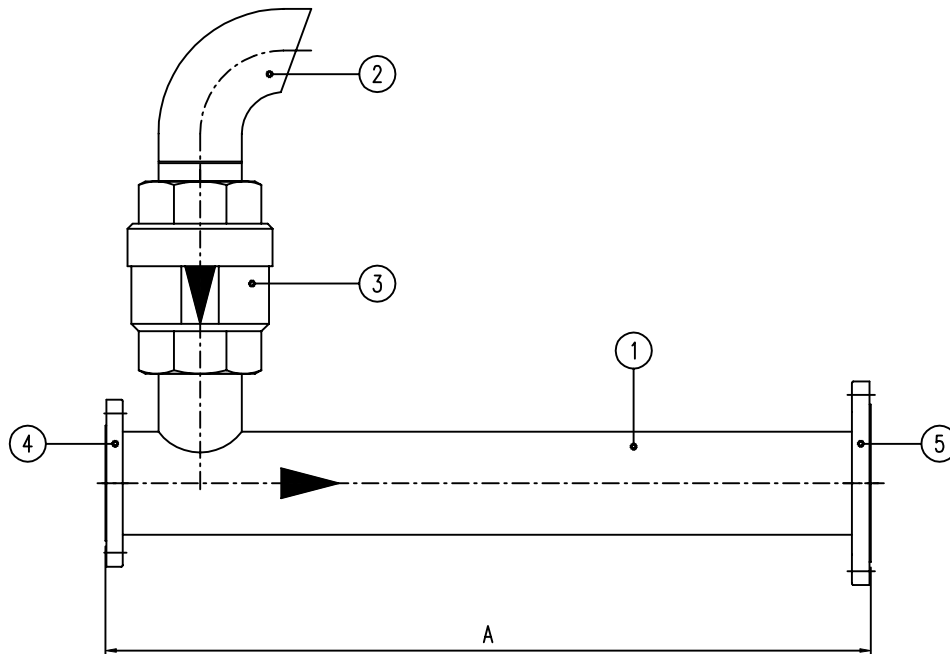


IMPORTANTE :

CACCIALANZA & C. S.p.A. si riserva il diritto di modificare senza preavviso le informazioni contenute su questa scheda con il proposito di apportare miglioramenti alla produzione

IMPORTANT :

CACCIALANZA & C. S.p.A. reserves the right to change or modify without previous notice any data or specification due to changes or modification in order to improve the products presented



| | | | | | | |
|--------------|--|---|-----------|--|-----------|------|
| HB 32 | 3.200 | 5" | DN 125 | 8" | DN 200 | 1050 |
| HB 24 | 2.400 | 5" | DN 125 | 8" | DN 200 | 1050 |
| HB 20 | 2.000 | 5" | DN 125 | 8" | DN 200 | 1050 |
| HB 16 | 1.600 | 4" | DN 100 | 6" | DN 150 | 1050 |
| HB 12 | 1.200 | 4" | DN 100 | 6" | DN 150 | 1050 |
| HB 10 | 1.000 | 3" | DN 80 | 4" | DN 100 | 850 |
| HB 8 | 800 | 3" | DN 80 | 4" | DN 100 | 850 |
| HB 4 | 400 | 2" | DN 50 | 3" | DN 80 | 650 |
| HB 2 | 200 | 2" | DN 50 | 3" | DN 80 | 650 |
| TIPO TYPE | PORTATA l/min A 5 bar FLOWRATE l/min AT 5 bar | ANSI 150 RF FLANGIA D'INGRESSO INLET FLANGE | UNI PN 16 | ANSI 150 RF FLANGIA D'USCITA OUTLET FLANGE | UNI PN 16 | A |

| Pos. | Descrizione Description | Q.ty | Materiale Material | Code Drawing | Note |
|------|------------------------------------|------|-----------------------|-----------------|------|
| 5 | FLANGIA D'USCITA OUTLET FLANGE | 1 | | | |
| 4 | FLANGIA D'INGRESSO INLET FLANGE | 1 | | | |
| 3 | VALVOLA DI RITEGNO CHECK VALVE | 1 | | | |
| 2 | PRESA ARIA AIR INTAKE | 1 | | | |
| 1 | LANCIA SCHIUMA FOAM BRANCHPIPE | 1 | | | |

| Rev. | Date | Description | Drawn | Checked | Approved |
|--|------------|--|-------|----------|-------------|
| 0 | 22.06.1999 | Emesso - Issued | MS | MB | |
| | | Client / Project | | | |
| CACCIALANZA & C. s.p.A. ANTINCENDIO SICUREZZA ANTINQUINAMENTO SEGRATE (MILANO) - ITALY | | Title LANCIA ALTA ESPANSIONE TIPO "HB" ASSIEME GENERALE HIGH EXPANSION BRANCHPIPE "HB" TYPE GENERAL ASSEMBLY | | | |
| Drawn | Date | Name | | | |
| Checked | 22.06.99 | M. BARBIERI | | | |
| Approved | | | | | |
| Code | Sys. | Size | Scale | Dwg nr. | Rev. |
| | | A3 | 1:7.5 | 19710007 | 0 |
| | | | | | Sheet of |
| | | | | | 1 1 |

THIS DRAWING IS THE PROPERTY OF CACCIALANZA & C. S.p.A. AND IS NOT TO BE REPRODUCED OR USED TO FURNISH ANY INFORMATION FOR MAKING OF DRAWINGS OR APPARATUS EXCEPT WHERE PROVIDED FOR BY AGREEMENT WITH SAID COMPANY