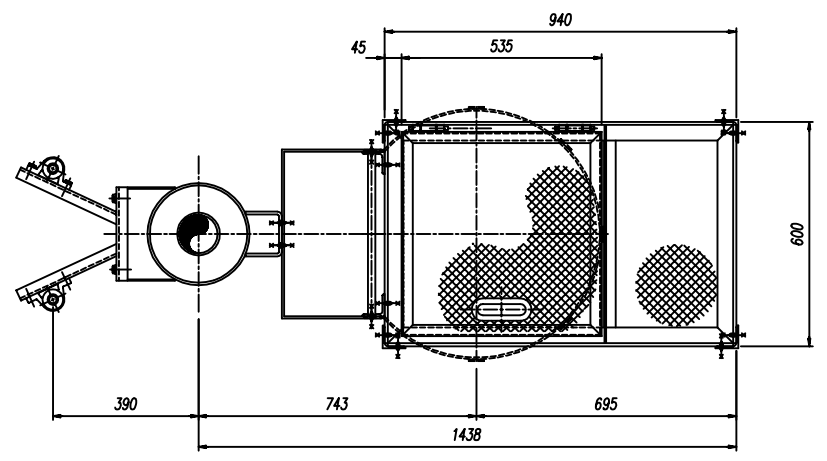
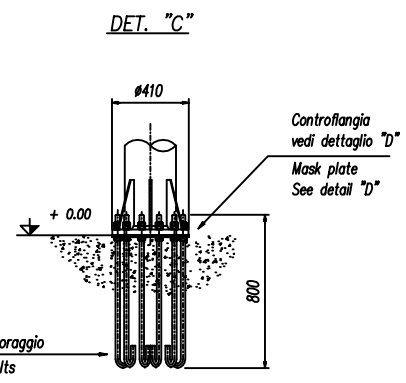


SEZIONE E-E  
SECTION E-E



SEZIONE C-C  
SECTION C-C

0	15.05.2000	Emesso - Issued		MS	MB	
Rev.	Date	Description		Drawn	Checked	Approved
CACCIALANZA & C. s.p.a. ANTINCENDIO SICUREZZA ANTINCENDIAMENTO SEGRATE (MILANO) - ITALY			Client / Project			
Date			Title			
Name			MONITORE TIPO ASC-4 CON CANNA TIPO "A" MONTATO SU PALO - ASSEMBLE GENERALE -			
M. SPADA			MONITOR ASC-4 TYPE WITH FOAM GUN "A" TYPE MOUNTED ON POLE GENERAL ASSEMBLY			
15.05.00			M. BARBERI			
Approved						
Code	Sys.	Size	Scale	Dwg nr.	Rev.	Sheet
		A2	1:20	06976615	0	1
						of
						1

THIS DRAWING IS THE PROPERTY OF CACCIALANZA & C. S.p.A. AND IS NOT TO BE REPRODUCED OR USED TO FURNISH ANY INFORMATION FOR MAKING OF DRAWINGS OR APPARATUS EXCEPT WHERE PROVIDED FOR BY AGREEMENT WITH SAID COMPANY