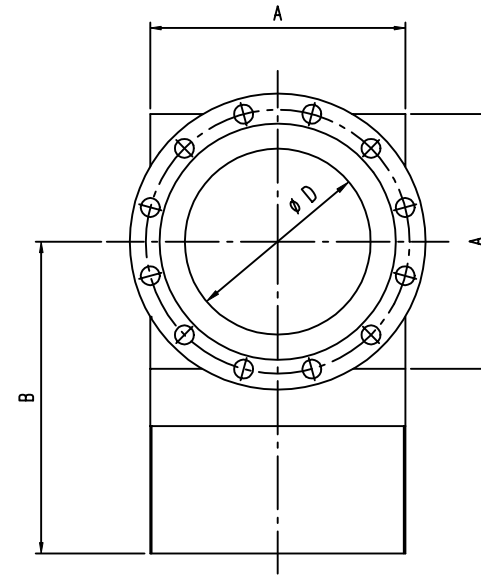
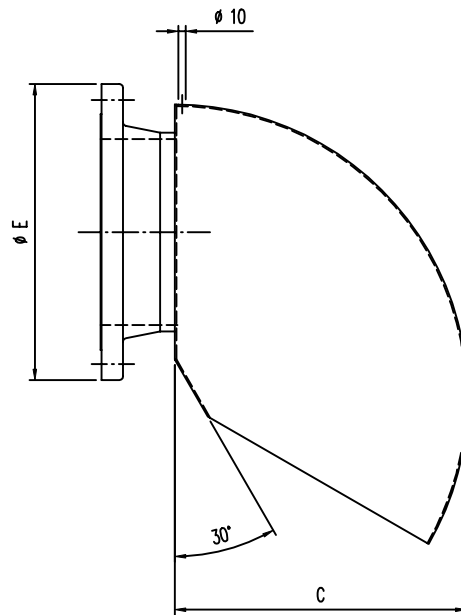


IMPORTANTE :

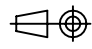
CACCIALANZA & C. S.p.A. si riserva il diritto di modificare senza preavviso le informazioni contenute su questa scheda con il proposito di apportare miglioramenti alla produzione

IMPORTANT :

CACCIALANZA & C. S.p.A. reserves the right to change or modify without previous notice any data or specification due to changes or modification in order to improve the products presented



SK 300	350	426	410	304	12"	DN 300	51	33
SK 250	350	426	410	254	10"	DN 250	37	29
SK 200	240	316	300	204	8"	DN 200	26	19
SK 150	240	316	300	150	6"	DN 150	19	15
SK 125	155	231	210	125	5"	DN 125	13	10
SK 100	155	231	210	100	4"	DN 100	11	9
SK 80	155	231	210	82	3"	DN 80	9	7
TIPO TYPE	A	B	C	ϕD	ANSI 150 FLANGIA INGRESSO INLET FLANGE	UNI PN16 ϕE	ANSI PESO WEIGHT	UNI Kg
	DIMENSIONI		DIMENSIONS					

0	18.06.1999	Emesso - Issued	MS	MB	
Rev.	Date	Description	Drawn	Checked	Approved
CACCIALANZA & C. s.p.a. <small>ANTINCENDIO SICUREZZA ANTINQUINAMENTO SEGRATE (MILANO) - ITALY</small>		Client / Project			
Drawn Checked Approved Code		Date Name M. SPADA M. BARBIERI	Title GOMITO VERSANTE TIPO "SK" ASSIEME GENERALE FOAM POURER "SK" TYPE GENERAL ASSEMBLY		
Sys. 		Size A3	Scale 1:7.5	Dwg nr. 04010013	Rev. 0 Sheet 1 of 1
THIS DRAWING IS THE PROPERTY OF CACCIALANZA & C. S.p.A. AND IS NOT TO BE REPRODUCED OR USED TO FURNISH ANY INFORMATION FOR MAKING OF DRAWINGS OR APPARATUS EXCEPT WHERE PROVIDED FOR BY AGREEMENT WITH SAID COMPANY					